



PIAGGIO & C.s.p.a.



CATALOGUS RESERVEONDERDELEN



Stelvio 1200 8V STD - NTX 2011

Voorvoegsel frame: ZGULZE00;ZGULZG00

Voorvoegsel motor:

STELVIO

GU110



Inhoudsopgave

Afgewerkte producten.....	4
Alfanumerieke inhoudsopgave.....	5
FRAME.....	12
Tafel 33.01 - Frame.....	12
Tafel 33.02 - Frame II.....	13
Tafel 33.03 - Stands.....	14
Tafel 33.04 - Front footrests.....	16
Tafel 33.05 - Rear footrests.....	17
Tafel 33.06 - Gear lever.....	18
Tafel 33.07 - Steering.....	19
Tafel 33.08 - Front fork.....	20
Tafel 33.09 - Swing arm.....	22
Tafel 33.10 - Transmission complete.....	23
Tafel 33.11 - Trans.cpl.-Cage.....	24
Tafel 33.12 - Trans.cpl.-Bevel gear.....	25
Tafel 33.13 - Connecting rod - rear shock abs.....	26
Tafel 33.14 - Fuel tank.....	27
Tafel 33.15 - Front body - Front fairing.....	28
Tafel 33.16 - Front body - Duct.....	30
Tafel 33.17 - Central body.....	32
Tafel 33.18 - Front mud.-Pillar.....	33
Tafel 33.19 - Saddle.....	34
Tafel 33.20 - Rear body I.....	35
Tafel 33.21 - Rear body II.....	36
Tafel 33.22 - Rear handle - Luggage rack.....	37
Tafel 33.23 - Dashboard.....	38
Tafel 33.24 - Handlebar - Controls.....	39
Tafel 33.25 - Front master cilinder.....	40
Tafel 33.26 - Clutch control complete.....	41
Tafel 33.27 - Oil cooler.....	42
Tafel 33.28 - Blow-by system.....	43
Tafel 33.29 - Fuel supply.....	44
Tafel 33.30 - Air box.....	45
Tafel 33.31 - Exhaust unit.....	46
Tafel 33.33 - Front wheel.....	47
Tafel 33.34 - Front brake caliper.....	48
Tafel 33.35 - Rear wheel.....	49
Tafel 33.36 - Rear master cylinder.....	50
Tafel 33.37 - Rear brake caliper.....	52
Tafel 33.39 - ABS Brake system 2010.....	53
Tafel 33.40 - Headlight/Horn.....	54
Tafel 33.41 - Taillight.....	55
Tafel 33.42 - Electrical system I.....	56



Tafel 33.43 - Electrical system II.....	58
Tafel 33.44 - Lock hardware kit.....	60
Tafel 33.45 - Plate set-decal-op.handbooks.....	61
Tafel 33.46 - Front wheel II.....	62
Tafel 33.47 - Rear wheel II.....	63
Tafel 33.66 - Special parts.....	64
ENGINE.....	65
Tafel 34.46 - Crank-case I.....	65
Tafel 34.47 - Crank-case II.....	67
Tafel 34.48 - Cylinder head - valves.....	68
Tafel 34.49 - Head cover.....	69
Tafel 34.50 - RH cylinder timing system.....	70
Tafel 34.51 - LH cylinder timing system.....	72
Tafel 34.52 - Drive shaft - Cylinder.....	74
Tafel 34.53 - Timing system.....	76
Tafel 34.54 - Lubrication.....	77
Tafel 34.55 - Oil pump.....	78
Tafel 34.56 - Oil filters.....	79
Tafel 34.57 - Clutch.....	80
Tafel 34.58 - Transmission cage.....	81
Tafel 34.59 - Gear box selector.....	82
Tafel 34.60 - Primary gear shaft.....	83
Tafel 34.61 - Driven shaft.....	84
Tafel 34.62 - Clutch shaft.....	85
Tafel 34.63 - Current generator.....	86
Tafel 34.64 - Starter motor.....	87
Tafel 34.65 - Throttle body.....	88
SPECIAL TOOLS.....	89
Tafel 36.67 - Specific tools I.....	89
Tafel 36.68 - Specific tools II.....	90



STELVIO
GU110 - Stelvio 1200 8V STD - NTX 2011

Voorvoegsel frame: ZGULZE00;ZGULZG00
Voorvoegsel motor:

Afgewerkte producten

Code	Geldigheid
GU9032759EUA00	
GU9032759EUA01	
GU9032759EUA02	
GU9032759EUA03	
GU9032760EUA00	
GU9032760EUA01	



Code	N.Tafel	Pos.	Code	N.Tafel	Pos.	Code	N.Tafel	Pos.
013763	34.54	8	843060	34.51	27	879405	34.52	26
015792	34.50	9	847180	33.42	22	879707	34.50	14
015792	34.51	9	849131	34.52	18	879707	34.51	14
018622	33.13	2	849866	34.52	23	879708	34.50	36
020470Y	36.67	5	85222R	33.24	15	879708	34.51	36
020672Y	36.67	12	85223R	33.24	16	879709	34.50	37
020673Y	36.67	16	854937	33.29	3	879709	34.51	37
020674Y	36.67	19	856152	33.43	28	879869	34.58	5
020675Y	36.67	20	859777	33.33	21	879871	34.58	1
020676Y	36.67	21	859777	33.46	17	879872	34.46	16
020677Y	36.67	1	859792	33.33	19	879874	34.46	18
020678Y	36.67	22	859792	33.46	15	879876	34.47	1
020689Y	36.67	23	872695	34.48	3	879877	34.65	8
020716Y	36.67	4	872696	34.48	4	879878	34.65	3
237553	34.55	7	872740	34.49	14	879916	34.50	13
248419	33.15	21	872741	34.49	11	879916	34.51	13
248419	33.16	11	872742	34.49	7	879936	34.50	19
248419	33.17	5	872759	34.50	8	879936	34.51	19
248419	33.18	10	872759	34.51	8	879937	34.50	20
248419	33.20	2	873626	34.49	9	879937	34.51	20
248419	33.21	2	873654	34.49	13	879938	34.50	18
248419	33.22	15	873667	34.52	2	879938	34.51	18
248419	33.23	19	873689	34.52	20	879975	34.49	3
248419	33.40	7	873690	34.52	21	879987	34.49	8
269787	33.15	4	873861	34.65	14	880123	34.49	10
285846	34.48	8	873879	34.65	7	880124	34.49	1
292022	33.40	3	873906	34.55	14	880127	34.49	15
292022	33.41	13	873928	34.53	8	880270	34.65	1
292723	33.40	2	874126	34.48	9	880398	34.46	1
319165	33.66	21	874127	34.48	5	880965	34.50	28
411209	34.46	2	874223	34.54	3	880965	34.51	28
414835	34.55	9	874238	34.54	18	883007	33.37	10
414837	34.50	17	874280	34.53	18	883009	33.33	1
414837	34.51	17	874281	34.53	11	883023	33.20	5
434947	34.54	6	874286	34.52	7	883024	33.20	4
436438	34.48	6	874287	34.52	4	883034	33.28	5
487444	34.50	23	874288	34.52	5	883035	33.28	6
487444	34.51	23	874289	34.52	6	883036	33.28	8
560110	34.46	10	874293	34.52	15	883044	33.06	9
560173	33.15	5	874482	34.55	8	883045	33.10	7
581061	33.43	9	874567	34.52	8	883046	33.10	2
581957	34.54	12	874601	34.50	26	883047	33.22	12
584332	33.40	9	874601	34.51	26	883048	33.19	9
584332	33.41	2	874621	34.52	12	883092	33.29	7
584344	33.31	24	874622	34.52	12	883093	33.29	8
598839	33.28	4	874645	34.54	9	883094	33.31	7
598839	33.35	18	874646	34.54	7	883097	33.30	12
598839	33.36	12	8746505	34.55	1	883101	33.01	20
598839	33.47	12	874655	34.54	11	883103	33.04	2
598839	34.57	4	874669	34.54	4	883107	33.04	20
639542	33.03	11	874801	34.55	10	883127	34.63	13
639687	33.42	12	874980	34.46	26	883134	33.66	14
640879	33.43	18	875243	34.52	19	883144	34.46	24
641541	34.54	16	875244	34.52	19	883148	33.42	29
642221	33.42	20	877056	34.65	17	883177	33.20	15
642233	33.42	11	877057	34.65	16	883253	33.66	10
825597	34.47	4	877062	33.30	1	883254	33.66	9
825597	34.48	11	877101	34.55	11	883433	33.35	1
825597	34.52	11	877820	34.56	6	883493	34.49	4
827018	34.48	10	878275	34.52	10	883543	33.24	11
829122	34.56	2	878339	34.52	17	883617	33.20	8
829232	34.53	13	878574	34.50	1	883633	33.29	5
829486	34.55	5	878574	34.51	1	883655	33.66	15
829661	34.55	6	8787074	34.53	15	883656	33.03	1
833520	34.50	22	878868	34.50	34	883657	33.66	7
833520	34.51	22	878868	34.51	34	883664	33.03	6
843060	34.50	27	879404	34.52	25	883768	33.23	13



Code	N.Tafel	Pos.	Code	N.Tafel	Pos.	Code	N.Tafel	Pos.
883776	33.45	11	886821	33.16	3	89763800Y02	33.16	2
883966	33.09	3	886822	33.16	4	89763800Y11	33.16	2
883969	33.66	1	886823	33.16	5	89763800YA2	33.16	2
883991	33.66	22	886824	33.16	6	897639	33.16	8
886078	33.15	13	886828	33.14	5	89763900NI	33.16	8
886079	33.15	14	886857	34.64	4	89763900Y11	33.16	8
886098	33.28	1	886905	33.45	16	897640	33.16	9
886149	33.39	3	886906	33.45	15	89764000NI	33.16	9
886159	33.24	11	886907	33.45	1	89764000Y11	33.16	9
886162	33.39	1	886911	33.43	13	897641	33.15	1
886163	33.39	5	886923	33.42	1	89764100NI	33.15	1
886164	33.39	2	886923	33.43	1	89764100Y11	33.15	1
886165	33.39	6	886929	33.66	4	897645	33.23	1
886175	33.19	6	886930	33.66	5	897886	33.41	1
88617600A2	33.19	1	886933	33.04	21	898165	33.17	1
886184	33.04	3	886944	33.45	17	89816500NI	33.17	1
886185	33.04	10	886987	33.04	1	89816600NI	33.23	2
886191	33.08	1	887029	33.40	1	89816600Y11	33.23	2
886192	33.08	23	887033	33.15	16	898169	33.05	12
886195	33.15	6	887039	33.15	24	899064	34.54	21
886196	33.15	7	887040	33.15	25	899505	33.42	1
886197	33.15	10	887067	33.34	1	899505	33.43	1
886198	33.15	11	887068	33.34	2	899522	33.40	20
886199	33.07	1	887070	33.34	3	969323	34.54	10
886199	33.08	11	887091	33.08	1	976053	34.57	2
886201	33.13	1	887092	33.08	23	976311	34.52	12
886202	33.07	2	887095	33.14	9	976312	34.52	9
886202	33.08	13	887123	34.54	22	976330	34.53	1
886205	33.20	9	887134	33.15	3	976331	34.53	4
886206	33.20	6	887174	33.15	2	976334	34.53	9
886207	33.20	7	887319	33.08	8	976337	34.50	33
88621100A2	33.19	4	887320	33.08	10	976337	34.51	33
886229	33.24	6	890513	33.30	4	976338	34.50	32
886234	33.24	10	894704	33.33	10	976338	34.51	32
886236	33.15	15	894704	33.35	19	976341	34.50	31
88625400BM	33.18	1	894704	33.46	20	976341	34.51	31
88625400NI	33.18	1	894704	33.47	13	976342	34.52	22
88625400Y02	33.18	1	895351	33.39	4	976350	34.50	25
88625400YA2	33.18	1	895481	33.42	17	976350	34.51	25
886255	34.63	1	896011	33.33	12	976351	34.62	1
886307	33.31	15	896011	33.46	7	976355	34.53	6
886311	33.33	24	896012	33.33	11	976376	33.31	3
886311	33.46	9	896012	33.46	8	976381	34.53	2
886312	33.35	8	896110	33.31	12	976478	34.47	9
886312	33.47	2	896540	34.65	20	976481	34.57	7
886315	33.08	5	896715	33.42	19	976484	34.57	8
886316	33.08	15	897241	33.45	7	976488	34.53	3
886317	33.08	7	897618	33.29	4	976498	34.65	5
886318	33.08	20	897622	33.31	1	976521	33.31	14
886319	33.08	8	897623	33.31	2	976532	34.62	4
886320	33.08	10	897624	33.31	8	976533	34.62	3
886321	33.08	9	897629	33.46	1	976535	34.57	5
886322	33.08	26	897631	33.47	1	976538	34.53	10
886323	33.08	21	897634	33.42	2	976554	34.47	5
886324	33.08	14	897635	33.14	1	976556	33.42	27
886325	33.40	12	89763500BM	33.14	1	976559	34.49	12
886326	33.03	10	89763500NI	33.14	1	976560	34.49	6
886329	33.18	3	89763500Y02	33.14	1	976564	34.57	10
886339	33.28	17	89763500YA2	33.14	1	976566	34.65	6
88662300YE2	33.01	1	897636	33.29	1	976570	33.10	1
886646	33.02	1	897637	33.16	1	976581	33.12	1
886647	33.20	1	89763700BM	33.16	1	976589	34.50	11
886738	33.66	8	89763700Y02	33.16	1	976589	34.51	11
886739	33.66	19	89763700Y11	33.16	1	976591	34.49	2
886740	33.66	2	89763700YA2	33.16	1	976592	34.54	5
886741	33.66	20	897638	33.16	2	976593	34.57	12
886819	33.23	6	89763800BM	33.16	2	976594	34.57	12



Code	N.Tafel	Pos.	Code	N.Tafel	Pos.	Code	N.Tafel	Pos.
976595	34.57	12	978816	33.35	3	AP8113993	33.26	4
976596	34.57	12	978821	33.24	2	AP8113995	33.25	3
976597	34.54	19	978841	33.01	4	AP8113997	33.26	5
976614	33.15	26	978846	33.27	5	AP8113998	33.26	6
976614	33.23	3	978864	33.33	5	AP8117200	34.64	5
976625	34.54	14	978874	33.01	6	AP8118579	33.24	7
976635	34.56	8	978882	33.45	6	AP8120001	33.19	2
976636	34.56	7	978895	34.54	1	AP8120030	33.27	4
976649	34.53	17	978911	33.26	7	AP8120030	33.28	3
976665	34.53	16	978984	33.01	7	AP8120030	33.30	14
976674	34.50	24	981007	34.52	13	AP8120030	33.39	11
976674	34.51	24	981008	34.52	1	AP8120030	33.40	6
976680	34.54	15	981009	34.52	3	AP8120030	33.42	14
976681	34.54	17	981010	34.65	2	AP8120178	33.36	13
976695	34.57	1	981024	33.08	16	AP8120428	33.03	22
976696	34.57	14	981025	33.08	17	AP8120485	33.12	7
976703	34.46	19	981026	33.08	18	AP8120622	33.15	8
976985	34.58	17	981027	33.08	19	AP8120831	33.04	11
9769865	34.46	30	981033	33.08	22	AP8120831	33.04	4
977041	33.36	14	981046	33.26	2	AP8120876	33.15	23
977056	33.35	15	981050	33.25	2	AP8120876	33.30	20
977056	33.47	5	981073	33.66	3	AP8120912	33.06	3
977303	33.45	4	981074	33.66	6	AP8120912	33.36	20
977582	33.31	20	981087	33.23	18	AP8120952	34.58	16
977666	33.44	1	981087	33.44	7	AP8120965	33.14	10
977681	33.15	12	AP4ADN000007	34.46	20	AP8121032	33.39	13
977795	33.41	12	AP8101372	33.14	6	AP8121032	34.64	7
977916	33.43	3	AP8101586	33.28	15	AP8121072	33.31	19
977918	33.44	6	AP8101595	33.30	19	AP8121096	33.18	12
978002	33.03	7	AP8101595	33.36	5	AP8121098	33.12	6
978030	33.33	15	AP8101595	34.58	15	AP8121133	33.05	6
978030	33.46	12	AP8101744	33.33	7	AP8121155	33.13	10
978040	33.24	1	AP8101861	33.05	7	AP8121205	33.07	9
978042	33.24	4	AP8102349	33.28	7	AP8121207	33.07	4
978059	33.24	18	AP8102381	33.15	22	AP8121218	33.10	4
978152	33.17	3	AP8102381	33.16	12	AP8121221	33.06	2
978152	33.42	3	AP8102381	33.40	18	AP8121221	33.36	19
978220	33.44	5	AP8102503	33.14	11	AP8121223	33.06	6
978301	33.35	14	AP8102523	33.19	12	AP8121223	33.36	24
978350	33.09	1	AP8102524	33.03	17	AP8121467	33.03	2
978414	33.37	1	AP8102764	33.28	14	AP8121567	33.04	8
978425	33.21	1	AP8102765	33.28	11	AP8121567	33.05	4
978427	33.40	10	AP8102913	33.19	7	AP8121795	33.42	4
978428	33.40	8	AP8104329	33.30	2	AP8121819	33.66	12
97843900Y10	33.22	1	AP8104572	33.24	8	AP8121882	33.23	16
978444	33.31	22	AP8104627	33.66	11	AP8121890	33.22	10
978445	33.18	1	AP8104803	33.14	3	AP8121994	33.03	14
978449	33.23	5	AP8104921	33.24	13	AP8123206	33.08	3
978464	33.34	1	AP8104922	33.24	14	AP8123641	33.07	7
978465	33.34	2	AP8110066	33.13	5	AP8123642	33.07	5
978516	33.33	4	AP8110068	33.13	6	AP8123643	33.07	3
978516	33.46	2	AP8110077	33.07	8	AP8123644	33.07	6
978526	33.01	14	AP8112811	33.43	4	AP8124421	33.14	8
978579	33.27	1	AP8112996	33.36	27	AP8124768	33.43	12
978606	33.25	1	AP8113003	33.26	8	AP8124936	33.43	8
978607	33.26	1	AP8113003	33.39	7	AP8125773	33.33	3
978647	33.45	8	AP8113004	33.26	9	AP8125773	33.46	4
978739	34.57	3	AP8113004	33.37	6	AP8125777	33.33	2
978776	33.18	5	AP8113004	33.39	8	AP8125777	33.46	3
978777	33.18	4	AP8113070	33.34	5	AP8126701	33.19	3
978784	33.25	6	AP8113070	33.37	9	AP8127098	33.41	6
978810	33.33	6	AP8113070	33.39	10	AP8128189	33.33	13
978810	33.35	5	AP8113081	33.36	16	AP8128189	33.46	14
978811	33.33	8	AP8113082	33.36	17	AP8133595	33.37	8
978811	33.35	6	AP8113288	33.36	3	AP8133597	33.37	7
978814	33.35	4	AP8113594	33.36	2	AP8133779	33.36	6
978815	33.35	2	AP8113993	33.25	5	AP8133945	33.34	4



Code	N.Tafel	Pos.	Code	N.Tafel	Pos.	Code	N.Tafel	Pos.
AP8133945	33.39	9	AP8152287	33.03	24	AP8221128	33.18	7
AP8133962	33.25	7	AP8152288	33.01	8	AP8221145	33.36	11
AP8133962	33.37	11	AP8152291	34.46	29	AP8221204	33.03	18
AP8134276	33.04	5	AP8152298	33.07	13	AP8221211	33.03	19
AP8134378	33.31	17	AP8152299	33.40	14	AP8221277	33.04	6
AP8134448	33.21	4	AP8152300	33.02	3	AP8221307	33.01	11
AP8134451	33.05	5	AP8152300	33.03	27	AP8221310	33.43	19
AP8134948	33.19	11	AP8152300	33.04	13	AP8221317	33.03	4
AP8135608	33.13	8	AP8152301	33.13	11	AP8221318	33.03	5
AP8135924	33.13	4	AP8152301	33.31	11	AP8224164	33.21	5
AP8140146	36.68	10	AP8152302	33.15	27	AP8224462	33.42	35
AP8140149	36.68	11	AP8152302	33.16	15	AP9100765	33.43	27
AP8140179	36.67	11	AP8152302	33.18	2	AP9100838	36.67	3
AP8140190	36.68	1	AP8152302	33.20	16	AP9100855	33.08	25
AP8140758	36.68	9	AP8152302	33.21	3	AP9100856	33.08	6
AP8144007	33.06	7	AP8152302	33.22	16	AP9150472	34.54	23
AP8144007	33.36	25	AP8152302	33.41	3	B013036	34.57	9
AP8144038	33.30	18	AP8152306	33.21	7	B0133785	34.52	14
AP8144065	33.16	14	AP8152306	33.41	11	B013479	34.50	29
AP8144071	33.31	18	AP8152306	33.42	34	B013479	34.51	29
AP8144164	33.30	8	AP8152318	33.09	2	B013517	34.48	7
AP8150046	34.47	10	AP8152320	33.37	2	B013552	34.50	21
AP8150220	33.08	4	AP8152325	33.24	5	B013552	34.51	21
AP8150255	33.23	8	AP8152329	33.20	10	B013603	34.50	12
AP8150285	33.14	4	AP8152329	33.30	5	B013603	34.51	12
AP8150292	33.03	16	AP8152329	33.36	10	B013605	34.50	15
AP8150292	33.13	13	AP8152339	33.16	10	B013605	34.51	15
AP8150342	33.24	9	AP8152339	33.17	2	B013661	34.50	16
AP8150342	33.66	13	AP8152339	33.18	9	B013661	34.51	16
AP8150413	33.23	17	AP8152339	33.20	3	B013807	34.48	2
AP8150421	33.16	7	AP8152384	33.07	10	B013808	34.48	1
AP8150421	33.23	20	AP8152396	33.13	16	B013845	34.51	7
AP8150421	33.30	9	AP8152397	33.13	9	B013847	34.50	7
AP8150432	33.01	13	AP8152409	33.04	9	B014058	34.50	5
AP8150450	33.16	13	AP8152409	33.05	9	B014058	34.51	5
AP8150454	33.14	13	AP8152410	33.10	3	B014059	34.50	4
AP8150462	33.06	5	AP8152410	33.31	9	B014059	34.51	4
AP8150462	33.36	22	AP8152414	33.34	9	B014205	34.50	6
AP8150509	33.22	13	AP8152482	33.13	15	B014205	34.51	6
AP8150509	33.23	9	AP8157631	33.45	9	B014576	34.50	10
AP8152001	33.03	15	AP8158359	33.29	2	B014576	34.51	10
AP8152043	33.23	14	AP8161254	33.08	24	B014596	34.50	2
AP8152147	33.13	12	AP8163094	33.08	27	B014596	34.51	2
AP8152154	33.22	9	AP8163095	33.08	30	B014597	34.50	3
AP8152166	34.53	7	AP8163096	33.08	29	B014597	34.51	3
AP8152238	33.23	11	AP8163097	33.08	28	CM013202	33.43	26
AP8152242	33.10	5	AP8178918	33.03	3	CM074706	34.65	4
AP8152268	33.21	6	AP8201417	33.39	15	CM225603	33.43	23
AP8152272	33.35	11	AP8201727	33.43	25	CM225605	33.43	24
AP8152272	33.47	7	AP8201749	33.33	22	CM225610	33.43	21
AP8152273	33.33	20	AP8201749	33.46	18	CM225615	33.43	22
AP8152273	33.46	16	AP8201808	33.37	13	CM225720	33.43	20
AP8152277	33.04	7	AP8202238	33.37	12	CM225730	33.43	5
AP8152277	33.05	13	AP8220150	33.23	7	CM225740	33.43	6
AP8152277	33.05	8	AP8220162	33.28	13	CM2270055	33.42	2
AP8152277	33.39	14	AP8220263	33.14	12	GU00823923140	33.03	23
AP8152278	33.15	19	AP8220263	33.20	12	GU00823955080	33.28	12
AP8152279	33.02	4	AP8220283	33.42	30	GU01003651	34.46	15
AP8152279	33.36	4	AP8220346	33.31	10	GU01154230	33.28	10
AP8152279	33.40	13	AP8220526	33.30	13	GU01154230	34.46	11
AP8152279	33.42	13	AP8220546	33.42	16	GU01154230	34.54	2
AP8152280	33.14	7	AP8221023	33.27	3	GU01161331	33.28	9
AP8152280	33.20	13	AP8221023	33.30	17	GU01161331	34.54	13
AP8152280	33.27	2	AP8221023	33.39	12	GU01528930	33.11	8
AP8152280	33.30	16	AP8221023	33.40	5	GU01528930	34.46	23
AP8152286	33.33	14	AP8221023	33.42	15	GU01528930	34.58	9
AP8152286	33.46	10	AP8221036	33.07	14	GU01530588	33.08	2



Code	N.Tafel	Pos.	Code	N.Tafel	Pos.	Code	N.Tafel	Pos.
GU01603480	33.24	12	GU05351230	33.11	2	GU06677000	33.36	18
GU01609630	33.24	17	GU05352430	33.12	2	GU06704700	33.20	11
GU01612190	33.33	16	GU05358030	33.11	6	GU06747900	33.43	7
GU01612190	33.46	11	GU05358130	33.11	5	GU06765500	33.23	15
GU01654630	33.34	3	GU05358230	33.11	7	GU06917300	33.45	3
GU01659130	33.34	6	GU05358330	33.11	1	GU06917400	33.45	2
GU01659131	33.34	7	GU05358530	33.11	15	GU10528900	33.11	13
GU01721600	33.42	21	GU05358630	33.11	16	GU12006400	34.54	20
GU01722700	33.42	23	GU05429630	33.03	9	GU12018900	34.46	6
GU01722701	33.42	23	GU05466630	33.22	5	GU12022600	34.46	31
GU01722702	33.42	23	GU05466631	33.22	6	GU12154200	34.58	11
GU01722703	33.42	23	GU05466830	33.19	10	GU12911801	36.67	10
GU01722704	33.42	23	GU05466830	33.44	4	GU12912000	36.67	8
GU01722705	33.42	23	GU05547030	33.09	6	GU12913600	36.67	17
GU01929100	36.67	7	GU05547130	33.09	5	GU14018400	33.10	8
GU03013800	33.22	14	GU05547930	33.09	8	GU14085900	34.57	11
GU03013800	34.55	12	GU05560330	33.13	3	GU14086000	34.57	13
GU03013800	34.64	9	GU05562030	33.13	7	GU14217901	33.15	20
GU03469201	34.64	8	GU05562430	33.13	14	GU14433400	34.53	12
GU03604845	33.26	3	GU05606630	33.26	10	GU14609650	33.03	29
GU03617710	33.46	5	GU05632730	33.35	12	GU14609650	33.42	32
GU03617710	33.47	9	GU05632730	33.47	3	GU14609650	33.43	18
GU03749845	33.25	9	GU05635730	33.35	9	GU14615901	33.01	16
GU05001630	34.47	12	GU05635730	33.47	6	GU14615901	33.03	25
GU05002130	34.47	3	GU05638130	33.12	9	GU14615901	33.04	14
GU05003630	34.46	17	GU05654630	33.37	3	GU14615901	33.15	17
GU05005730	34.56	4	GU05658431	33.07	12	GU14615901	33.22	4
GU05103930	33.14	2	GU05659030	33.37	5	GU14615901	33.31	5
GU05103930	33.44	2	GU05659130	33.37	4	GU14615901	34.46	5
GU05128230	33.31	13	GU05661130	33.25	4	GU14616150	33.33	18
GU05152230	34.56	3	GU05663530	33.36	7	GU14616150	33.35	10
GU05204930	34.58	8	GU05666030	33.36	9	GU14616150	33.46	6
GU05206530	33.11	12	GU05666930	33.36	1	GU14616150	33.47	8
GU05210631	34.60	1	GU05681530	33.35	13	GU14912603	36.67	24
GU05211331	34.60	10	GU05681530	33.47	10	GU14927100	36.67	9
GU05211431	34.60	7	GU05683730	33.35	17	GU17661052	33.36	8
GU05212031	34.60	4	GU05683730	33.47	11	GU17947560	36.67	15
GU05212631	34.60	9	GU05701430	34.63	7	GU18144350	34.55	4
GU05213631	34.61	1	GU05702530	34.63	6	GU18144350	34.56	13
GU05214031	34.61	7	GU05704531	33.43	2	GU18144350	34.58	7
GU05214231	34.61	3	GU05716730	33.42	7	GU19002020	34.58	14
GU05214431	34.61	12	GU05730730	34.64	1	GU19149800	33.01	10
GU05214630	34.60	5	GU05782530	33.23	10	GU19207220	34.58	10
GU05214630	34.61	5	GU05782530	33.44	3	GU19927100	36.67	18
GU05214731	34.61	9	GU05900130	33.45	14	GU19929600	36.67	14
GU05215031	34.61	10	GU05902530	36.67	13	GU25656100	33.25	8
GU05215631	34.60	2	GU05902730	36.68	7	GU25656100	33.34	8
GU05220531	34.61	11	GU05902731	36.68	4	GU28576591	33.01	18
GU05230531	34.59	18	GU05902732	36.68	2	GU28576591	33.27	7
GU05230831	34.59	21	GU05902733	36.68	3	GU28576591	33.28	16
GU05232431	34.59	19	GU05902734	36.68	6	GU28576591	33.31	23
GU05232631	34.59	20	GU05902735	36.68	5	GU28576592	33.01	19
GU05234130	34.59	11	GU05902736	36.68	8	GU28576592	33.02	6
GU05234230	34.59	12	GU05911730	36.67	2	GU28576592	33.20	14
GU05234431	34.59	1	GU05927230	36.67	6	GU28576592	33.36	28
GU05234631	34.59	2	GU05944530	33.45	13	GU29722760	33.42	23
GU05234731	34.59	10	GU05944930	33.45	10	GU29729461	33.42	26
GU05234931	34.59	13	GU06113700	33.30	7	GU29732550	33.42	18
GU05235531	34.59	3	GU06114200	33.30	6	GU30027931	33.30	11
GU05236231	34.59	7	GU06123500	33.31	6	GU30150900	34.56	9
GU05238131	34.59	15	GU06250900	33.06	1	GU30153000	34.56	1
GU05238231	34.59	8	GU06409800	33.01	17	GU30158900	34.55	3
GU05238331	34.59	14	GU06412300	33.28	2	GU30158900	34.56	12
GU05238431	34.59	9	GU06609600	33.42	31	GU30217900	33.01	3
GU05239330	34.59	17	GU06609600	33.43	17	GU30217900	33.03	21
GU05256930	33.06	10	GU06616300	33.33	17	GU30434000	33.36	23
GU05326330	33.10	6	GU06616300	33.46	13	GU30611460	33.47	7



Code	N.Tafel	Pos.	Code	N.Tafel	Pos.	Code	N.Tafel	Pos.
GU30714201	34.63	9	GU92252029	34.61	4	GU98084425	34.46	12
GU30716500	33.42	6	GU92605408	34.63	12	GU98230510	34.49	5
GU30729330	33.30	3	GU92606206	33.36	15	GU98230612	34.57	6
GU30944300	33.45	5	GU92606516	34.63	8	GU98230625	33.39	16
GU30970200	33.45	12	GU92609408	33.43	11	GU98230820	33.22	7
GU31003766	33.11	9	GU92630104	33.42	10	GU98230850	34.63	11
GU31003766	34.46	22	GU92630707	33.06	11	GU98231235	33.03	20
GU31003766	34.58	13	GU92630708	33.66	18	GU98250635	33.22	11
GU31159050	34.55	2	GU92650036	33.30	15	GU98257618	33.15	9
GU31159050	34.56	14	GU92650138	33.31	21	GU98350210	33.43	14
GU32441210	33.05	3	GU92660012	34.63	5	GU98350310	34.52	24
GU32442310	33.05	1	GU92660021	33.31	4	GU98350310	34.65	11
GU32442710	33.05	10	GU92660021	34.46	8	GU98350315	34.53	5
GU32443210	33.05	2	GU92787205	33.43	16	GU98350320	33.39	17
GU32443211	33.05	11	GU93180072	33.41	14	GU98350416	33.18	11
GU32461610	33.19	5	GU93180220	34.58	3	GU98350425	33.18	8
GU32474710	33.41	10	GU93242015	33.03	28	GU98350430	33.22	8
GU49609601	33.33	23	GU93301313	33.30	10	GU98370412	33.25	10
GU49609601	33.35	20	GU93304360	33.42	32	GU98370609	34.64	6
GU49609601	33.42	32	GU93304390	33.09	4	GU98370616	34.58	4
GU49609601	33.43	18	GU93304390	33.31	25	GU98370625	33.19	8
GU49609601	33.46	19	GU93304390	33.42	32	GU98612216	33.03	12
GU49609601	33.47	14	GU93304390	33.43	18	GU98620335	34.46	14
GU4FAN000030	34.63	10	GU93305061	34.65	13	GU98620335	34.47	15
GU61270300	34.46	13	GU93306050	34.65	18	GU98620445	34.63	3
GU90271014	34.59	16	GU94321077	34.56	10	GU98620485	33.04	19
GU90271022	34.59	4	GU95005306	34.55	13	GU98620560	34.63	4
GU90271030	34.60	8	GU95005308	33.66	17	GU98622214	34.50	30
GU90271030	34.61	8	GU95005310	33.15	18	GU98622214	34.51	30
GU90271230	34.60	6	GU950053130	33.66	23	GU98680125	33.40	19
GU90271230	34.61	6	GU95008204	33.42	9	GU98680222	33.29	6
GU90273026	33.12	8	GU95008205	33.40	17	GU98680225	33.40	4
GU90353014	34.59	22	GU95008205	33.41	8	GU98680225	33.41	7
GU90401424	34.58	12	GU95008205	33.42	25	GU98680340	33.27	6
GU90404558	33.12	3	GU95008205	33.43	15	GU98680340	34.46	28
GU90405367	34.46	4	GU95008206	34.56	11	GU98680360	34.46	21
GU90408511	33.11	10	GU95008206	34.65	10	GU98680435	33.04	12
GU90412237	34.47	2	GU95008208	34.64	3	GU98680440	33.02	2
GU90412541	34.61	14	GU95008210	33.06	8	GU98680450	33.11	11
GU90706061	33.33	9	GU95008305	34.65	19	GU98680460	33.04	18
GU90706061	33.35	7	GU95008310	33.36	26	GU98680460	33.31	16
GU90706151	34.56	5	GU95008313	33.01	5	GU98680465	33.04	17
GU90706178	34.46	25	GU95020105	33.03	13	GU98680480	33.04	15
GU90706203	34.46	32	GU95021104	33.25	11	GU98682116	33.40	11
GU90706347	34.47	8	GU95021206	33.36	29	GU98682125	33.42	8
GU90718120	33.11	3	GU95100059	33.41	5	GU98682212	33.42	24
GU91120507	33.40	16	GU95100059	33.42	33	GU98682212	34.65	15
GU91120507	33.41	9	GU95100116	34.52	16	GU98682316	33.06	4
GU91120606	34.47	13	GU95100116	34.65	12	GU98682316	33.36	21
GU91120607	34.47	7	GU95100141	33.02	5	GU98682316	34.47	14
GU91180600	33.17	4	GU95129100	33.40	15	GU98682320	33.06	12
GU91180601	33.23	4	GU95129100	34.50	35	GU98682320	34.47	6
GU91180823	34.63	2	GU95129100	34.51	35	GU98682325	33.09	9
GU91551010	33.18	6	GU95129131	33.43	10	GU98682330	34.47	11
GU91600365	34.53	19	GU95129240	33.01	12	GU98682416	33.22	3
GU91600450	34.53	14	GU95510620	33.11	4	GU98682425	33.04	16
GU92201025	34.59	6	GU95512081	34.46	9	GU98682425	33.22	2
GU92201117	34.59	5	GU95980216	34.46	27	GU98682430	33.07	11
GU92201226	34.61	13	GU95980319	34.58	6	GU98682430	33.08	12
GU92201226	34.62	2	GU96508066	34.46	3	GU98682430	33.23	12
GU92201822	34.60	11	GU96508075	34.46	7	GU98682530	33.03	8
GU92201822	34.61	2	GU97202355	34.58	2	GU98682650	33.01	2
GU92204230	33.12	5	GU97202435	33.03	26	GU98683520	33.42	28
GU92208518	33.12	4	GU97202665	33.35	16	GU98690245	33.42	5
GU92232028	34.62	5	GU97202665	33.47	4	GU98692210	33.41	4
GU92249224	33.09	7	GU98054520	33.01	9	GU98692414	33.01	15
GU92252029	34.60	3	GU98082475	34.64	2	GU98692420	33.66	16

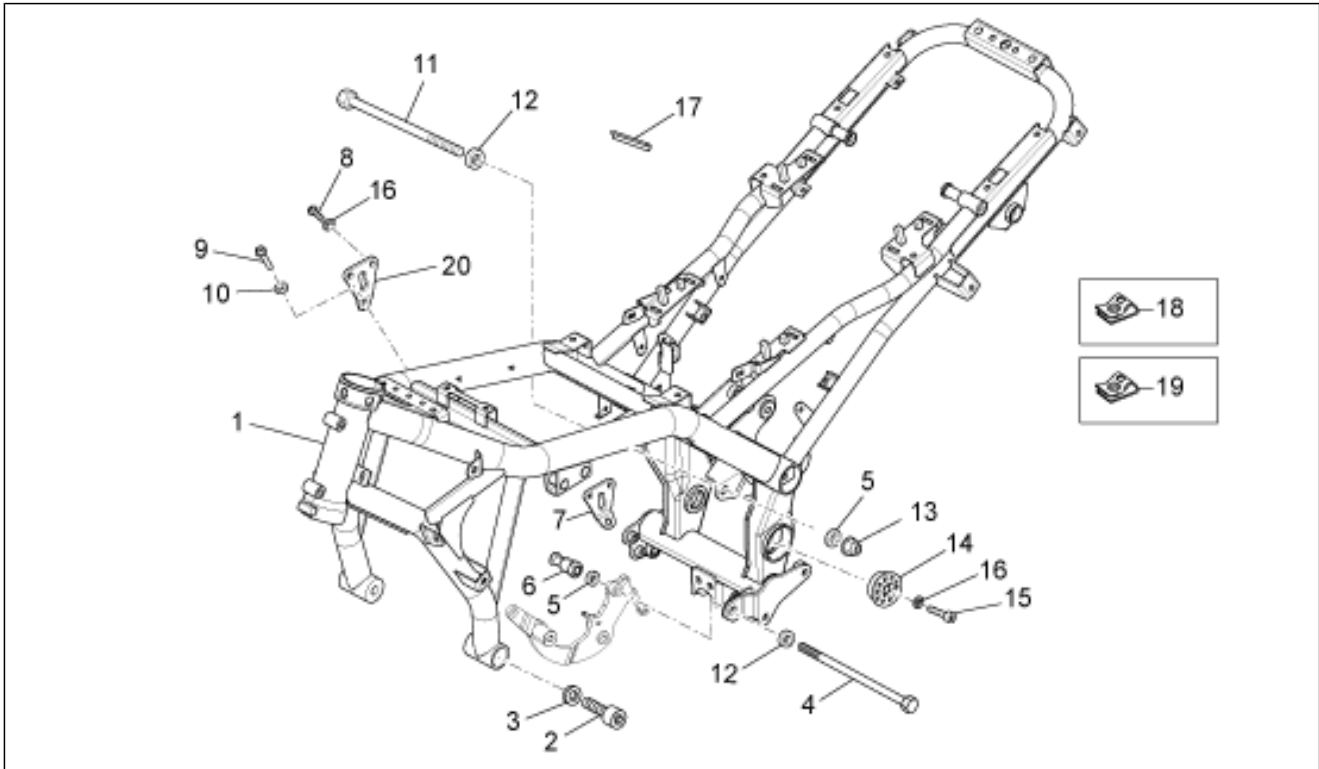


STELVIO
GU110 - Stelvio 1200 8V STD - NTX 2011

Voorvoegsel frame: ZGULZE00;ZGULZG00
Voorvoegsel motor:

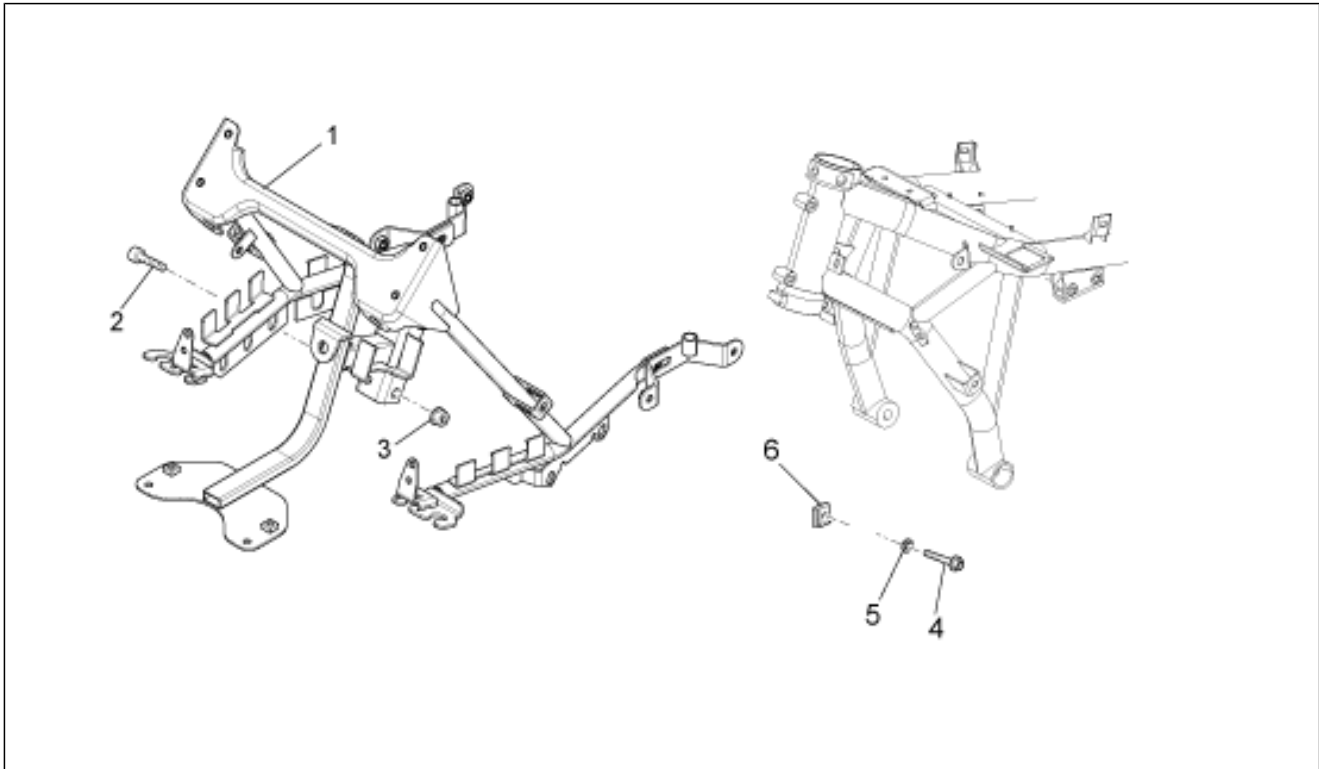
Code	N.Tafel	Pos.
GU98700430	33.24	3
GU98882325	34.65	9
GU99210406	33.11	14

Groep	FRAME
Code	33.01
Beschrijving	Frame
Revisie	1



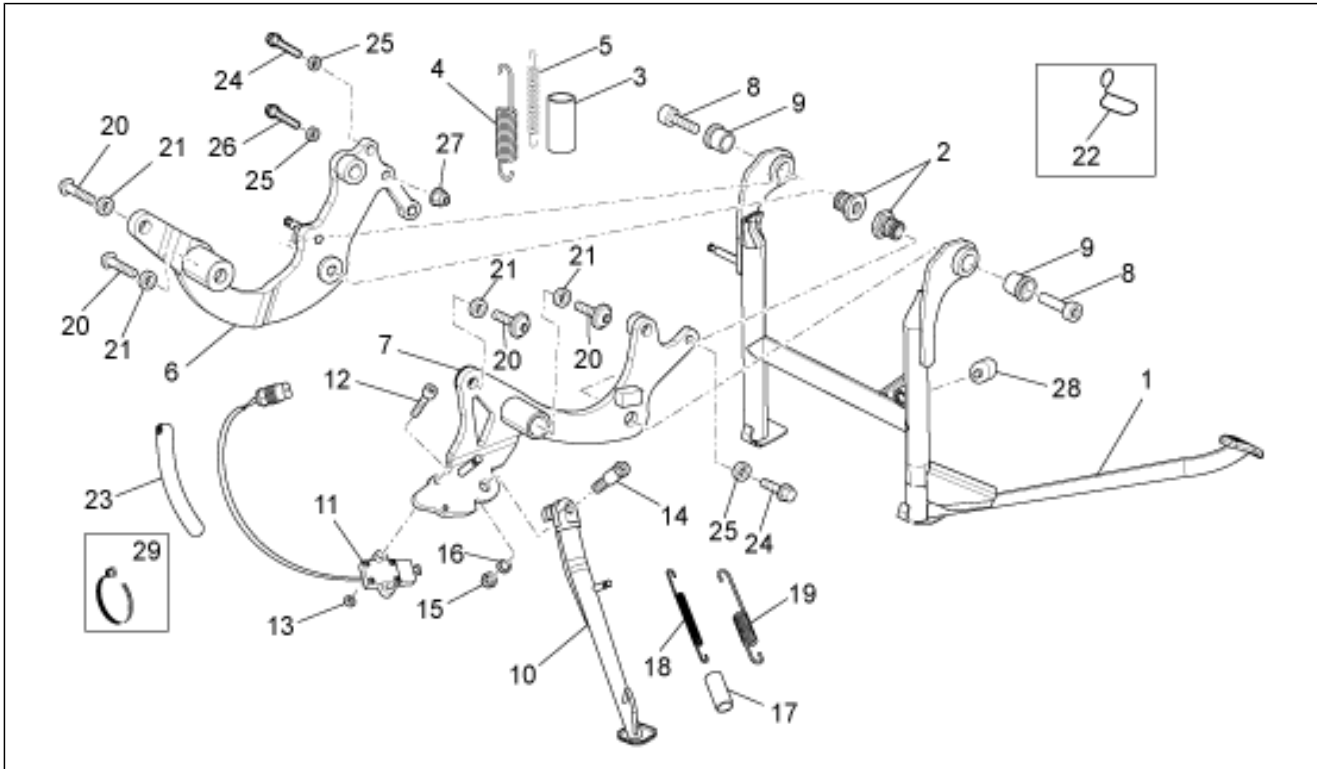
Pos.	Code	Beschrijving	Aant.	Varianten
1	88662300YE2	Frame	1	
2	GU98682650	Binnenzeskantbout M12x50	2	
3	GU30217900	Sluitring 13x18x1,7	2	
4	978841	Pin M12x260	1	
5	GU95008313	Sluitring 13x24x2,5	2	
6	978874	Beslagring	1	
7	978984	Plaat li	1	
8	AP8152288	Zeskantbout geflenst	4	
9	GU98054520	Bout	2	
10	GU19149800	Sluitring 10,5x16x1	2	
11	AP8221307	Pin M12	1	
12	GU95129240	Sluitring gegolfd	2	
13	AP8150432	Zelfborg. moer laag M12*	1	
14	978526	Dop	2	
15	GU98692414	Bout M8x14	2	
16	GU14615901	Sluitring 8,4X13X0,8	6	
17	GU06409800	Pakking	1	
18	GU28576591	Clip M6	8	
19	GU28576592	Kramv. moer M6	6	
20	883101	Plaat re	1	

Groep	FRAME
Code	33.02
Beschrijving	Frame II
Revisie	1



Pos.	Code	Beschrijving	Aant.	Varianten
1	886646	Front frame	1	
2	GU98680440	Binnenzeskantbout M8x40	2	
3	AP8152300	Zelfborg.bout gefl. M8	2	
4	AP8152279	Zeskantbout geflenst M6x20	2	
5	GU95100141	Sluitring 6,4x12x1,2	2	
6	GU28576592	Kramv. moer M6	2	

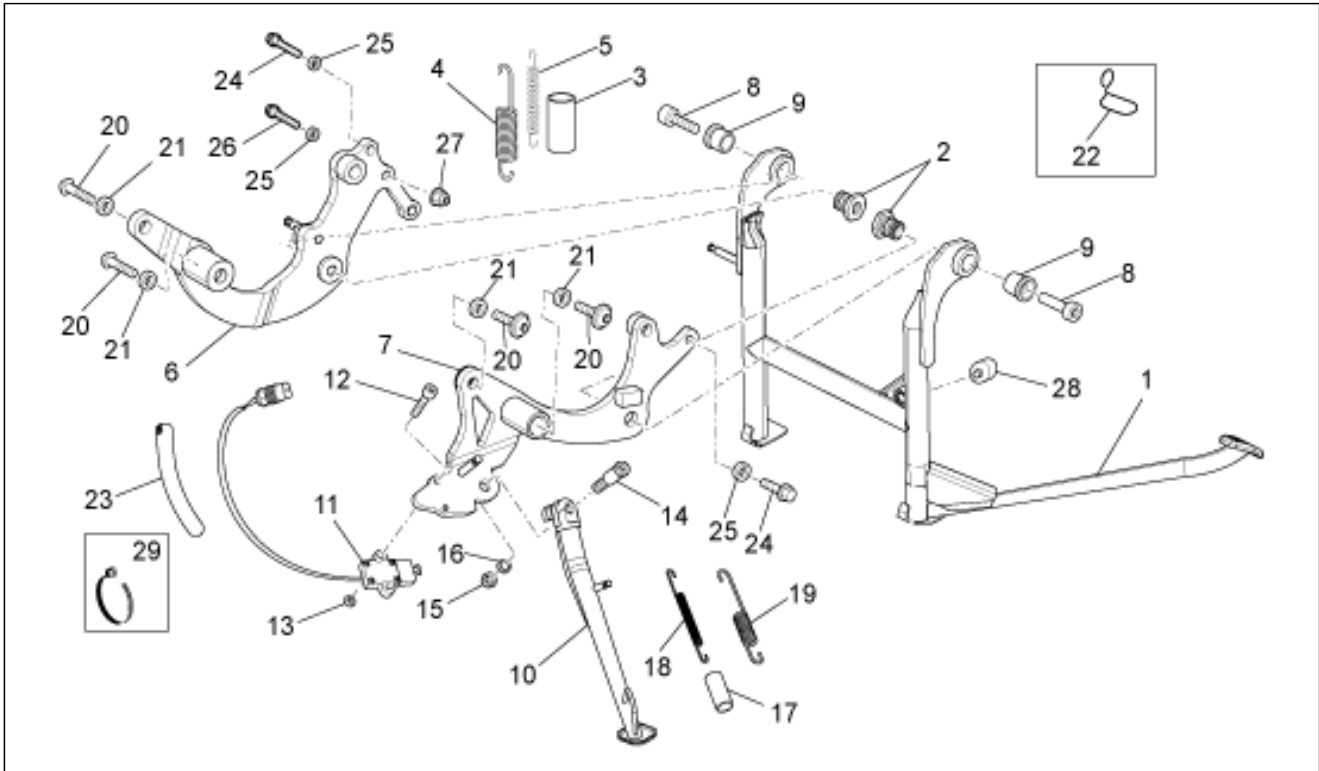
Groep	FRAME
Code	33.03
Beschrijving	Stands
Revisie	1



Pos.	Code	Beschrijving	Aant.	Varianten
1	883656	Centrale standaard	1	
2	AP8121467	Steun	2	
3	AP8178918	Bescherming veer standaard	1	
4	AP8221317	Trekveer standaard	1	
5	AP8221318	Trekveer standaard int.	1	
6	883664	Plaat re	1	
7	978002	Plaat li	1	
8	GU98682530	Binnenzeskantbout M10x30	2	
9	GU05429630	Huls	2	
10	886326	Laterale standaard	1	
11	639542	Schakelaar standaard	1	
12	GU98612216	Binnenzeskantbout	2	
13	GU95020105	Sluitring 5,3x8,9x2,4	2	
14	AP8121994	Bout standaard	1	
15	AP8152001	Moer laag M10x1,25*	1	
16	AP8150292	Elastische kromme sluitring *	1	
17	AP8102524	Bescherming veer standaard	1	
18	AP8221204	Trekveer standaard	1	
19	AP8221211	Trekveer standaard int.	1	
20	GU98231235	Bolbout met binnenzeskant M12x35	4	
21	GU30217900	Sluitring 13x18x1,7	2	
22	AP8120428	Kabelgeleider	1	
23	GU00823923140	Thermische gaine	1	
24	AP8152287	Zeskantbout geflenst	1	
25	GU14615901	Sluitring 8,4X13X0,8	2	
26	GU97202435	Bout	1	
27	AP8152300	Zelfborg.bout gefl. M8	1	
28	GU93242015	Buffer	1	

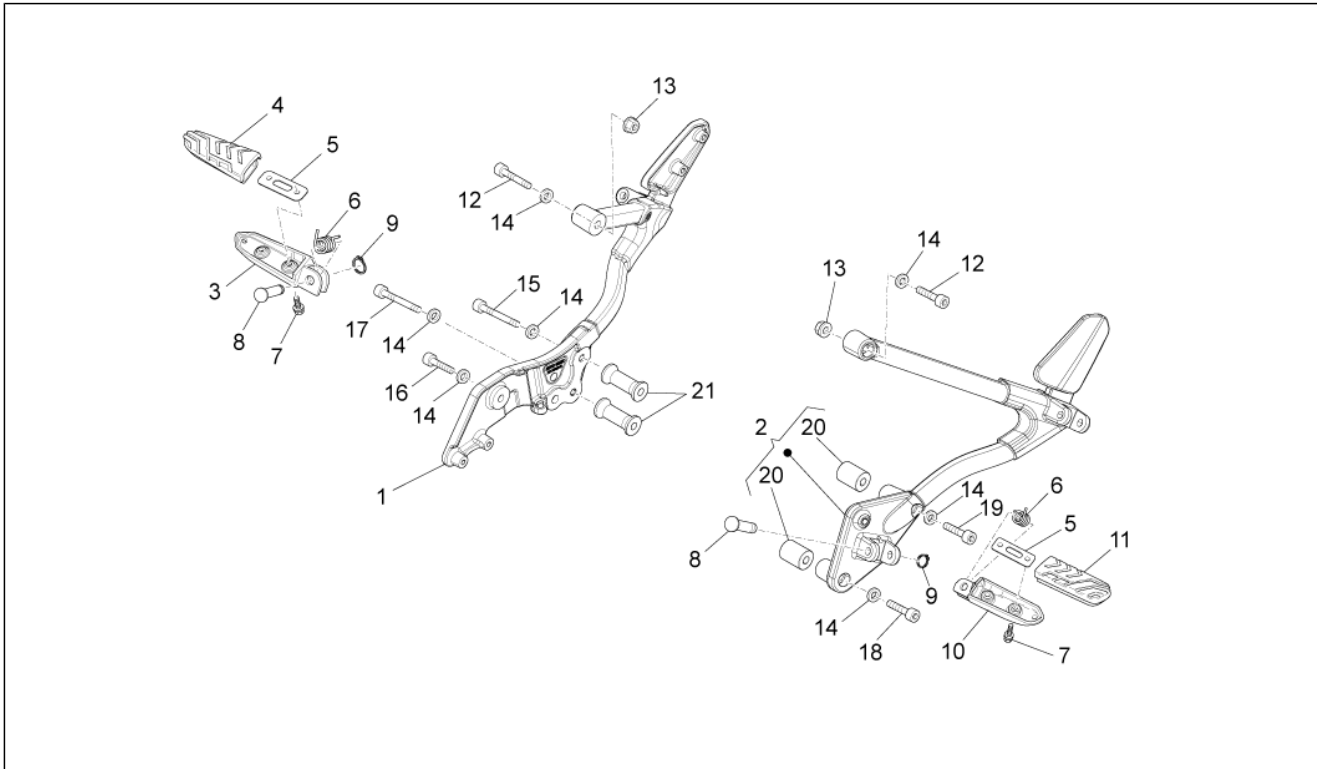


Groep	FRAME
Code	33.03
Beschrijving	Stands
Revisie	1



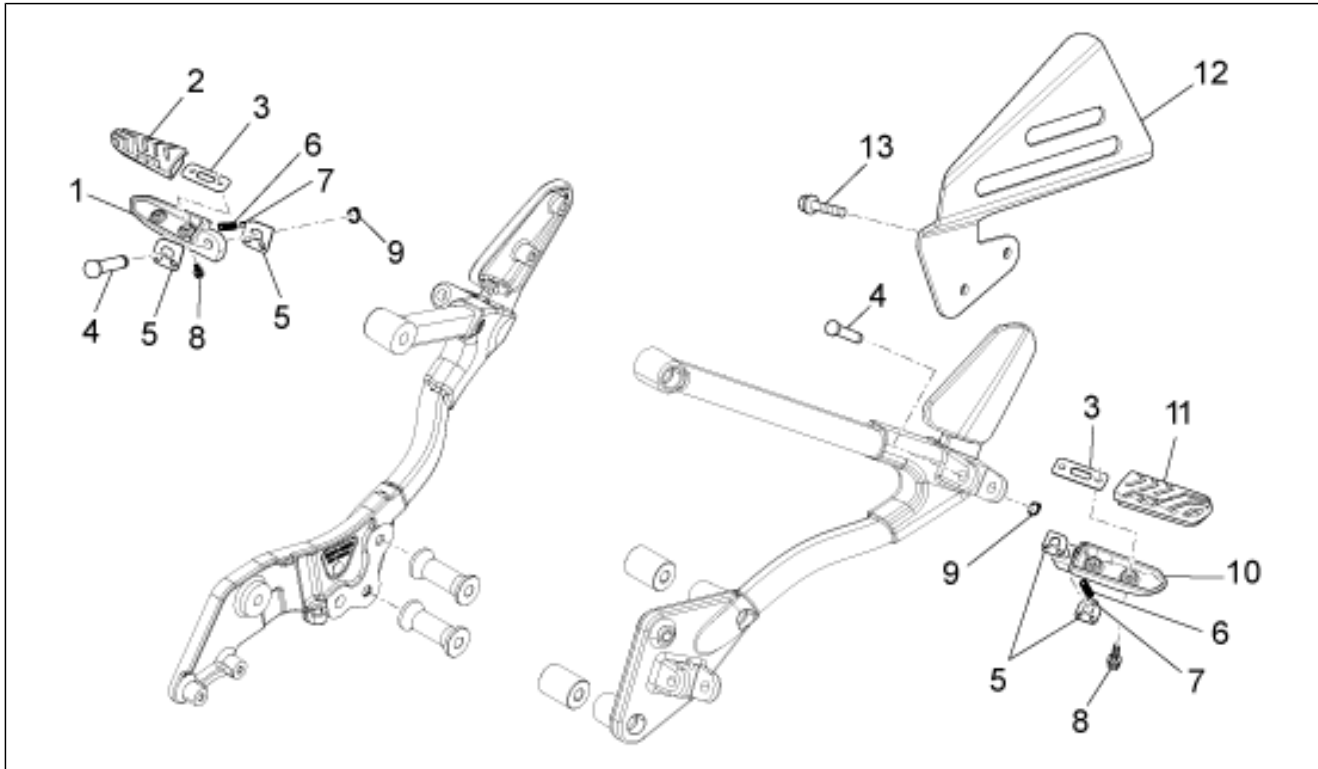
Pos.	Code	Beschrijving	Aant.	Varianten
29	GU14609650	Klemmetje 3,6x20,6	2	

Groep	FRAME
Code	33.04
Beschrijving	Front footrests
Revisie	1



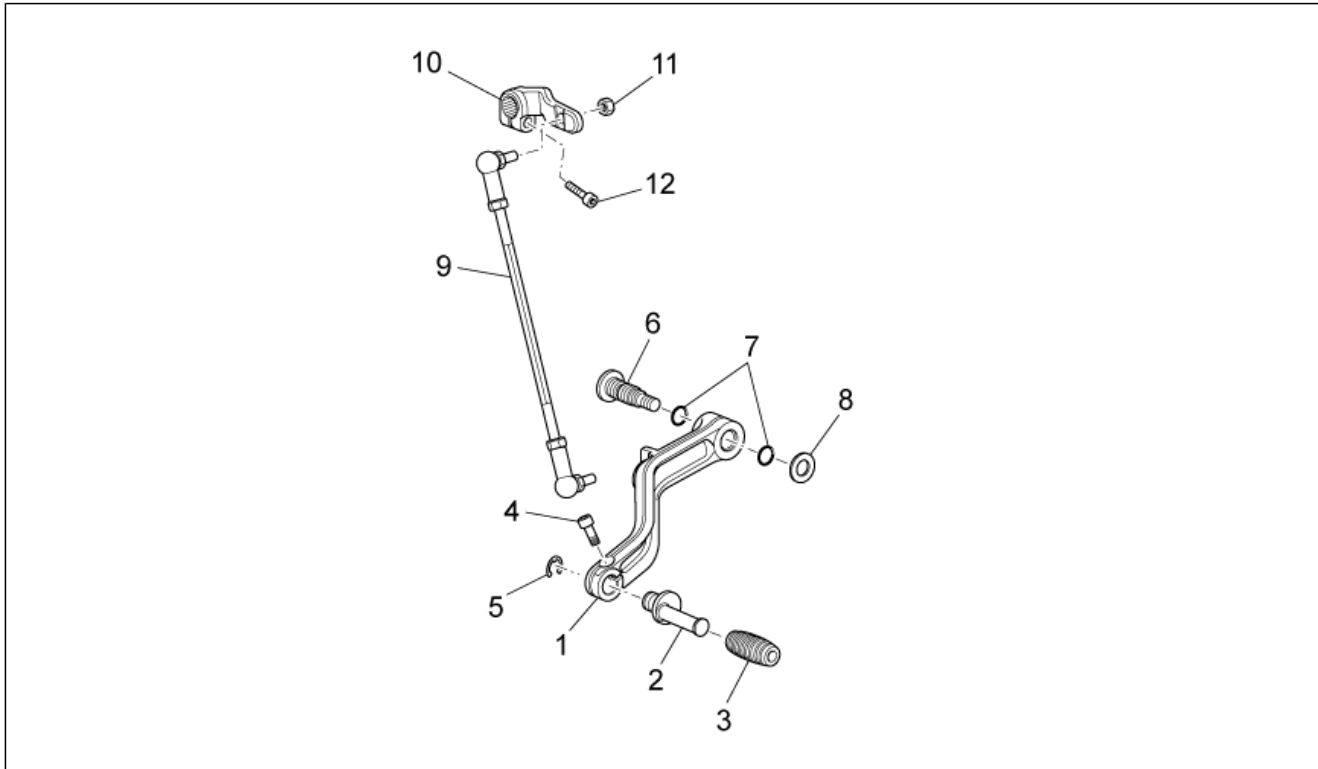
Pos.	Code	Beschrijving	Aant.	Varianten
1	886987	Steun voetenst. re	1	
2	883103	Steun voetenst. li	1	
3	886184	Voetensteun bestuurder re	1	
4	AP8120831	Rubbertje voetensteun	1	
5	AP8134276	Plaatje	1	
6	AP8221277	Trekveer voetensteun	2	
7	AP8152277	Zeskantbout geflenst	4	
8	AP8121567	Pin	2	
9	AP8152409	Blokkeerring radiaal	2	
10	886185	Voetensteun bestuurder li	1	
11	AP8120831	Rubbertje voetensteun	1	
12	GU98680435	Binnenzeskantbout M8x35	2	
13	AP8152300	Zelfborg.bout gefl. M8	2	
14	GU14615901	Sluitring 8,4X13X0,8	7	
15	GU98680480	Bout	1	
16	GU98682425	Binnenzeskantbout M8x25	1	
17	GU98680465	Bout	1	
18	GU98680460	Binnenzeskantbout M8x60	1	
19	GU98620485	Bout	1	
20	883107	Afstandhouder	2	
21	886933	Afstandhouder	2	

Groep	FRAME
Code	33.05
Beschrijving	Rear footrests
Revisie	1



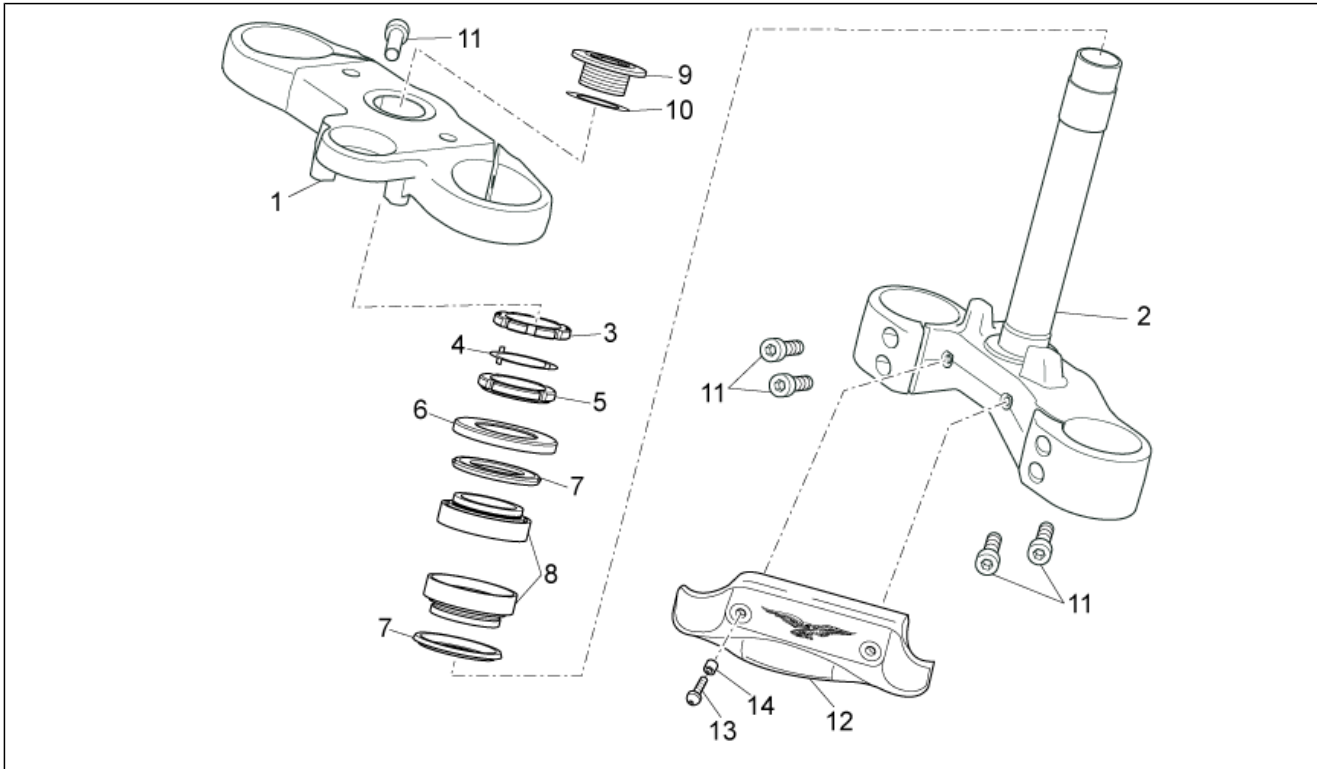
Pos.	Code	Beschrijving	Aant.	Varianten
1	GU32442310	Voetenst.pass. re	1	
2	GU32443210	Rubber	1	
3	GU32441210	Plaatje	2	
4	AP8121567	Pin	2	
5	AP8134451	Plaat eindeloop voetensteun	4	
6	AP8121133	Spiraalveer cilind.compr. *	2	
7	AP8101861	Bol D6,35	2	
8	AP8152277	Zeskantbout geflenst	4	
9	AP8152409	Blokkeerring radiaal	2	
10	GU32442710	Voetenst. pass.li	1	
11	GU32443211	Rubber	1	
12	898169	Bescherming voetenst. pass.li	1	
13	AP8152277	Zeskantbout geflenst	2	

Groep	FRAME
Code	33.06
Beschrijving	Gear lever
Revisie	1



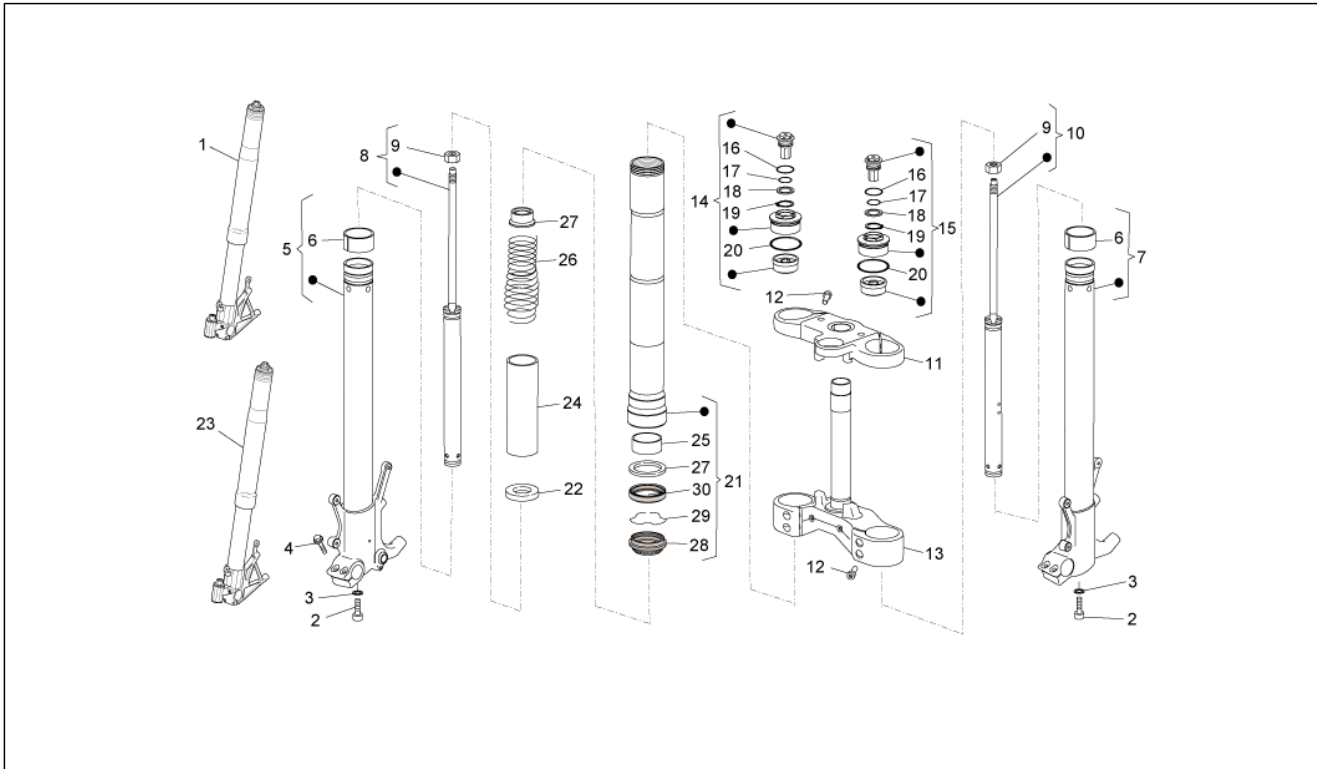
Pos.	Code	Beschrijving	Aant.	Varianten
1	GU06250900	Versnellingshendel	1	
2	AP8121221	Pin remhendel	1	
3	AP8120912	Rubbertje voor hendel	1	
4	GU98682316	Binnenzeskantbout M6x16	1	
5	AP8150462	Seegerring d9	1	
6	AP8121223	Pin hendel achterrem	1	
7	OR-ring 11,11x1,78	2		
8	GU95008210	Sluitring 10,2X18X2	1	
9	883044	Trekker cpl.	1	
10	GU05256930	Hendel overbrenging	1	
11	GU92630707	Moer	2	
12	GU98682320	Binnenzeskantbout M6x20	1	

Groep	FRAME
Code	33.07
Beschrijving	Steering
Revisie	1



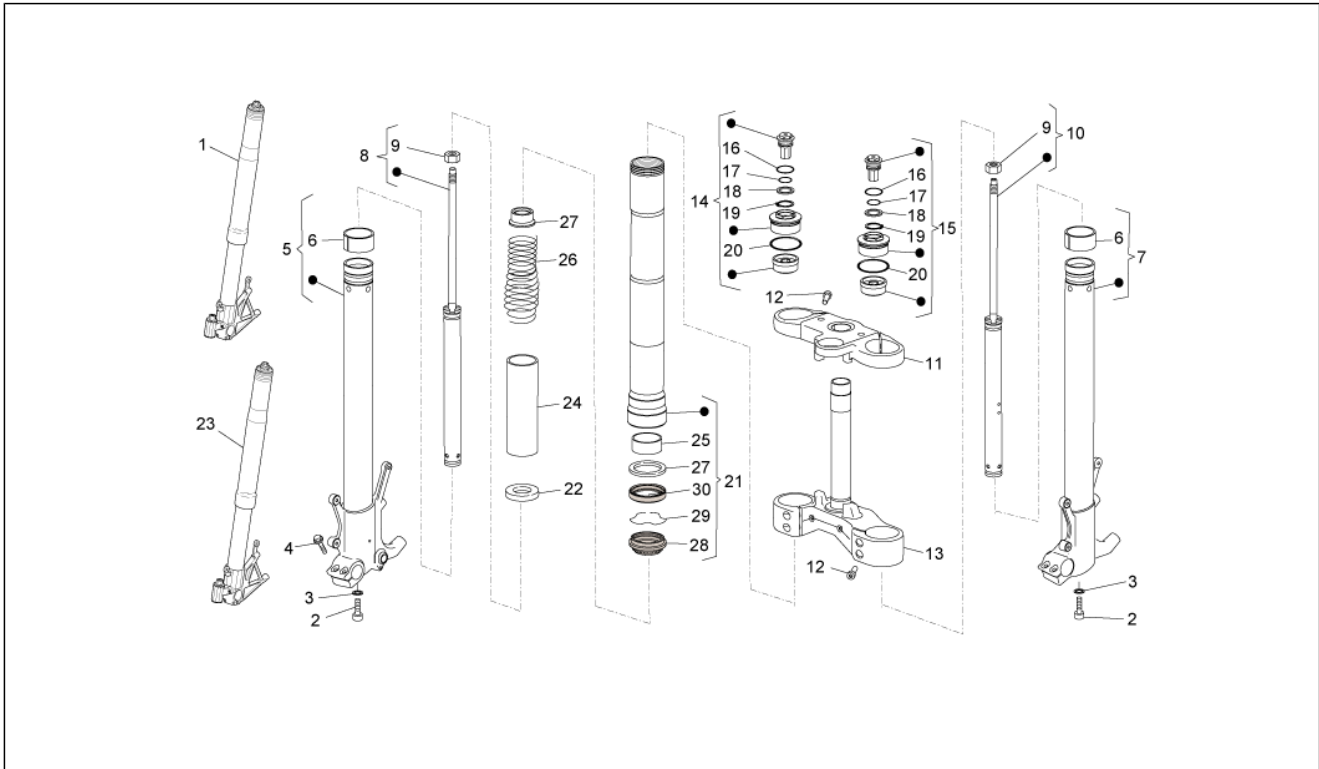
Pos.	Code	Beschrijving	Aant.	Varianten
1	886199	Plaat bov.vork D45	1	
2	886202	Basis met kop D45	1	
3	AP8123643	Tegenmoer	1	
4	AP8121207	Veiligheidsplaatje stuur	1	
5	AP8123642	Moer	1	
6	AP8123644	Stofkeerring	1	
7	AP8123641	Stofkeerring	2	
8	AP8110077	Kogellager axiaal	2	
9	AP8121205	Huls bevest. plaat bov.	1	
10	AP8152384	Sluitring dop kop	1	
11	GU98682430	Binnenzeskantbout M8x30	6	
12	GU05658431	Bevestigingsplaat remleiding	1	
13	AP8152298	Bolbout met binnenzeskant, geflenst	2	
14	AP8221036	Beslagring 5,3x8x7,1	2	

Groep	FRAME
Code	33.08
Beschrijving	Front fork
Revisie	1



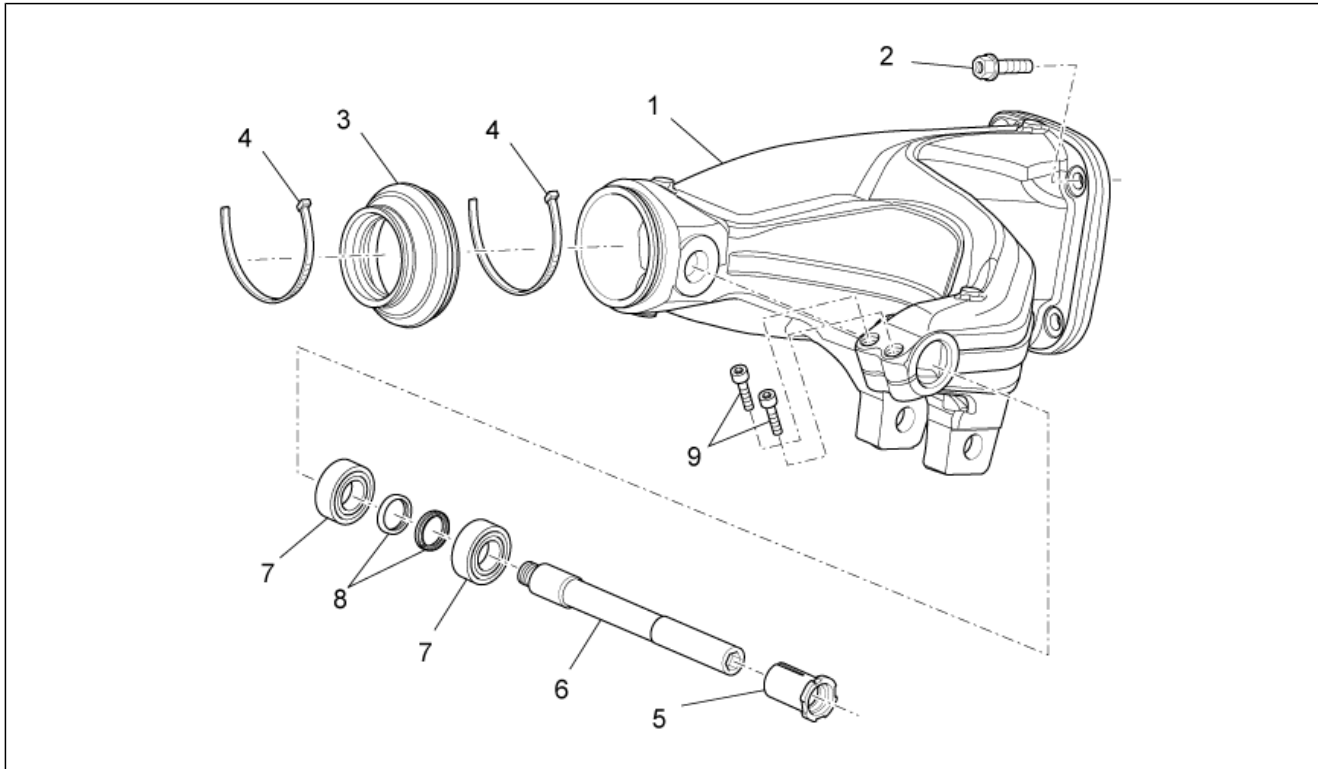
Pos.	Code	Beschrijving	Aant.	Varianten
1	886191	Leest re cpl. D45	1	Technical specification: 1A Serie con targhetta identificativa y1311164>A[F1A]
1	887091	Leest re cpl. D45	1	Technical specification: 2A Serie con targhetta identificativa y1311164>B[F2A]
2	GU01530588	Bout	2	
3	AP8123206	Dichtende sluitring	2	
4	AP8150220	Binnenzeskantbout	4	
5	886315	Stang+wielhouder re	1	
6	AP9100856	Huls ond. 45x20	2	
7	886317	Stang+wielhouder li	1	
8	886319	Pompend deel cpl. re	1	Technical specification: 1A Serie con targhetta identificativa y1311164>A[F1A]
8	887319	Pompend deel cpl. re	1	Technical specification: 2A Serie con targhetta identificativa y1311164>B[F2A]
9	886321	Moer	2	
10	886320	Pompend deel cpl.li	1	Technical specification: 1A Serie con targhetta identificativa y1311164>A[F1A]
10	887320	Pompend deel cpl.li	1	Technical specification: 2A Serie con targhetta identificativa y1311164>B[F2A]
11	886199	Plaat bov.vork D45	1	
12	GU98682430	Binnenzeskantbout M8x30	6	
13	886202	Basis met kop D45	1	
14	886324	Dop hulsel re	1	
15	886316	Dop hulsel li	1	
16	981024	OR-ring	2	
17	981025	OR-ring	2	
18	981026	Rondeel	2	
19	981027	Stopring	2	
20	886318	OR-ring	2	

Groep	FRAME
Code	33.08
Beschrijving	Front fork
Revisie	1



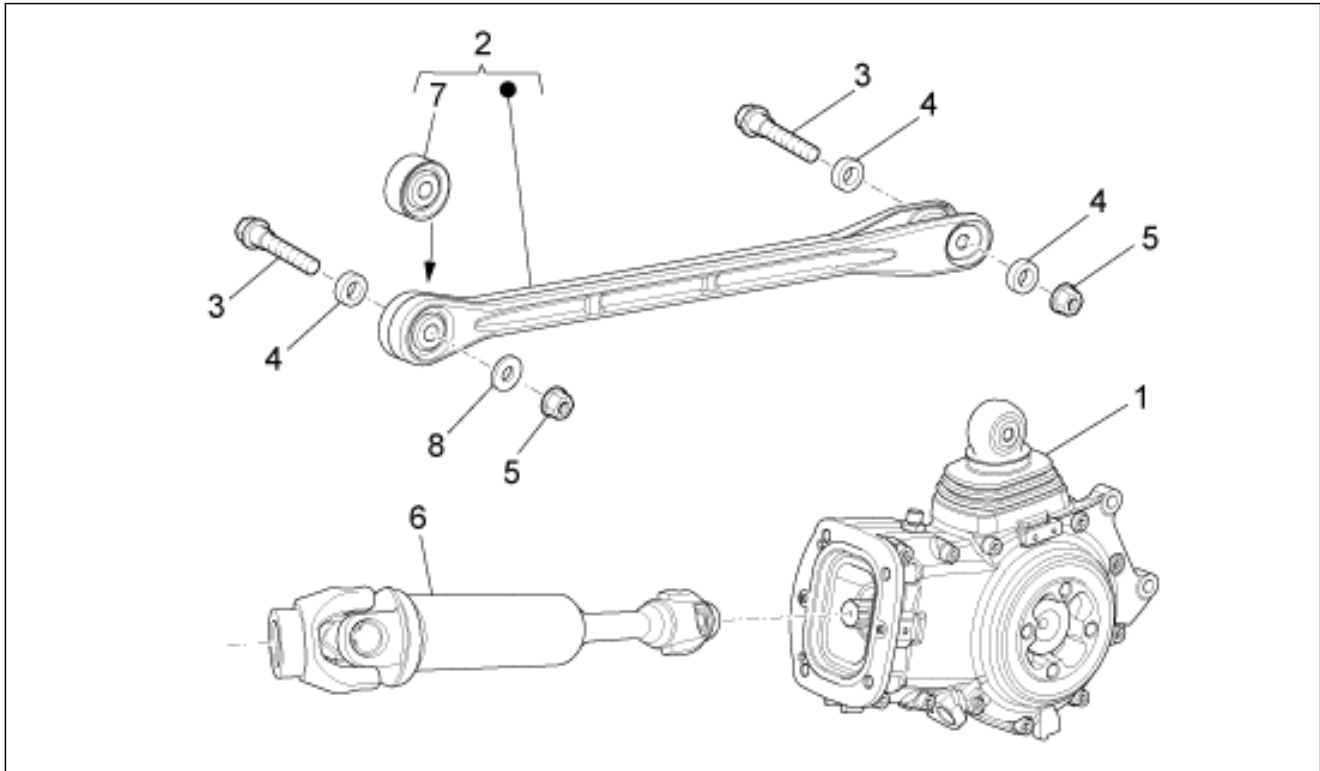
Pos.	Code	Beschrijving	Aant.	Varianten
21	886323	Hulsel cpl.	2	
22	981033	Plaatje veerhouder	2	
23	886192	Leest li cpl. D45	1	Technical specification: 1A Serie con targhetta identificativa y1311164>A[F1A]
23	887092	Leest li cpl. D45	1	Technical specification: 2A Serie con targhetta identificativa y1311164>B[F2A]
24	AP8161254	Buis voorbelasting	2	
25	AP9100855	Huls bov. 45x15	2	
26	886322	Veer	2	
27	AP8163094	Plaatje 58x46x3	2	
28	AP8163097	Stofkeerring D.45	2	
29	AP8163096	Blokkeerring D.63	2	
30	AP8163095	Dichtingsring 45x58x11	2	

Groep	FRAME
Code	33.09
Beschrijving	Swing arm
Revisie	1



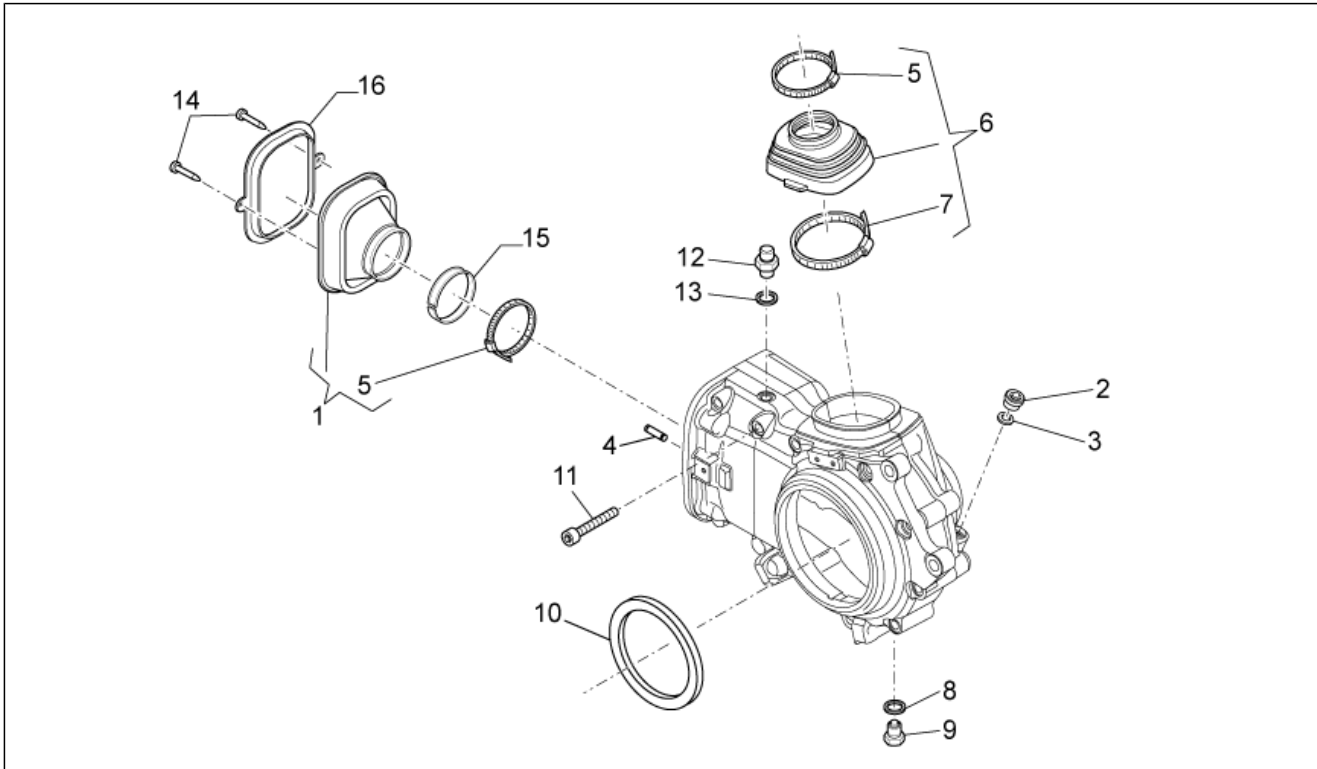
Pos.	Code	Beschrijving	Aant.	Varianten
1	978350	Vork v.zwart	1	
2	AP8152318	Zeskantbout geflenst M10x35	4	
3	883966	Blower van rubber	1	
4	GU93304390	Klemmetje 3,6x375	2	
5	GU05547130	Huls	1	
6	GU05547030	Pin	1	
7	GU92249224	Rollager 25x47x17	2	
8	GU05547930	Dichtingsring	2	
9	GU98682325	Binnenzeskantbout M6x25	2	

Groep	FRAME
Code	33.10
Beschrijving	Transmission complete
Revisie	1



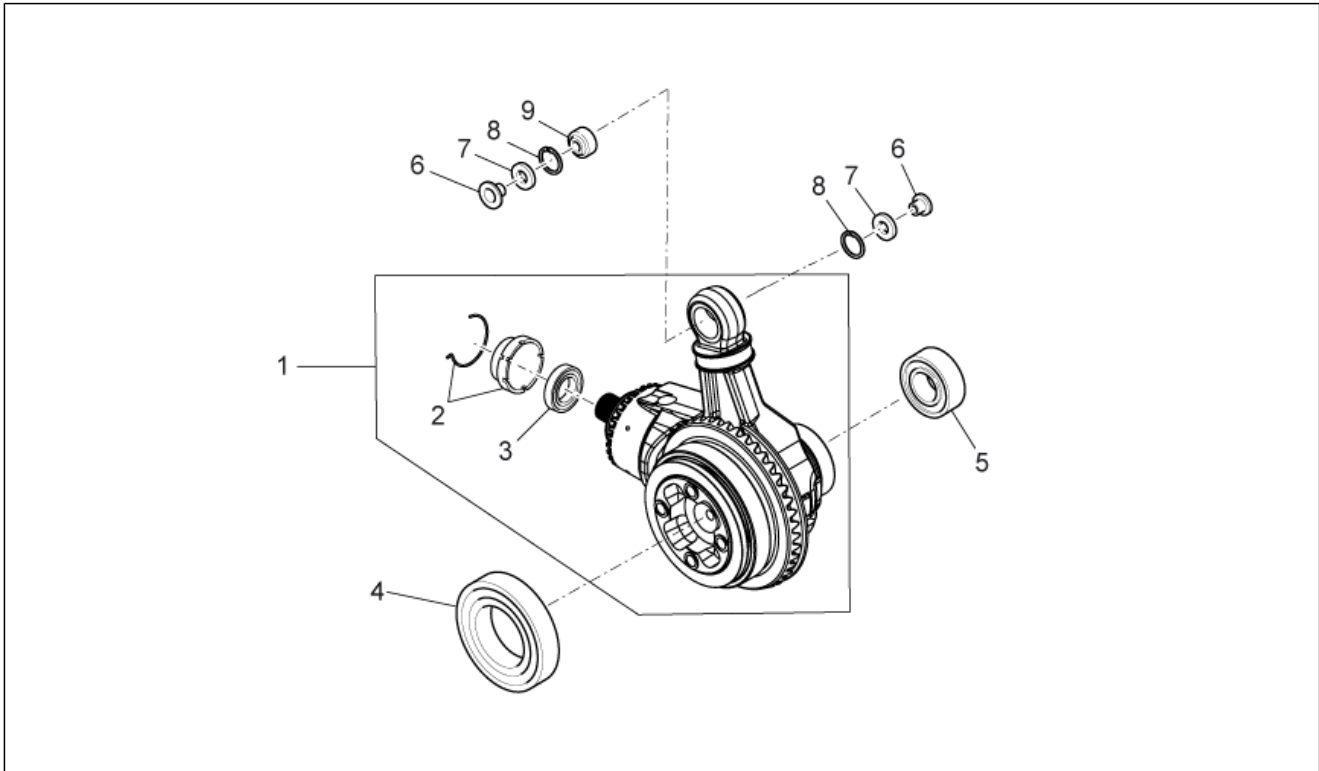
Pos.	Code	Beschrijving	Aant.	Varianten
1	976570	Doos transmissie cpl.zwart	1	
2	883046	Reactiestaaf cpl.	1	
3	AP8152410	Zeskantbout geflenst M10x55	2	
4	AP8121218	Afstandhouder 10,2x20x4	3	
5	AP8152242	Moer	2	
6	GU05326330	Drijfjas	1	
7	883045	Silent block	1	
8	GU14018400	Sluitring 10,5X21X1	1	

Groep	FRAME
Code	33.11
Beschrijving	Trans.cpl.-Cage
Revisie	1



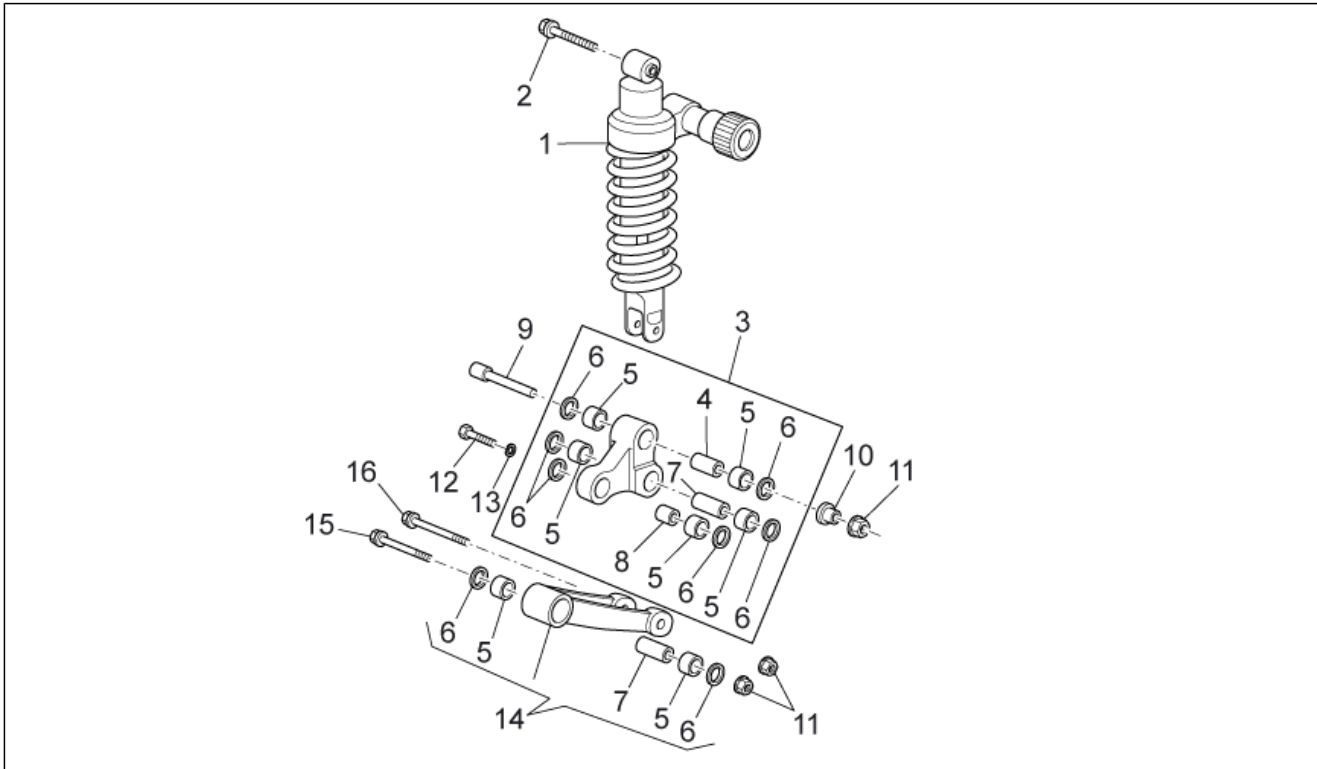
Pos.	Code	Beschrijving	Aant.	Varianten
1	GU05358330	Stofkap	1	
2	GU05351230	Oliedop M12x1,5	1	
3	GU90718120	Sluitring	1	
4	GU95510620	Plug 6x20	2	
5	GU05358130	Klemmetje	2	
6	GU05358030	Stofkap	1	
7	GU05358230	Klemmetje	1	
8	GU01528930	Pakking 10x18x1,5	1	
9	GU31003766	Afvoerdop olie M10x1	1	
10	GU90408511	Dichtingsring 85x110x8BASL	1	
11	GU98680450	Binnenzeskantbout M8x50	11	
12	GU05206530	Dop ontluchting	1	
13	GU10528900	Pakking in aluminium	1	
14	GU99210406	Bout M3,9x6,5	2	
15	GU05358530	Ring	1	
16	GU05358630	Pakking	1	

Groep	FRAME
Code	33.12
Beschrijving	Trans.cpl.-Bevel gear
Revisie	1



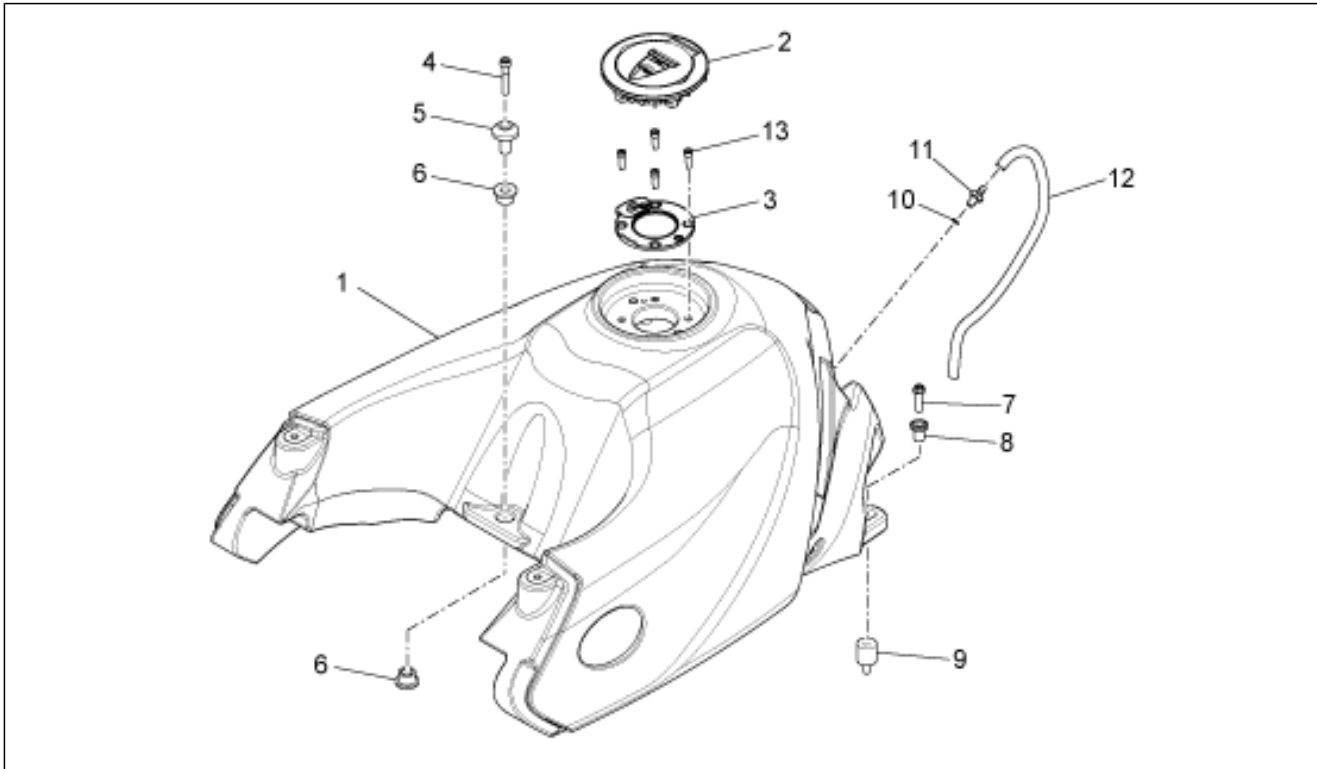
Pos.	Code	Beschrijving	Aant.	Varianten
1	976581	Kit conisch koppel 12/44	1	
2	GU05352430	Moer	1	
3	GU90404558	Dichtingsring 45x58x7	1	
4	GU92208518	Kogellager 85x120x18	1	
5	GU92204230	Kogellager 30x62x16	1	
6	AP8121098	Huls	2	
7	AP8120485	Dichtingsring	2	
8	GU90273026	Seegerring	2	
9	GU05638130	Sfeervormig buigpunt	1	

Groep	FRAME
Code	33.13
Beschrijving	Connecting rod - rear shock abs.
Revisie	1



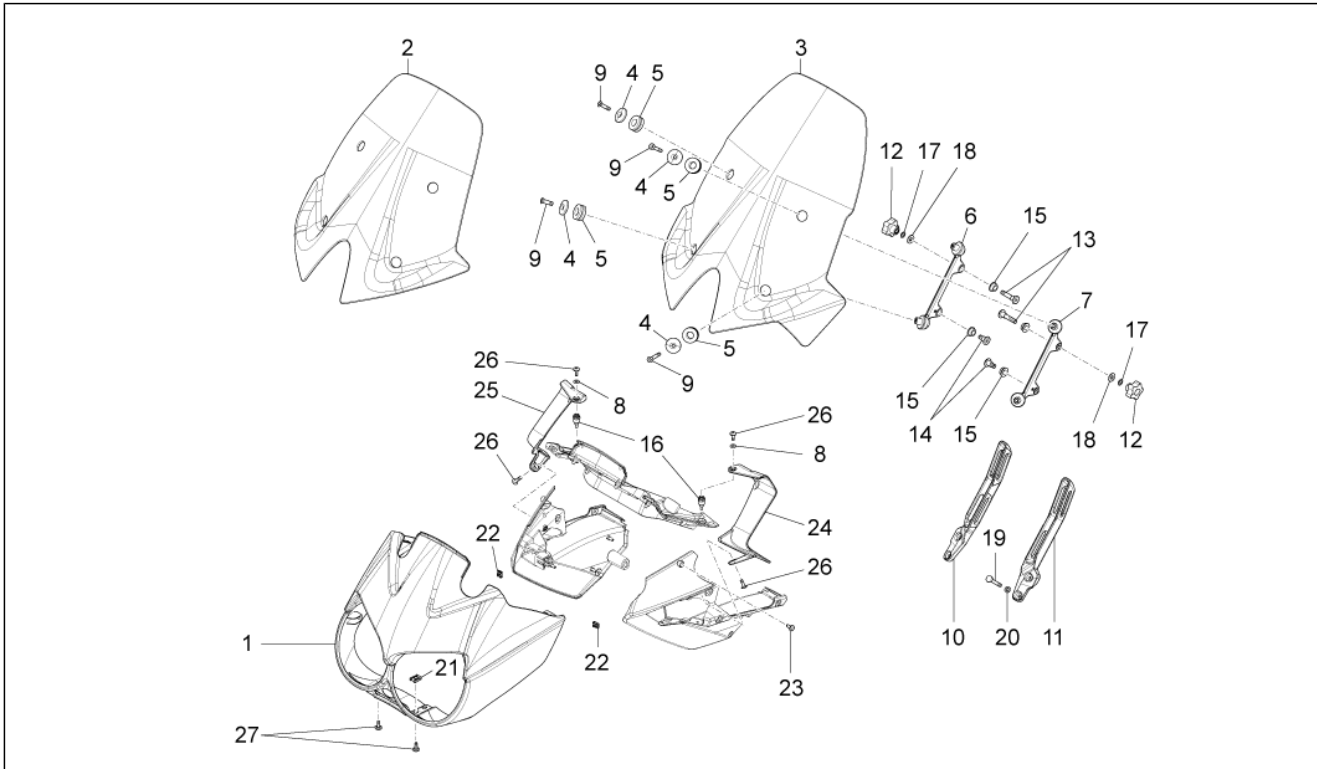
Pos.	Code	Beschrijving	Aant.	Varianten
1	886201	Schokdemper acht.	1	
2	018622	Bout	1	
3	GU05560330	Dubbele drijfstang	1	
4	AP8135924	Zuigerpen dubbele drijfstang L40	1	
5	AP8110066	Rolhuls	7	
6	AP8110068	Oliekeerring D18x24x3	8	
7	GU05562030	Zuigerpen dubbele drijfstang L47	2	
8	AP8135608	Zuigerpen dubbele drijfstang L25	1	
9	AP8152397	Binnenzeskantbout M10x82	1	
10	AP8121155	'T'-vormige huls *	1	
11	AP8152301	Zelfborg.bout gefl.	3	
12	AP8152147	Zeskantbout M10x47	1	
13	AP8150292	Elastische kromme sluitring *	1	
14	GU05562430	Enkele drijfstang cpl.	1	
15	AP8152482	Zeskantbout geflenst M10x85	1	
16	AP8152396	Zeskantbout geflenst M10x95	1	

Groep	FRAME
Code	33.14
Beschrijving	Fuel tank
Revisie	1



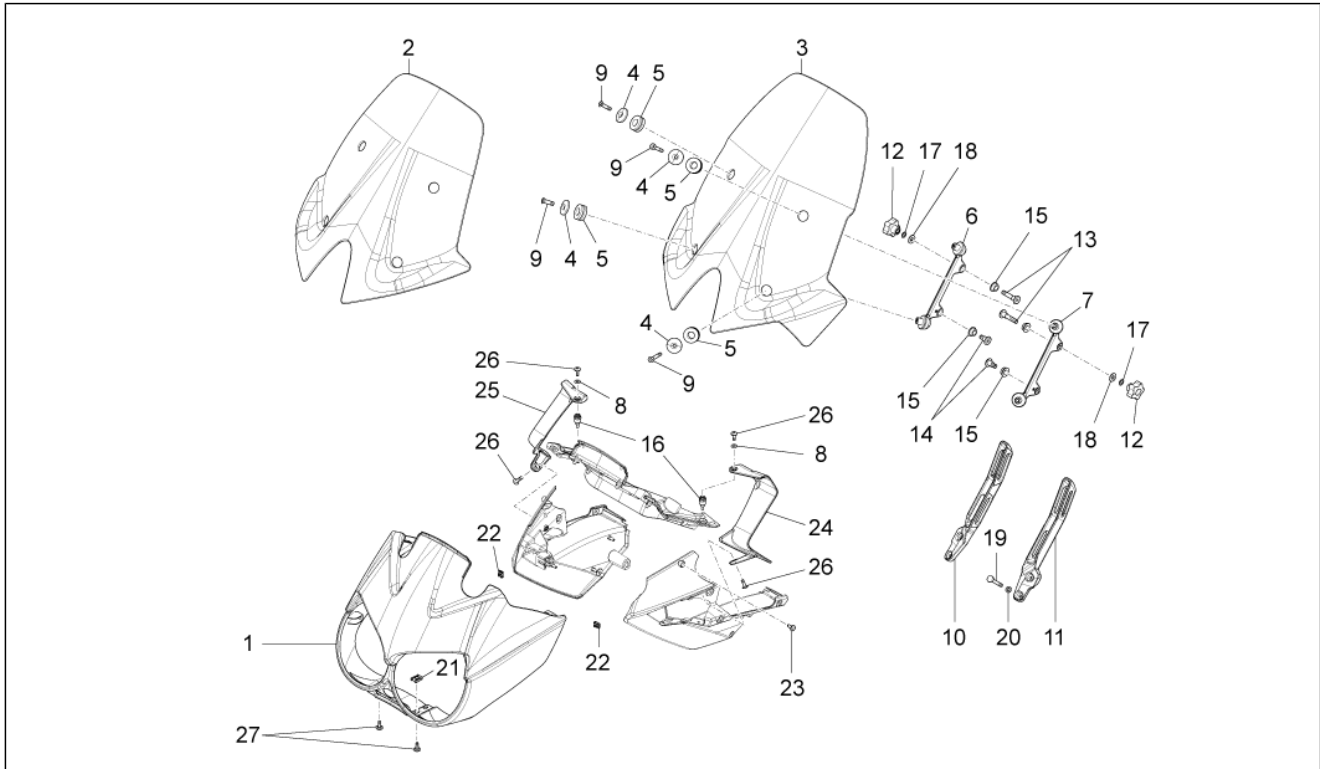
Pos.	Code	Beschrijving	Aant.	Varianten
1	897635	Serbatoio benz. grezzo	1	
1	89763500BM	Benzinetank v.wit	1	Kleur van het voertuig: Bianco diamante 2011 (s.t.886900) [whd] Technical specification: Versione Standard[Std]
1	89763500NI	Benzinetank v.zwart	1	Kleur van het voertuig: Nero competition 2011(s.t.886899) [blc] Technical specification: NTX version[NTX]
1	89763500Y02	Benzinetank v.zwart	1	Kleur van het voertuig: Nero Guzzi 2011(s.t.886901)[blg] Technical specification: Versione Standard[Std]
1	89763500YA2	Benzinetank v.oranje	1	Kleur van het voertuig: Arancio rame 2011 (s.t.886902)[ar] Technical specification: Versione Standard[Std]
2	GU05103930	Tankdop	1	
3	AP8104803	Pakking benzinedop	1	
4	AP8150285	Binnenzeskantbout	1	
5	886828	Bush Fixing	1	
6	AP8101372	Silent-block	2	
7	AP8152280	Zeskantbout geflenst M6x25	2	
8	AP8124421	Terminal	2	
9	887095	Silent block	2	
10	AP8120965	OR-ring 2018	2	
11	AP8102503	Verbinding rubber	2	
12	AP8220263	Ontluchtingsbuis 4x8	5	
13	AP8150454	Binnenzeskantbout	4	

Groep	FRAME
Code	33.15
Beschrijving	Front body - Front fairing
Revisie	1



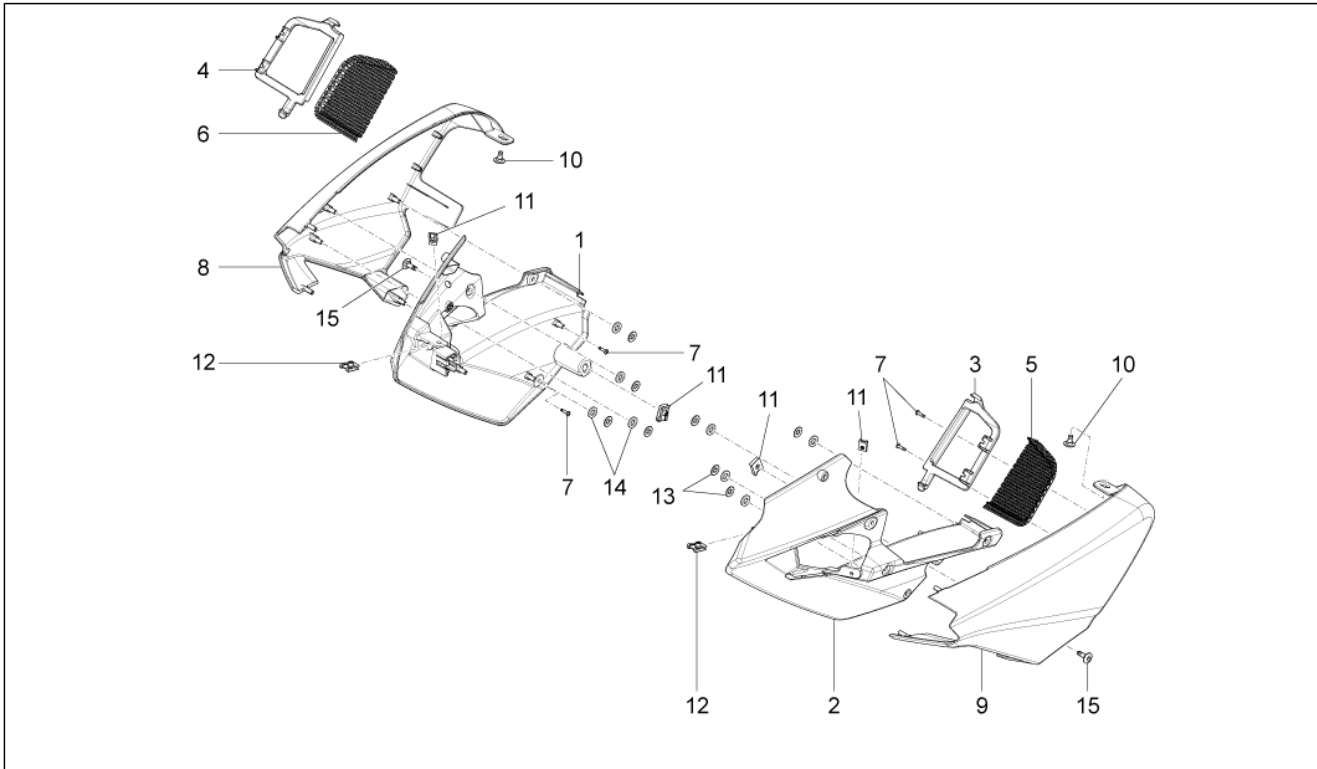
Pos.	Code	Beschrijving	Aant.	Varianten
1	897641	Kapje ruw	1	
1	89764100NI	Kapje v.zwart	1	Kleur van het voertuig: Arancio rame 2011 (s.t.886902)[ar], Nero Guzzi 2011(s.t.886901)[blg], Bianco diamante 2011 (s.t.886900)[whd] Technical specification: Versione Standard[Std]
1	89764100Y11	Kapje v.grijs	1	Kleur van het voertuig: Nero competition 2011(s.t.886899) [blc] Technical specification: NTX version[NTX]
2	887174	Windscherm	1	Technical specification: Versione Standard[Std]
3	887134	Windscherm	1	Technical specification: NTX version[NTX]
4	269787	Speciale sluitring	4	
5	560173	Rubbetje	4	
6	886195	Houder re	1	
7	886196	Houder li	1	
8	AP8120622	Stofkeerring voor.	2	
9	GU98257618	Bout	4	
10	886197	Beugel re	1	
11	886198	Beugel li	1	
12	977681	Knop	2	
13	886078	Geschroefdr. pin	2	
14	886079	Geschroefdr. pin	2	
15	886236	'T'-vormige huls	4	
16	887033	Kolommetje	2	
17	GU14615901	Sluitring 8,4X13X0,8	2	
18	GU95005310	Sluitring 8,4x18x2	2	
19	AP8152278	Zeskantbout geflenst	4	
20	GU14217901	Gekart. sluitring 6,4x10x0,7	4	
21	248419	Spring plate m5	1	
22	AP8102381	Clip M4	2	

Groep	FRAME
Code	33.15
Beschrijving	Front body - Front fairing
Revisie	1



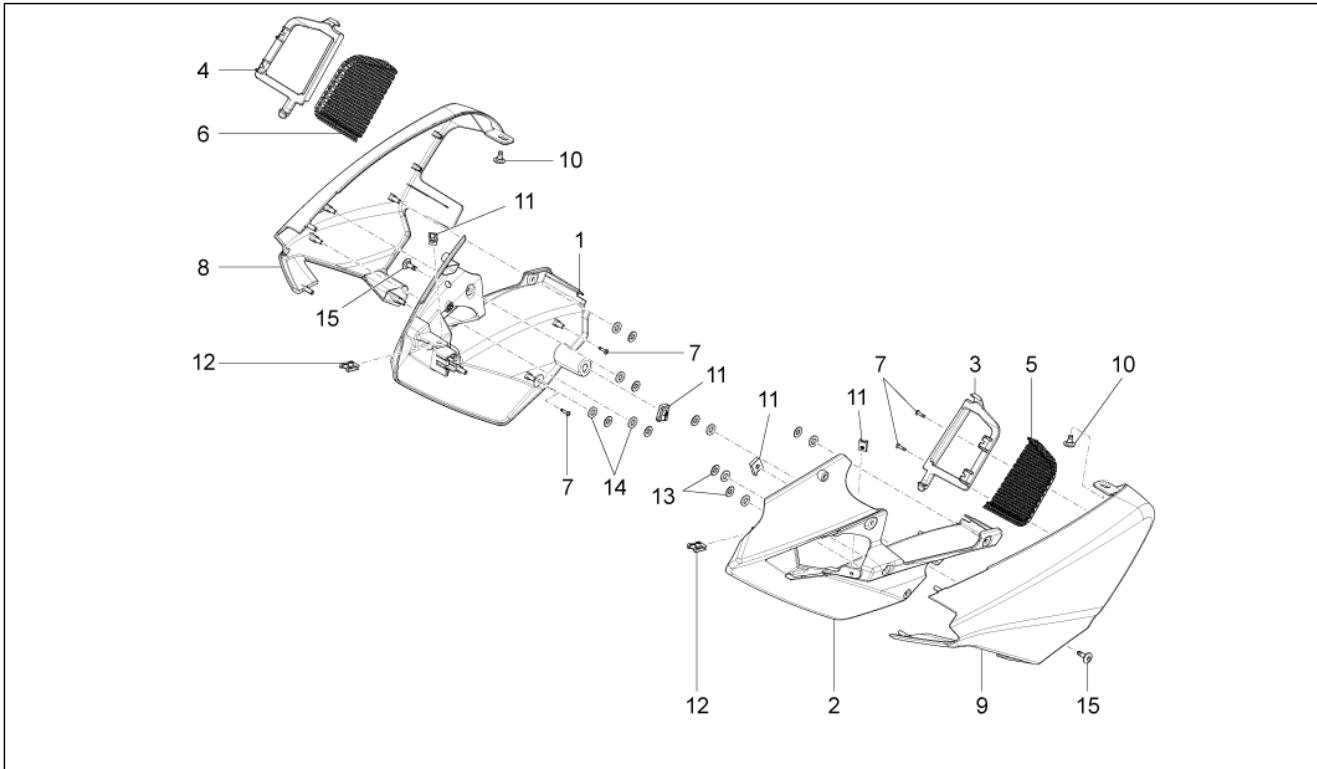
Pos.	Code	Beschrijving	Aant.	Varianten
23	AP8120876	Sluitdop	1	
24	887039	Luchtdeflector li	1	
25	887040	Luchtdeflector re	1	
26	976614	Bout	4	
27	AP8152302	Bolbout met binnenzeskant, geflenst M5x12	2	

Groep	FRAME
Code	33.16
Beschrijving	Front body - Duct
Revisie	1



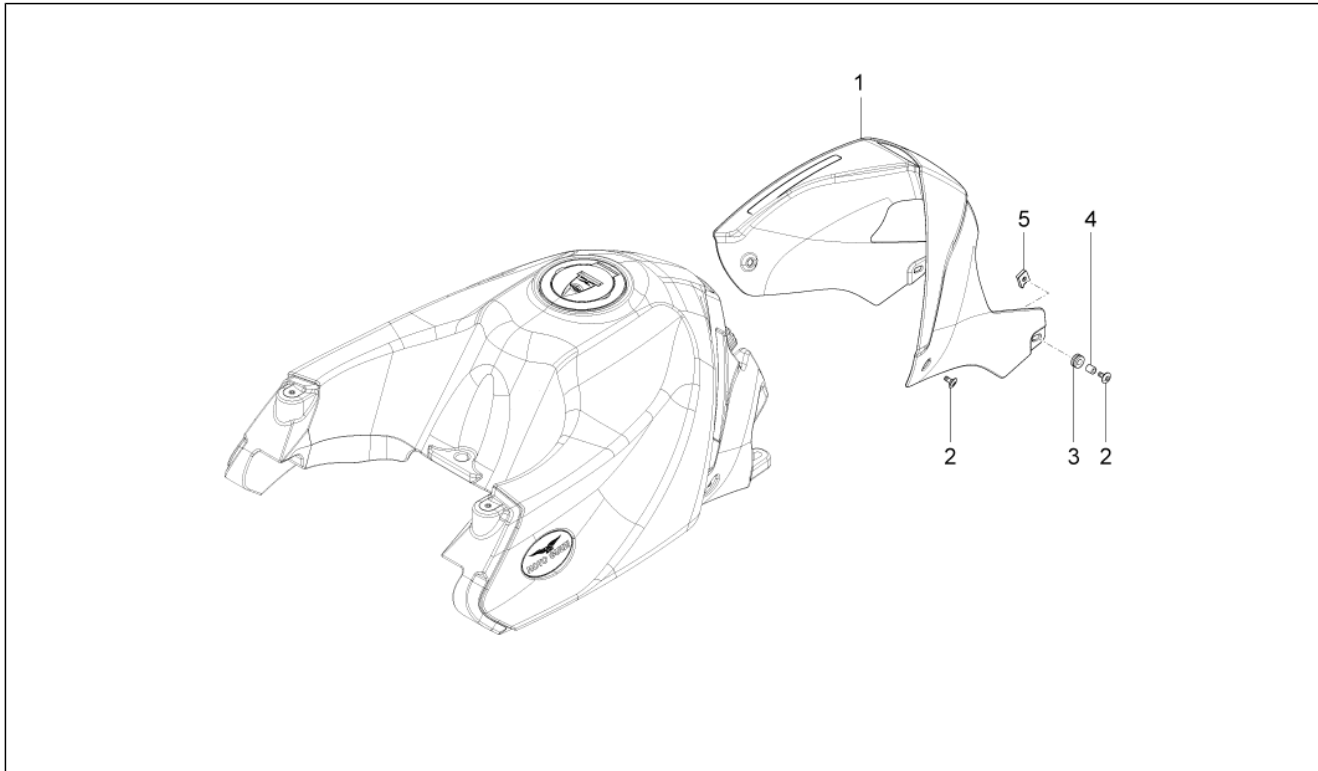
Pos.	Code	Beschrijving	Aant.	Varianten
1	897637	Zijplaat re ruw	1	
1	89763700BM	Zijplaat re	1	Kleur van het voertuig: Bianco diamante 2011 (s.t.886900) [whd] Technical specification: Versione Standard[Std]
1	89763700Y02	Zijplaat re	1	Kleur van het voertuig: Nero Guzzi 2011(s.t.886901)[blg] Technical specification: Versione Standard[Std]
1	89763700Y11	Zijplaat re	1	Kleur van het voertuig: Nero competition 2011(s.t.886899) [blc] Technical specification: NTX version[NTX]
1	89763700YA2	Zijplaat re	1	Kleur van het voertuig: Arancio rame 2011 (s.t.886902)[ar] Technical specification: Versione Standard[Std]
2	897638	Zijplaat li ruw	1	
2	89763800BM	Zijplaat li	1	Kleur van het voertuig: Bianco diamante 2011 (s.t.886900) [whd] Technical specification: Versione Standard[Std]
2	89763800Y02	Zijplaat li	1	Kleur van het voertuig: Nero Guzzi 2011(s.t.886901)[blg] Technical specification: Versione Standard[Std]
2	89763800Y11	Zijplaat li	1	Kleur van het voertuig: Nero competition 2011(s.t.886899) [blc] Technical specification: NTX version[NTX]
2	89763800YA2	Zijplaat li	1	Kleur van het voertuig: Arancio rame 2011 (s.t.886902)[ar] Technical specification: Versione Standard[Std]
3	886821	Telaio griglia SX	1	
4	886822	Telaio griglia DX	1	
5	886823	Griglia convogliatore SX	1	
6	886824	Griglia convogliatore DX	1	
7	AP8150421	Zelftap. bout 2,9x12	4	
8	897639	Convogliatore dx grezzo	1	
8	89763900NI	Kanaal re	1	Kleur van het voertuig: Arancio rame 2011 (s.t.886902)[ar], Nero Guzzi 2011(s.t.886901)[blg], Bianco diamante 2011 (s.t.886900)[whd] Technical specification: Versione Standard[Std]

Groep	FRAME
Code	33.16
Beschrijving	Front body - Duct
Revisie	1



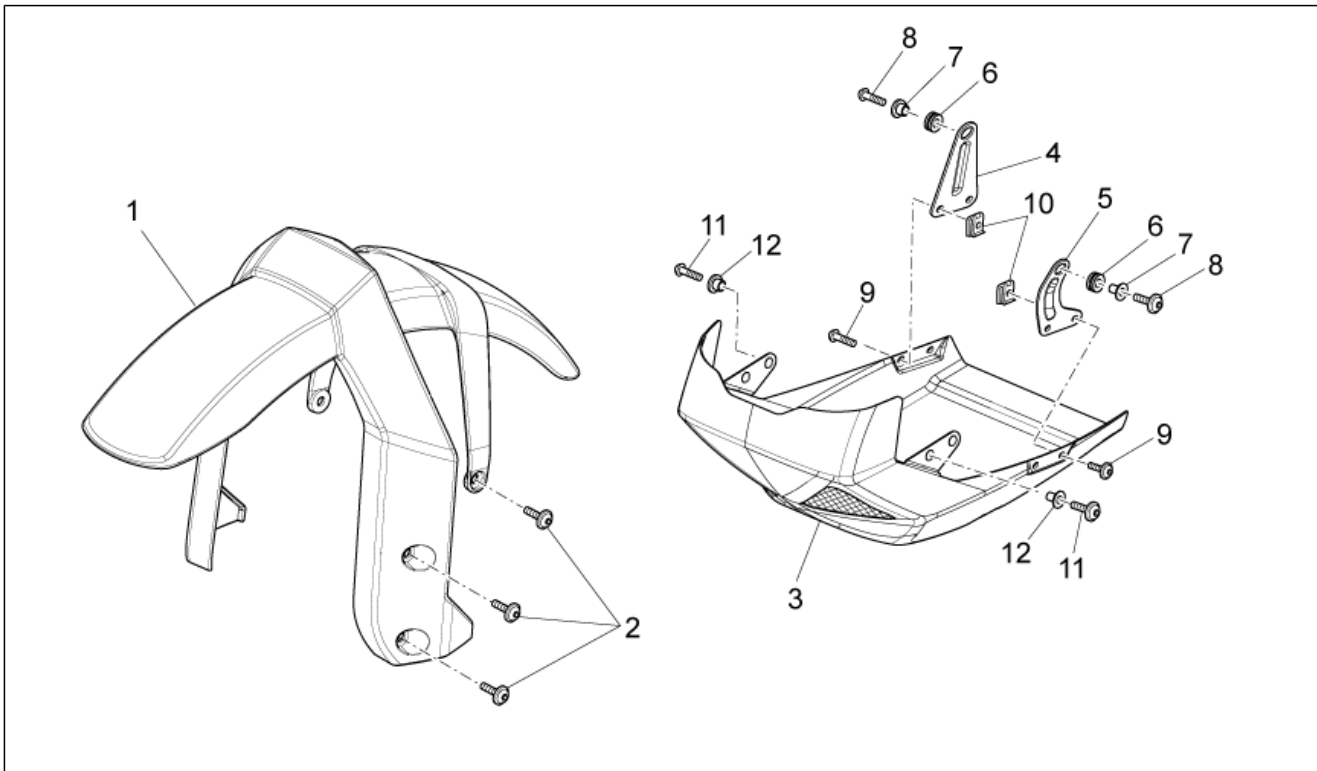
Pos.	Code	Beschrijving	Aant.	Varianten
8	89763900Y11	Kanaal re	1	Kleur van het voertuig: Nero competition 2011(s.t.886899) [blc] Technical specification: NTX version[NTX]
9	897640	Convogliatore sx grezzo	1	
9	89764000NI	Kanaal li	1	Kleur van het voertuig: Arancio rame 2011 (s.t.886902)[ar], Nero Guzzi 2011(s.t.886901)[blg], Bianco diamante 2011 (s.t.886900)[whd] Technical specification: Versione Standard[Std]
9	89764000Y11	Kanaal li	1	Kleur van het voertuig: Nero competition 2011(s.t.886899) [blc] Technical specification: NTX version[NTX]
10	AP8152339	Bolbout met binnenzeskant, geflenst M5x9	1	
11	248419	Spring plate m5	4	
12	AP8102381	Clip M4	2	
13	AP8150450	Sluitring voor assen D5	8	
14	AP8144065	Rubbetje	8	
15	AP8152302	Bolbout met binnenzeskant, geflenst M5x12	2	

Groep	FRAME
Code	33.17
Beschrijving	Central body
Revisie	1



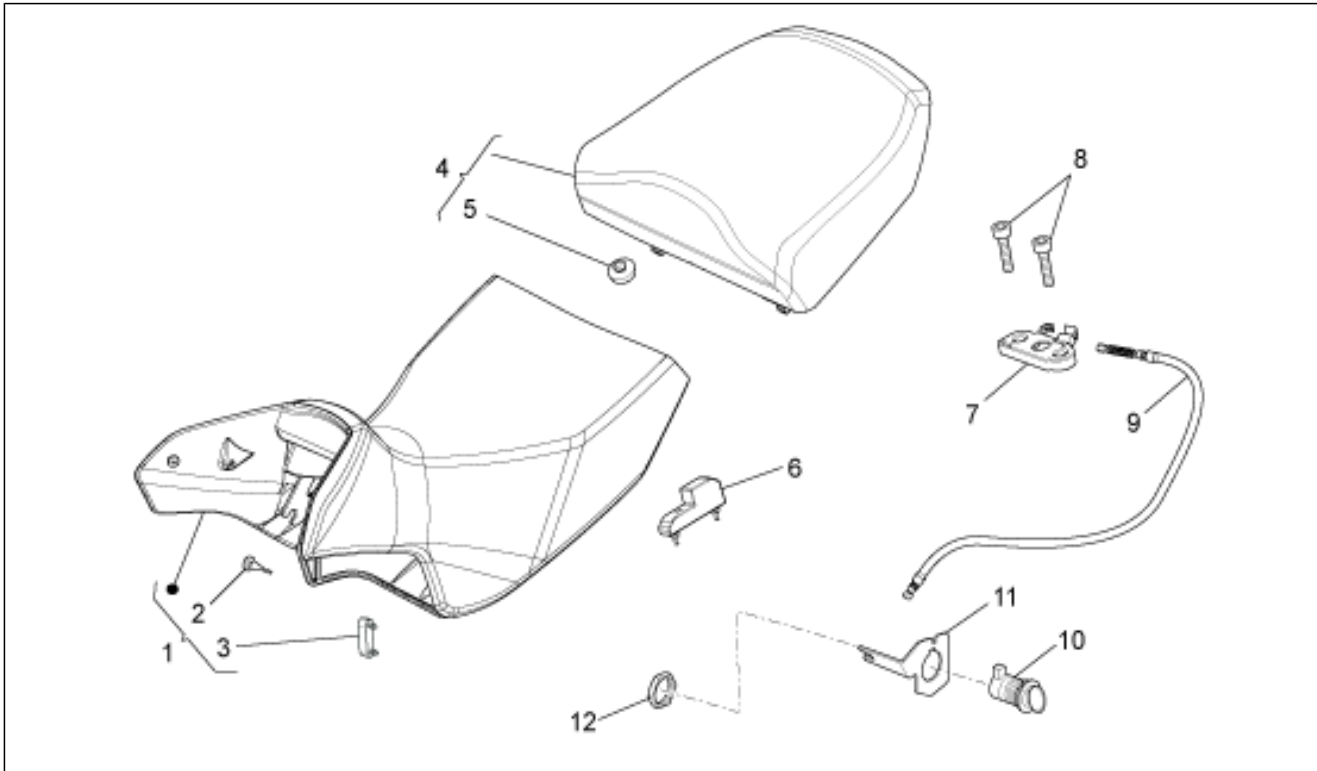
Pos.	Code	Beschrijving	Aant.	Varianten
1	898165	Copertura serbatoio grezza	1	
1	89816500NI	Copertura serbatoio	1	
2	AP8152339	Bolbout met binnenzeskant, geflenst M5x9	4	
3	978152	Rubbertje	2	
4	GU91180600	Afstandhouder 6,25x8x5	2	
5	248419	Spring plate m5	2	

Groep	FRAME
Code	33.18
Beschrijving	Front mud.-Pillar
Revisie	1



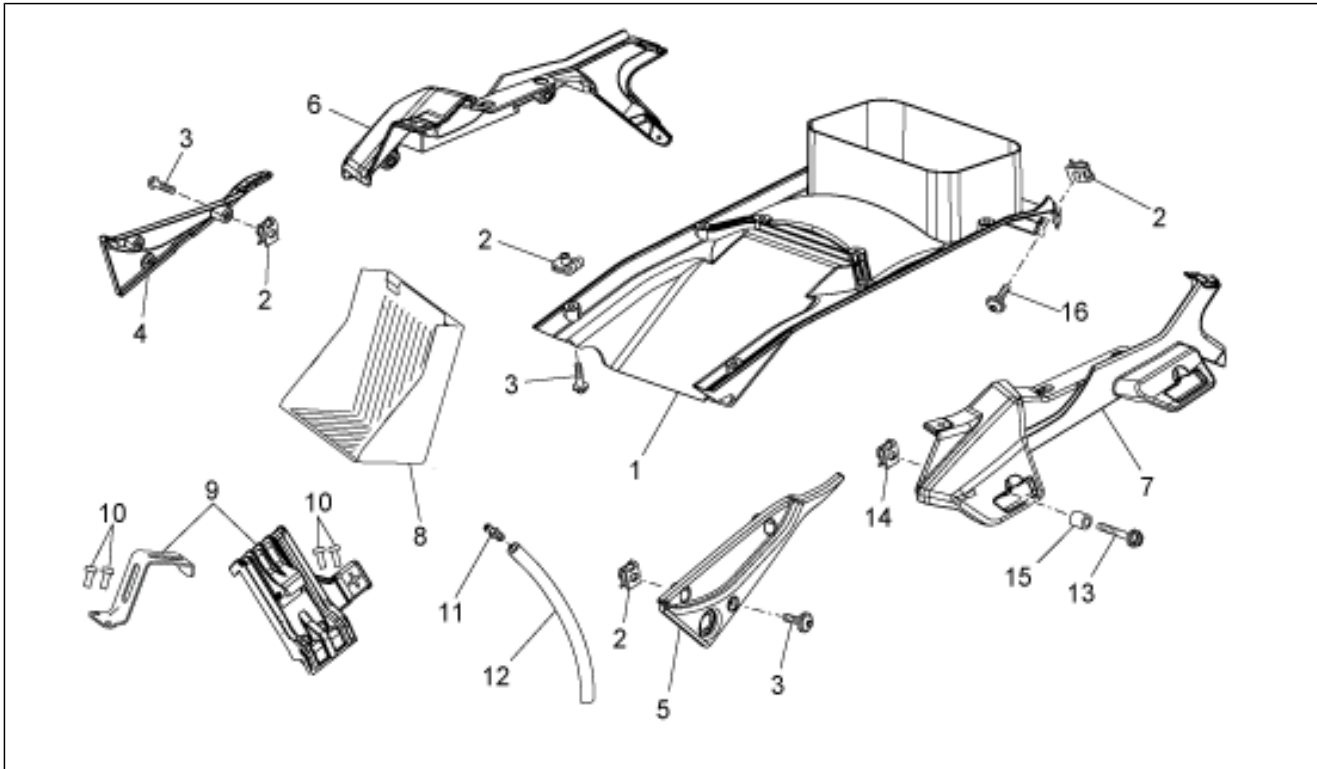
Pos.	Code	Beschrijving	Aant.	Varianten
1	88625400BM	Spatbord voor.v.wit	1	Kleur van het voertuig: Bianco diamante 2011 (s.t.886900) [whd] Technical specification: Versione Standard[Std]
1	88625400NI	Spatbord voor.v.zwart	1	Kleur van het voertuig: Nero competition 2011(s.t.886899) [blc] Technical specification: NTX version[NTX]
1	88625400Y02	Spatbord voor.v.zwart	1	Kleur van het voertuig: Nero Guzzi 2011(s.t.886901)[blg] Technical specification: Versione Standard[Std]
1	88625400YA2	Spatbord voor.v.oranje	1	Kleur van het voertuig: Arancio rame 2011 (s.t.886902)[ar] Technical specification: Versione Standard[Std]
1	978445	Spatbord voor.ruw	1	
2	AP8152302	Bolbout met binnenzeskant, geflenst M5x12	6	
3	886329	Punt bekleding zwart	1	
4	978777	Beugel re	1	
5	978776	Beugel li	1	
6	GU91551010	Rubbetje	2	
7	AP8221128	'T'-vormige huls 8,5x10,7x12	2	
8	GU98350425	Bolbout met binnenzeskant	2	
9	AP8152339	Bolbout met binnenzeskant, geflenst M5x9	4	
10	248419	Spring plate m5	4	
11	GU98350416	Bolbout met binnenzeskant	4	
12	AP8121096	'T'-vormige huls 8,2x12x4	4	

Groep	FRAME
Code	33.19
Beschrijving	Saddle
Revisie	1



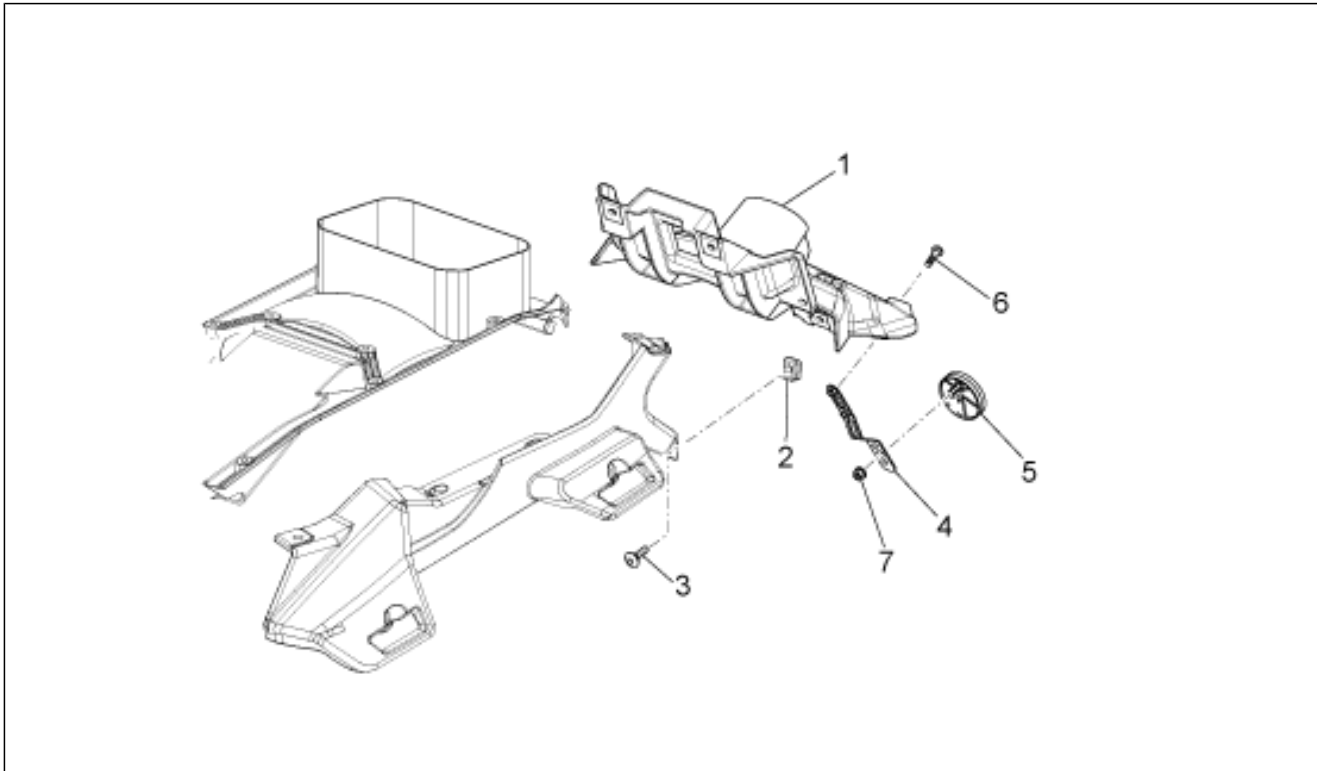
Pos.	Code	Beschrijving	Aant.	Varianten
1	88617600A2	Zadel van de bestuurder	1	
2	AP8120001	Rubbertje	2	
3	AP8126701	Rubbertje zadel	2	
4	88621100A2	Zadel van de passagier	1	
5	GU32461610	Rubbertje	5	
6	886175	Rubbertje	4	
7	AP8102913	Koppelingsplaat zadel pass.	1	
8	GU98370625	Bolbout met binnenzeskant	2	
9	883048	Kabel slot zadel	1	
10	GU05466830	Zadelslot	1	
11	AP8134948	Plaatje	1	
12	AP8102523	Moer slot	1	

Groep	FRAME
Code	33.20
Beschrijving	Rear body I
Revisie	1



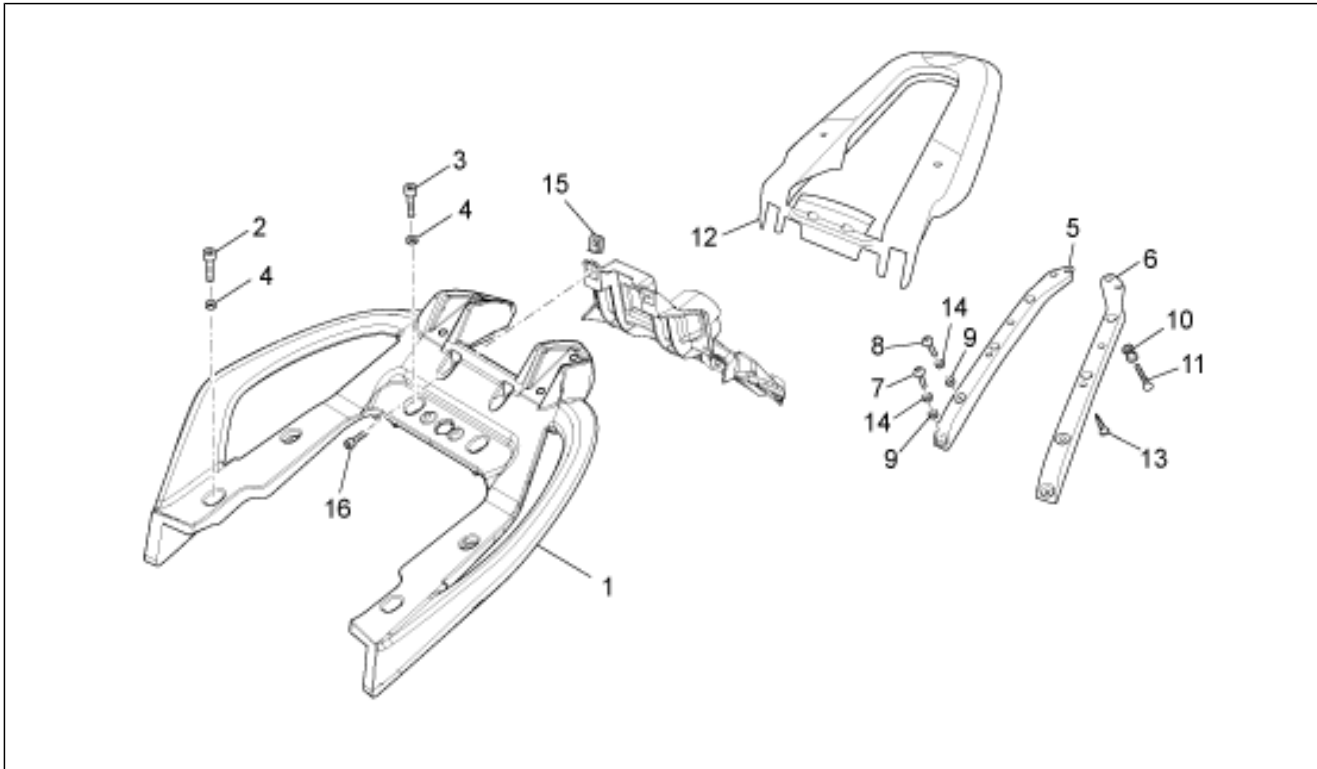
Pos.	Code	Beschrijving	Aant.	Varianten
1	886647	Spatbordjes	1	
2	248419	Spring plate m5	9	
3	AP8152339	Bolbout met binnenzeskant, geflenst M5x9	10	
4	883024	Zijplaatje re	1	
5	883023	Zijplaatje li	1	
6	886206	Houder koffer re	1	
7	886207	Houder koffer li	1	
8	883617	Accukast	1	
9	886205	Bevestigingsplaat accu	1	
10	AP8152329	Bout SWP kruiskop gefl. M5x20	2	
11	GU06704700	Verbinding	1	
12	AP8220263	Ontluchtungsbus 4x8	1	
13	AP8152280	Zeskantbout geflenst M6x25	4	
14	GU28576592	Kramv. moer M6	4	
15	883177	Beslagring 6,2x10x10,7	4	
16	AP8152302	Bolbout met binnenzeskant, geflenst M5x12	2	

Groep	FRAME
Code	33.21
Beschrijving	Rear body II
Revisie	1



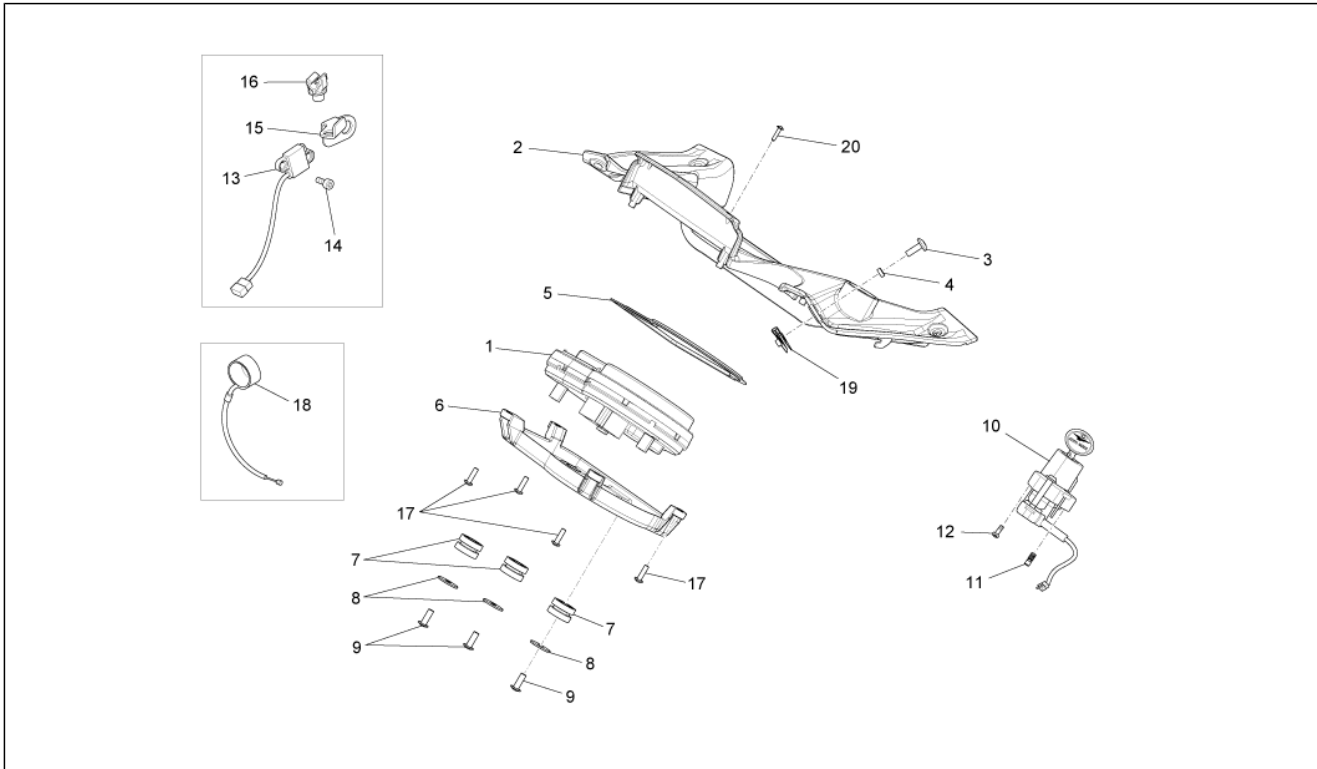
Pos.	Code	Beschrijving	Aant.	Varianten
1	978425	Nummerplaathouder	1	
2	248419	Spring plate m5	2	
3	AP8152302	Bolbout met binnenzeskant, geflenst M5x12	2	
4	AP8134448	Houder reflector	1	
5	AP8224164	Reflector rood	1	
6	AP8152268	Speciale bolbout met binnenzeskant	2	
7	AP8152306	Zelfborg.bout gefl.	1	

Groep	FRAME
Code	33.22
Beschrijving	Rear handle - Luggage rack
Revisie	1



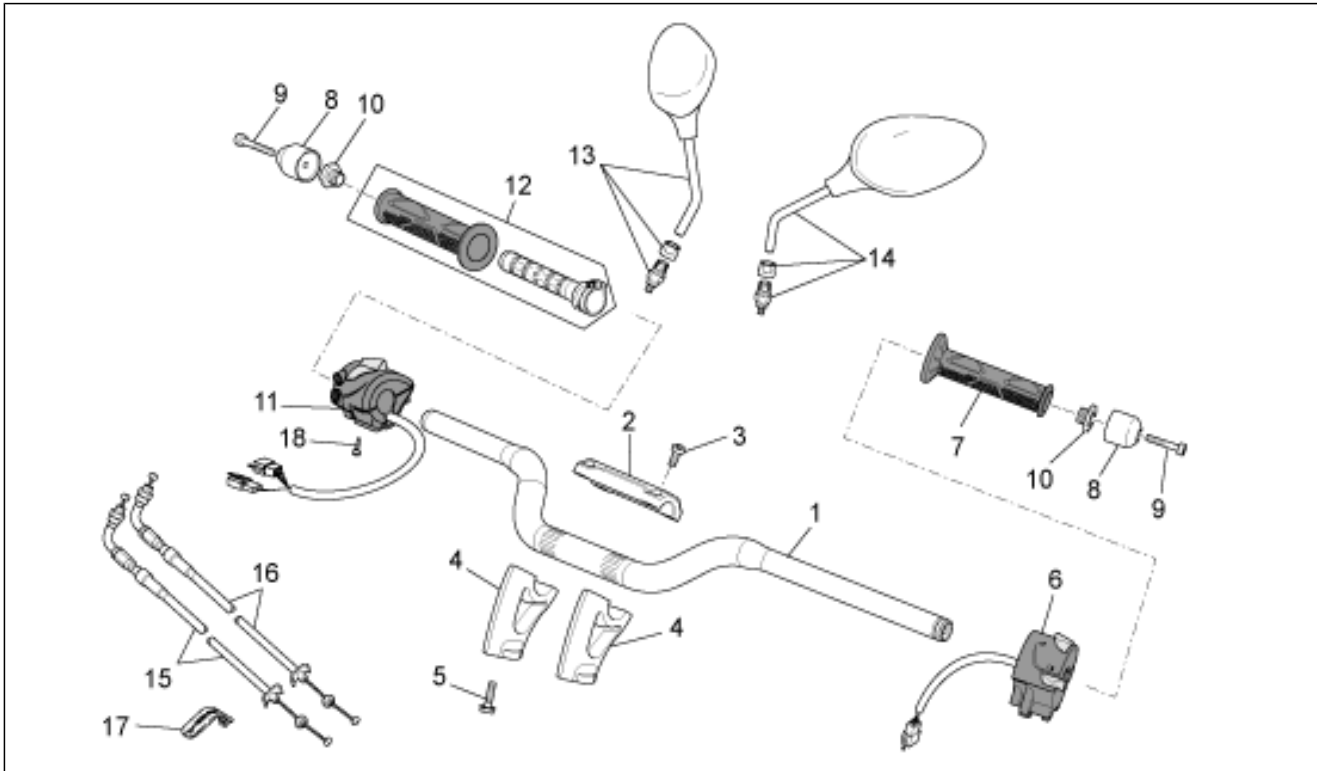
Pos.	Code	Beschrijving	Aant.	Varianten
1	97843900Y10	Handgreep pass.	1	
2	GU98682425	Binnenzeskantbout M8x25	4	
3	GU98682416	Binnenzeskantbout	2	
4	GU14615901	Sluitring 8,4X13X0,8	6	
5	GU05466630	Steun bagagedrager re	1	
6	GU05466631	Steun bagagedrager li	1	
7	GU98230820	Bolbout met binnenzeskant M8x20	2	
8	GU98350430	Bolbout met binnenzeskant M8x30	2	
9	AP8152154	Sluitring 8,4x13*	4	
10	AP8121890	Huls standaard acht.	2	
11	GU98250635	Binnenzeskantbout met verzonken kop M6x35	2	
12	883047	Bedekking bagagedrager	1	
13	AP8150509	Zelftap. bout 5x14	4	
14	GU03013800	Sluitring 6,4x12	4	
15	248419	Spring plate m5	2	
16	AP8152302	Bolbout met binnenzeskant, geflenst M5x12	2	

Groep	FRAME
Code	33.23
Beschrijving	Dashboard
Revisie	1



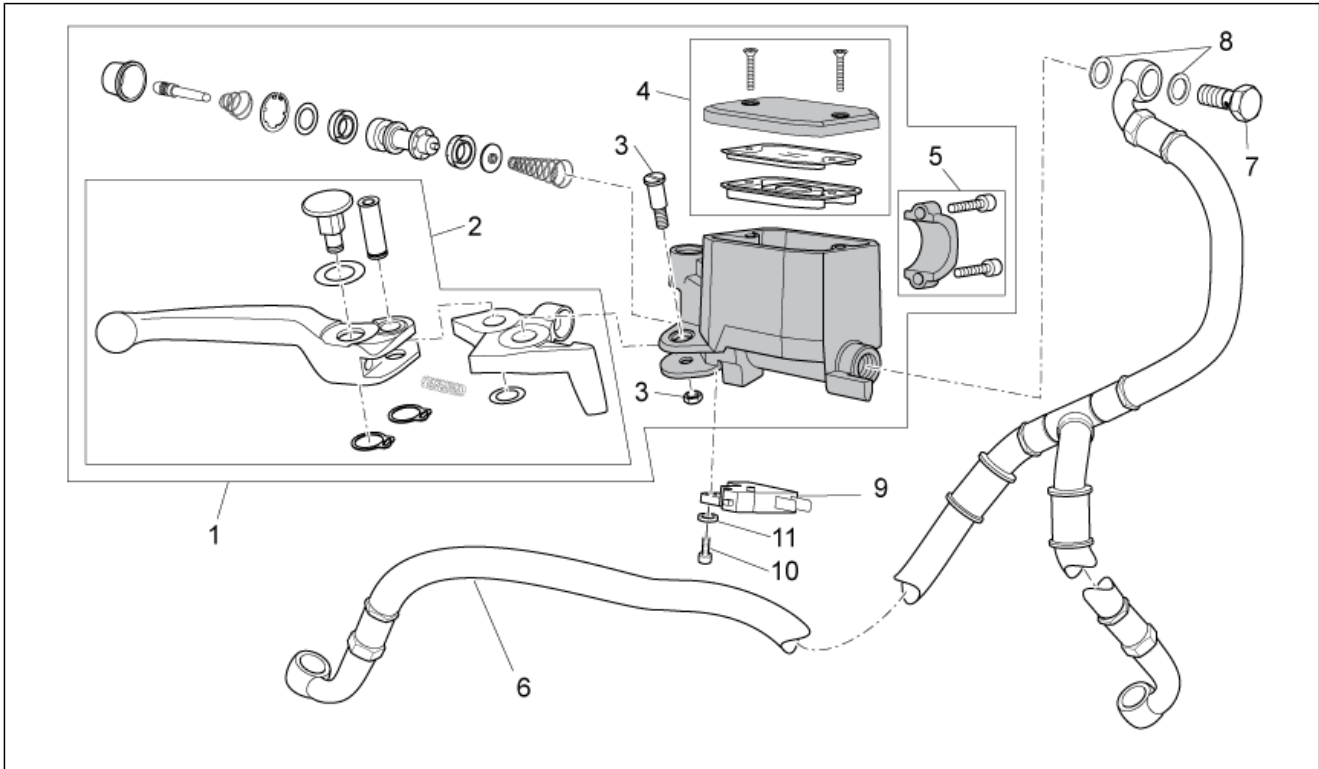
Pos.	Code	Beschrijving	Aant.	Varianten
1	897645	Dashboard	1	
2	89816600NI	Omlijsting dashboard	1	Technical specification: Versione Standard[Std]
2	89816600Y11	Omlijsting dashboard	1	Technical specification: NTX version[NTX]
3	976614	Bout	4	
4	GU91180601	Afstandhouder 6,2x8x3	2	
5	978449	Pakking	1	
6	886819	Steun dashboard	1	
7	AP8220150	Rubbetje *	3	
8	AP8150255	Sluitring 5x20x1,5	3	
9	AP8150509	Zelftap. bout 5x14	3	
10	GU05782530	Starblokje-blokk.	1	
11	AP8152238	Trekbout	1	
12	GU98682430	Binnenzeskantbout M8x30	1	
13	883768	Snelheidssensor	1	Technical specification: Version without ABS[No ABS]
14	AP8152043	Binnenzeskantbout M4x10	2	Technical specification: Version without ABS[No ABS]
15	GU06765500	Kabelgang	1	Technical specification: Version without ABS[No ABS]
16	AP8121882	Kabelgeleider	1	Technical specification: Version without ABS[No ABS]
17	AP8150413	Zelftap. bout 3,9x14	2	
18	981087	Antenne van de immobilizer	1	
19	248419	Spring plate m5	4	
20	AP8150421	Zelftap. bout 2,9x12	2	

Groep	FRAME
Code	33.24
Beschrijving	Handlebar - Controls
Revisie	1



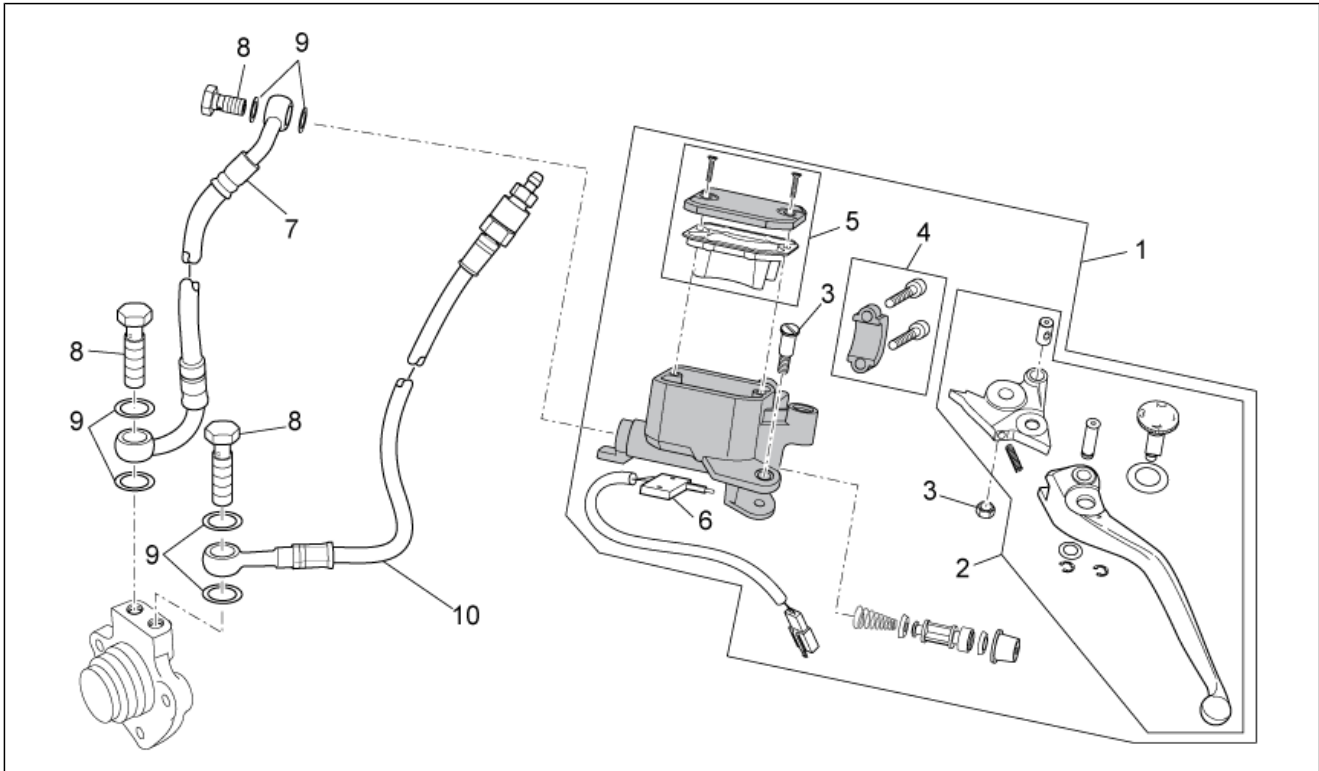
Pos.	Code	Beschrijving	Aant.	Varianten
1	978040	Stuur	1	
2	978821	Standaard bov.	1	
3	GU98700430	Bout tcc M8x30	4	
4	978042	Beugel ond.	2	
5	AP8152325	Zeskantbout geflenst	2	
6	886229	Schak.lichten li	1	
7	AP8118579	Handvat li	1	
8	AP8104572	Antitrilgewicht v.zwart	2	
9	AP8150342	Binnenzeskantbout M6x70	2	
10	886234	Terminal antitrilgewicht	2	
11	883543	Mechanisme engine stop-start	1	Technical specification: Version without ABS[No ABS]
11	886159	Mechanisme engine stop-start	1	Technical specification: ABS version[ABS]
12	GU01603480	Handvat re	1	
13	AP8104921	Achteruitkijkspiegel re	1	
14	AP8104922	Achteruitkijkspiegel li	1	
15	85222R	Kabel opening gas	1	
16	85223R	Kabel sluiting gas	1	
17	GU01609630	Klemmetje L46 mm	4	
18	978059	Zelftap. bout	1	

Groep	FRAME
Code	33.25
Beschrijving	Front master cilinder
Revisie	1



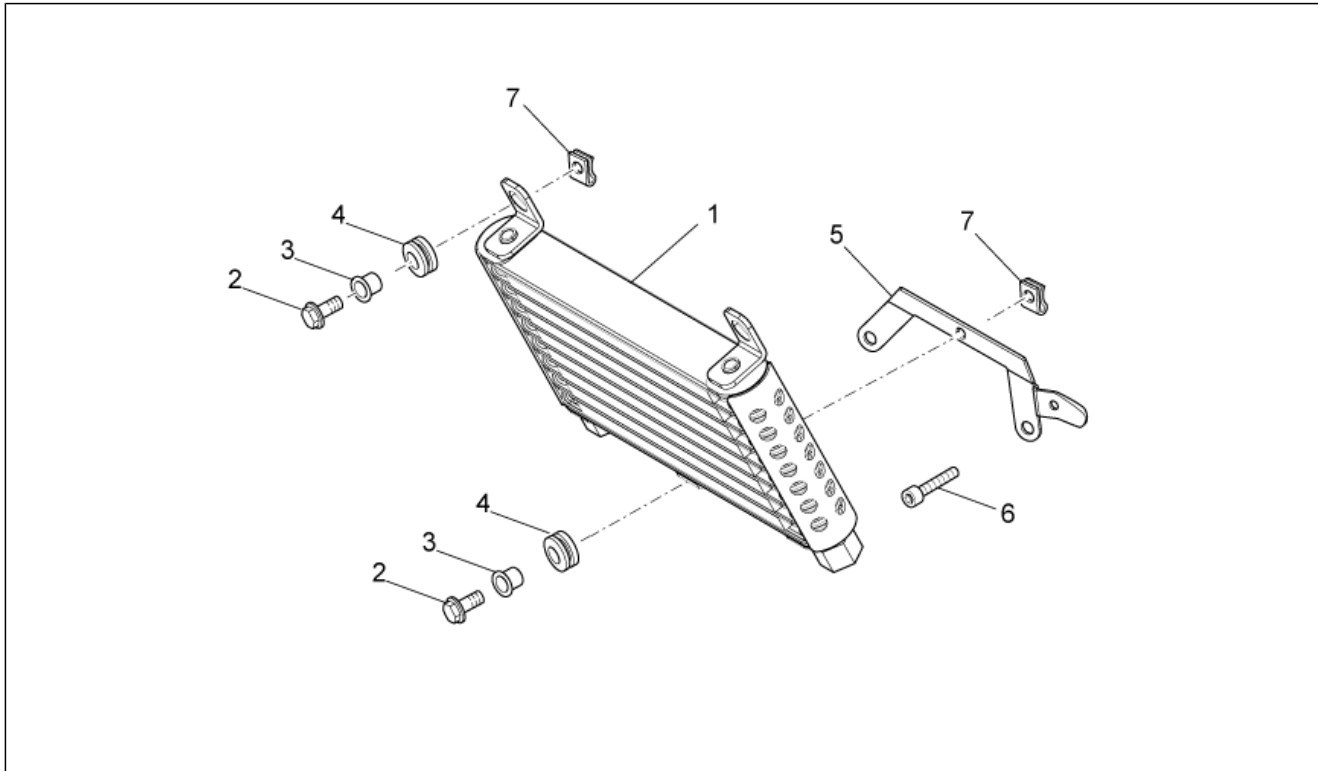
Pos.	Code	Beschrijving	Aant.	Varianten
1	978606	Pomp voorrem	1	
2	981050	Hendel voorrem.	1	
3	AP8113995	Pin hendel	1	
4	GU05661130	Tankdop	1	
5	AP8113993	Beugel	1	
6	978784	Leiding voorrem	1	Technical specification: Version without ABS[No ABS]
7	AP8133962	Bout olieleiding *	1	Technical specification: Version without ABS[No ABS]
8	GU25656100	Pakking in aluminium	2	
9	GU03749845	Stopschakelaar	1	
10	GU98370412	Bolbout met binnenzeskant M4x12	1	
11	GU95021104	Sluitring 4,3x8x1,5	1	

Groep	FRAME
Code	33.26
Beschrijving	Clutch control complete
Revisie	1



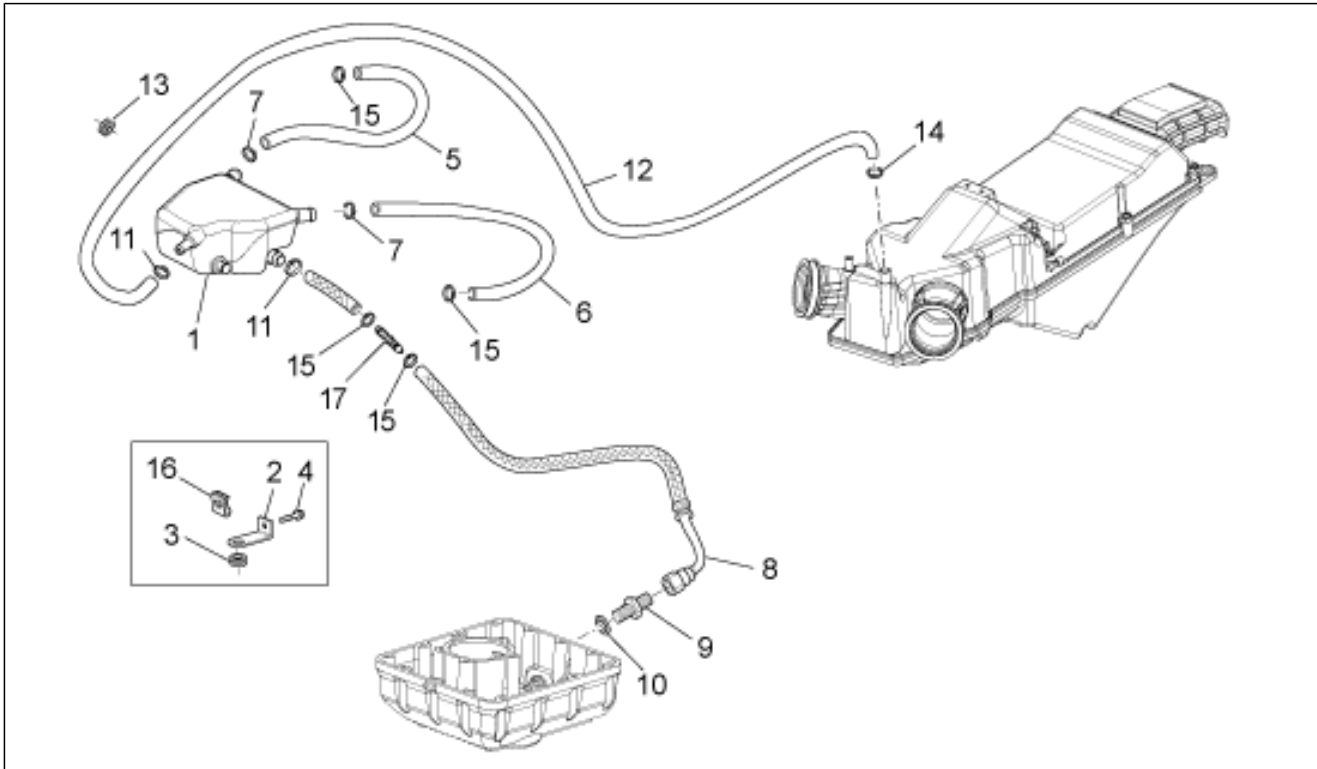
Pos.	Code	Beschrijving	Aant.	Varianten
1	978607	Pomp koppeling	1	
2	981046	Koppelingshendel	1	
3	GU03604845	Pin hendel	1	
4	AP8113993	Beugel	1	
5	AP8113997	Tankdop	1	
6	AP8113998	Microschakelaar	1	
7	978911	Buis koppeling	1	
8	AP8113003	Bout olieleiding *	3	
9	AP8113004	Sluitring 10x14x1,6*	6	
10	GU05606630	Buis ontl. koppeling	1	

Groep	FRAME
Code	33.27
Beschrijving	Oil cooler
Revisie	1



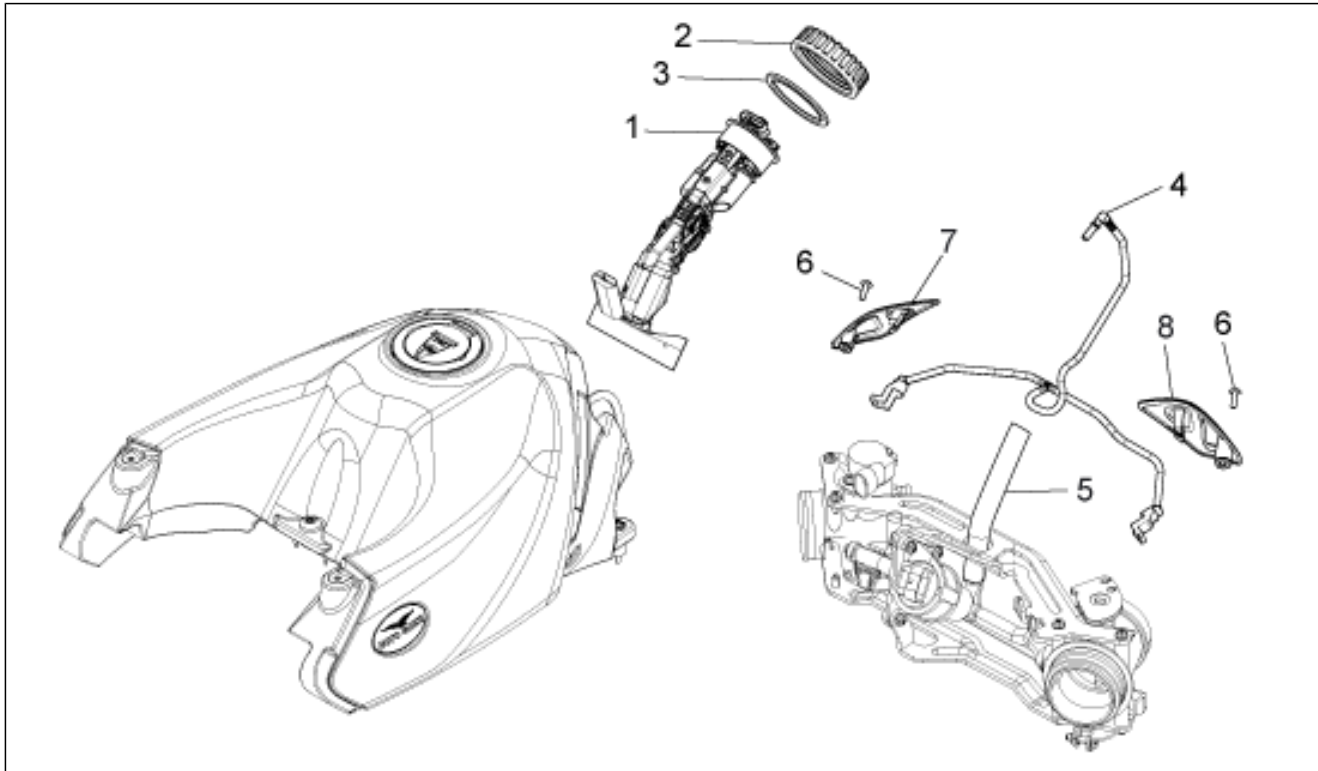
Pos.	Code	Beschrijving	Aant.	Varianten
1	978579	Radiator olie cpl.	1	
2	AP8152280	Zeskantbout geflenst M6x25	3	
3	AP8221023	'T'-vormige huls *	3	
4	AP8120030	Rubbertje *	3	
5	978846	Steun radiator	1	
6	GU98680340	Binnenzeskantbout	2	
7	GU28576591	Clip M6	1	

Groep	FRAME
Code	33.28
Beschrijving	Blow-by system
Revisie	1



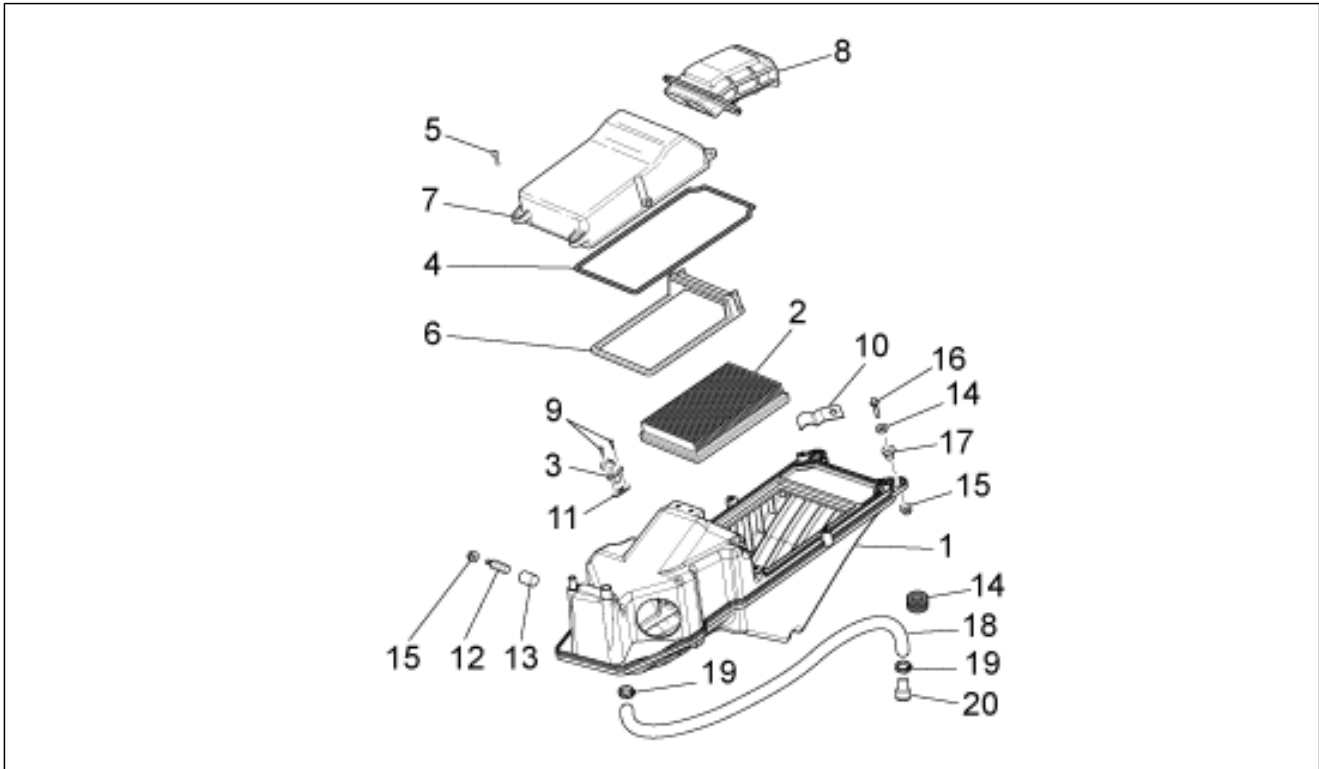
Pos.	Code	Beschrijving	Aant.	Varianten
1	886098	Expansievat	1	
2	GU06412300	Plaatje	1	
3	AP8120030	Rubbertje *	1	
4	598839	Zeskantbout geflenst	1	
5	883034	Buis re	1	
6	883035	Buis li	1	
7	AP8102349	Klikband wit D17,5x8	2	
8	883036	Buis circul.	1	
9	GU01161331	Reductie	1	
10	GU01154230	Pakking in aluminium	1	
11	AP8102765	Klikband wit D.13,5x6	2	
12	GU00823955080	Ontluchttingsbuis	1	
13	AP8220162	Rubbertje	1	
14	AP8102764	Klikband wit d.13x6	1	
15	AP8101586	Klikband D.15,5x6,6	4	
16	GU28576591	Clip M6	1	
17	886339	Tweewegsverbinding	1	

Groep	FRAME
Code	33.29
Beschrijving	Fuel supply
Revisie	1



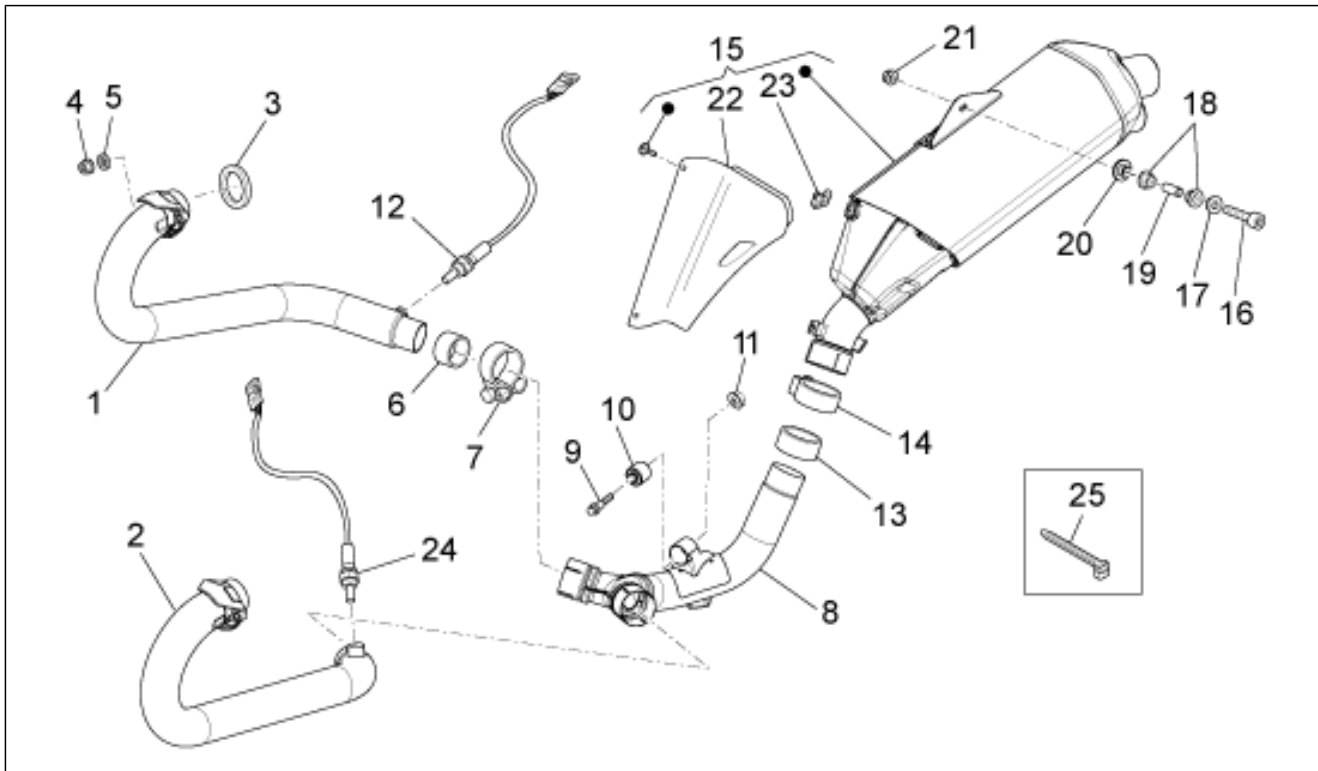
Pos.	Code	Beschrijving	Aant.	Varianten
1	897636	Benzinepomp	1	
2	AP8158359	Moer	1	
3	854937	Pakking	1	
4	897618	petrol tube	1	
5	883633	Ontluchttingsbuis stepper	1	
6	GU98680222	Binnenzeskantbout	2	
7	883092	Bescherming re	1	
8	883093	Bescherming li	1	

Groep	FRAME
Code	33.30
Beschrijving	Air box
Revisie	1



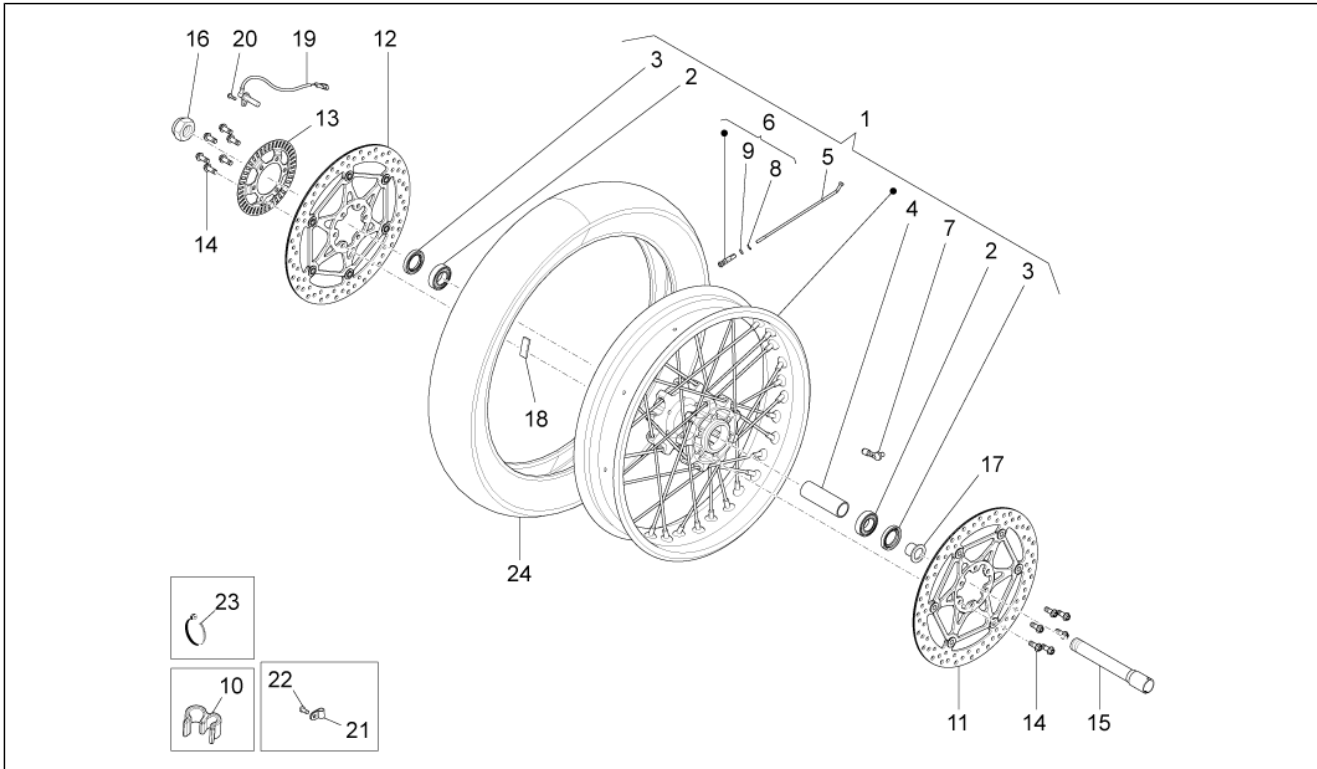
Pos.	Code	Beschrijving	Aant.	Varianten
1	877062	Filterkast	1	
2	AP8104329	Luchtfilter	1	
3	GU30729330	Sensor luchttemperatuur	1	
4	890513	Pakking D4	1	
5	AP8152329	Bout SWP kruiskop gefl. M5x20	6	
6	GU06114200	Wand	1	
7	GU06113700	Bedekking	1	
8	AP8144164	Aanzuigingsmof	1	
9	AP8150421	Zelftap. bout 2,9x12	2	
10	GU93301313	Beugel	1	
11	GU30027931	Pakking	1	
12	883097	Pin st.filterkast	2	
13	AP8220526	Rubbetje	2	
14	AP8120030	Rubbetje *	2	
15	GU92650036	Moer geflenst M6	2	
16	AP8152280	Zeskantbout geflenst M6x25	2	
17	AP8221023	'T'-vormige huls *	2	
18	AP8144038	Benzineleiding 6x10	2	
19	AP8101595	Klemmetje D10,1*	4	
20	AP8120876	Sluitdop	2	

Groep	FRAME
Code	33.31
Beschrijving	Exhaust unit
Revisie	1



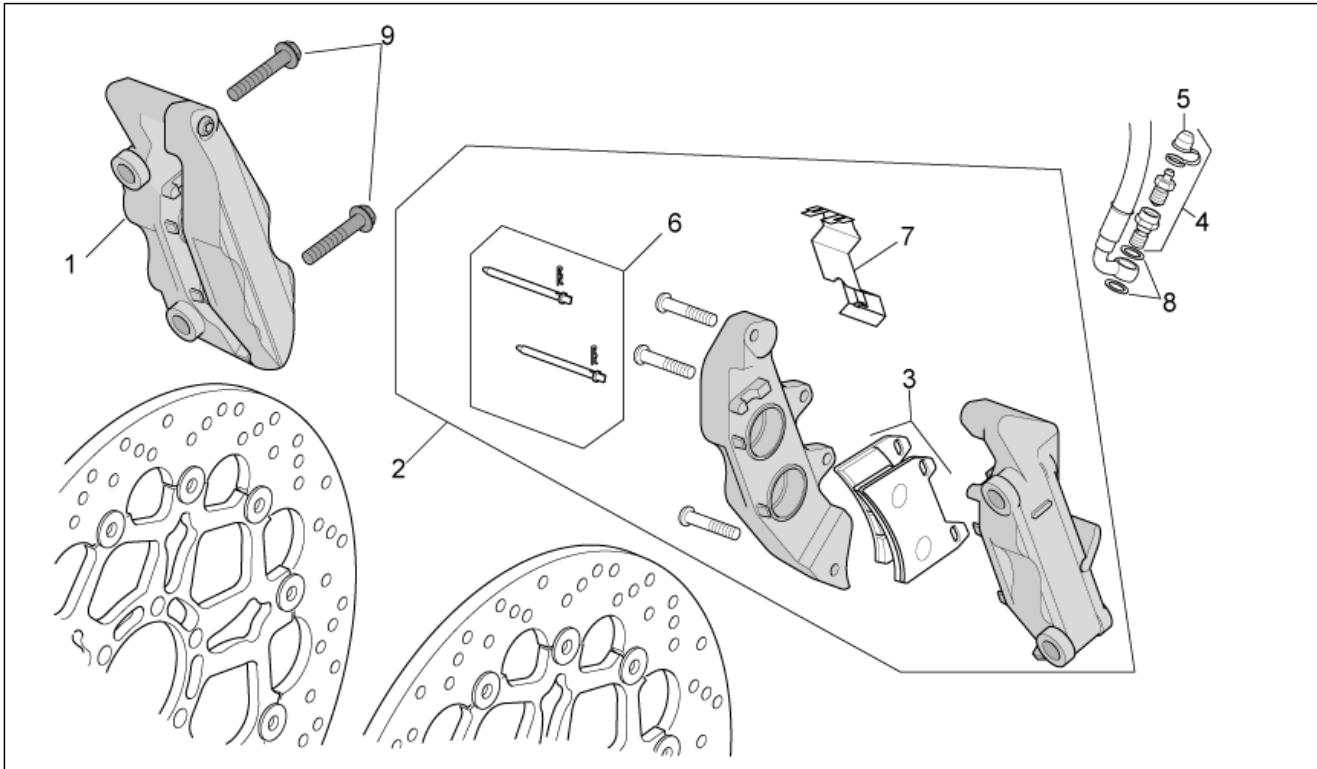
Pos.	Code	Beschrijving	Aant.	Varianten
1	897622	Buis afvoer re	1	
2	897623	Buis uitlaat li	1	
3	976376	Pakking	2	
4	GU92660021	Moer geflenst M8	4	
5	GU14615901	Sluitring 8,4X13X0,8	4	
6	GU06123500	Pakking	2	
7	883094	Klemmetje	2	
8	897624	Buis uitlaat centr.	1	
9	AP8152410	Zeskantbout geflenst M10x55	1	
10	AP8220346	Silent-block	1	
11	AP8152301	Zelfborg.bout gefl.	1	
12	896110	Lambdasonde	1	
13	GU05128230	Pakking	1	
14	976521	Klemmetje	1	
15	886307	Geluiddemper	1	
16	GU98680460	Binnenzeskantbout M8x60	1	
17	AP8134378	Huls bevestiging geluiddemper	1	
18	AP8144071	Rubbertje uitlaat	2	
19	AP8121072	Afstandhouder	1	
20	977582	Afstandhouder	1	
21	GU92650138	Moer M8x1,25	1	
22	978444	Bescherming	1	
23	GU28576591	Clip M6	2	
24	584344	Lambdasonde	1	
25	GU93304390	Klemmetje 3,6x375	1	

Groep	FRAME
Code	33.33
Beschrijving	Front wheel
Revisie	1



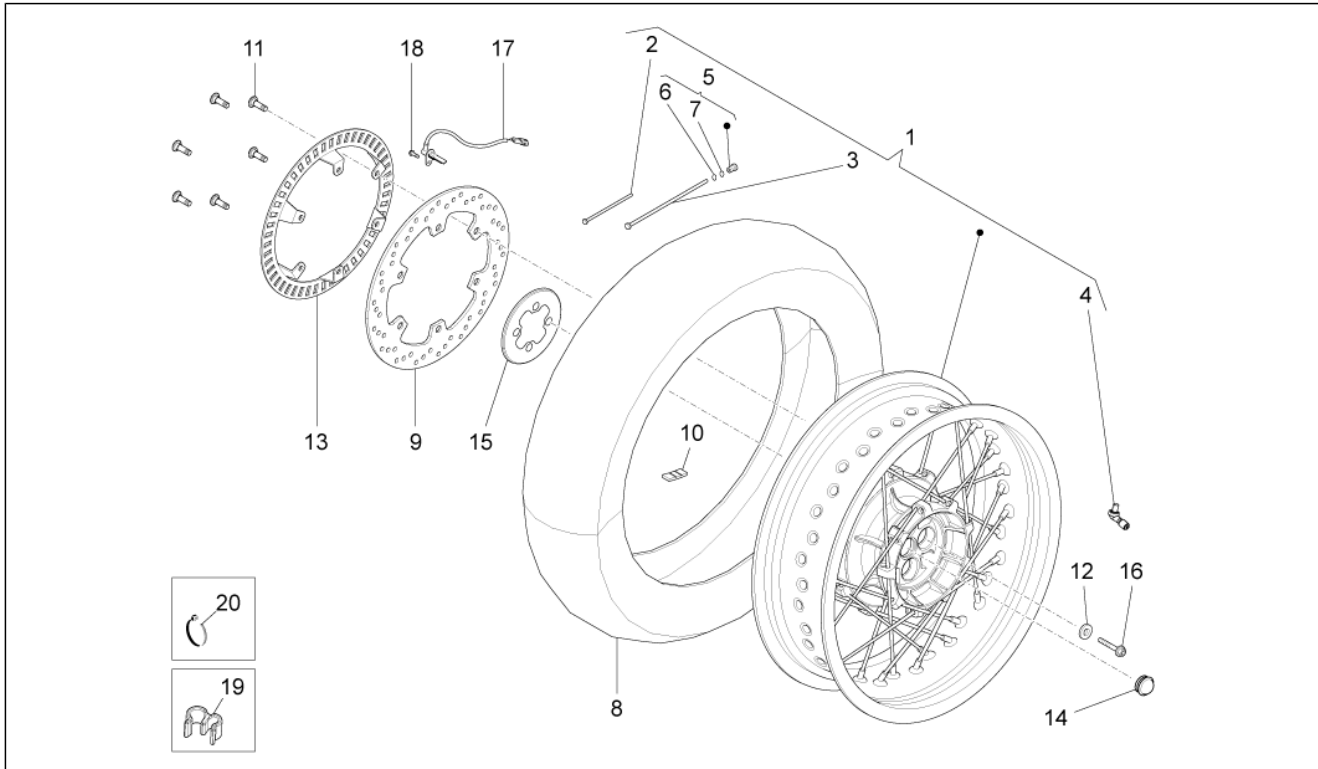
Pos.	Code	Beschrijving	Aant.	Varianten
1	883009	Voorwiel naked 3,50x19"	1	
2	AP8125777	Kogellager 25x47x12	2	
3	AP8125773	Dichtingsring 30x47x7	2	
4	978516	Afstandhouder lagere	1	
5	978864	Spaak	36	
6	978810	Nippels L=34	36	
7	AP8101744	Klep tubeless	1	
8	978811	Elastische ring	36	
9	GU90706061	OR-ring OR2025	36	
10	894704	Kabelgang	3	
11	896012	Remschijf voor	1	
12	896011	Remschijf voor	1	
13	AP8128189	Geluidswiel	1	
14	AP8152286	Zeskantbout geflenst M8x20	12	
15	978030	Pin voorwiel	1	
16	GU01612190	Moer	1	
17	GU06616300	Afstandhouder	1	
18	GU14616150	Tegengewicht	1	
19	859792	Sensor ABS	1	
20	AP8152273	Geflenste bout	1	
21	859777	Kabelgang	3	
22	AP8201749	Bolbout M4x6	1	
23	GU49609601	Klemmetje 2,4x92	1	
24	886311	Voorband 110/80 R19	1	

Groep	FRAME
Code	33.34
Beschrijving	Front brake caliper
Revisie	1



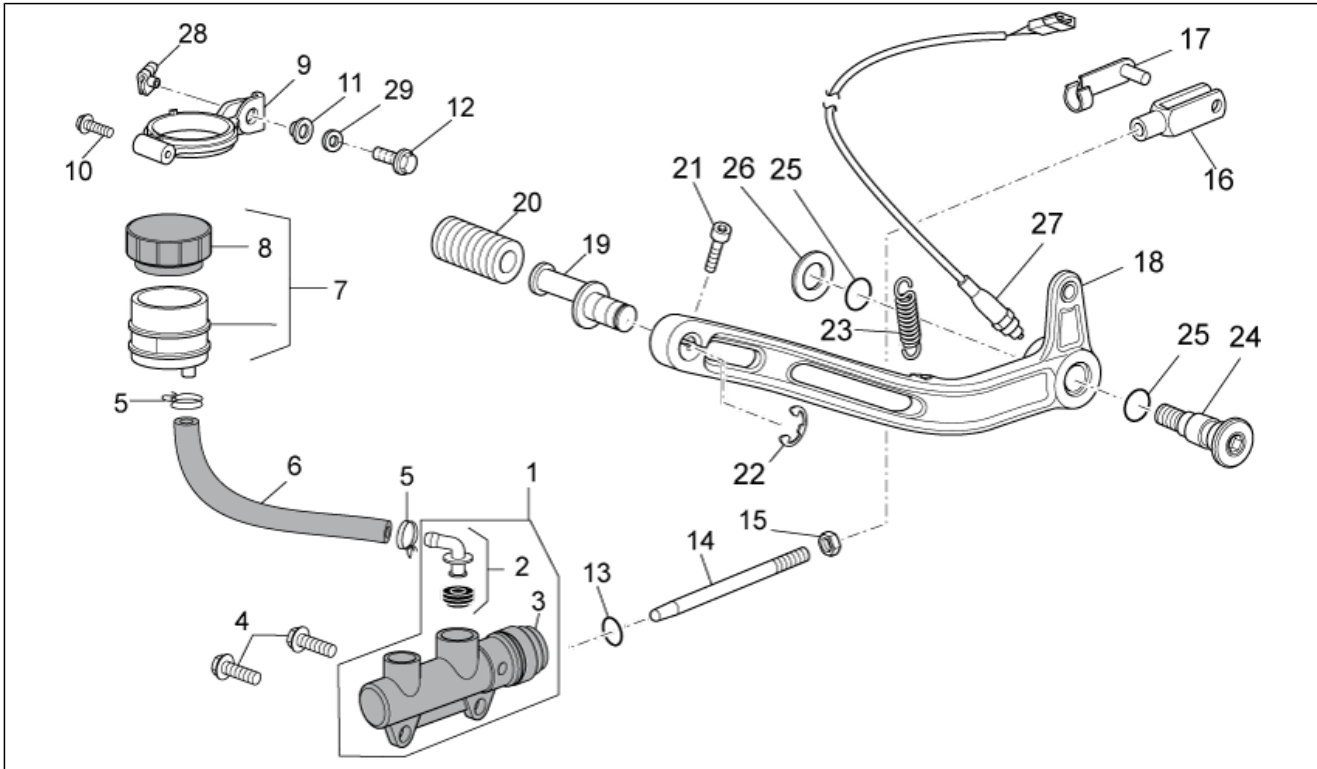
Pos.	Code	Beschrijving	Aant.	Varianten
1	887067	Tang voorrem re	1	Technical specification: ABS version[ABS]
1	978464	Tang voorrem re zwart P432	1	Technical specification: Version without ABS[No ABS]
2	887068	Tang voorrem li	1	Technical specification: ABS version[ABS]
2	978465	Tang voorrem li zwart P432	1	Technical specification: Version without ABS[No ABS]
3	887070	Pastilles -koppel	2	Technical specification: ABS version[ABS]
3	GU01654630	Pastilles - koppel	2	Technical specification: Version without ABS[No ABS]
4	AP8133945	Kit ontluchting	2	
5	AP8113070	Kapje ontluchting	2	
6	GU01659130	Pinnen+Veren tang	2	
7	GU01659131	Veer	2	
8	GU25656100	Pakking in aluminium	4	
9	AP8152414	Zeskantbout geflenst M10x55	4	

Groep	FRAME
Code	33.35
Beschrijving	Rear wheel
Revisie	1



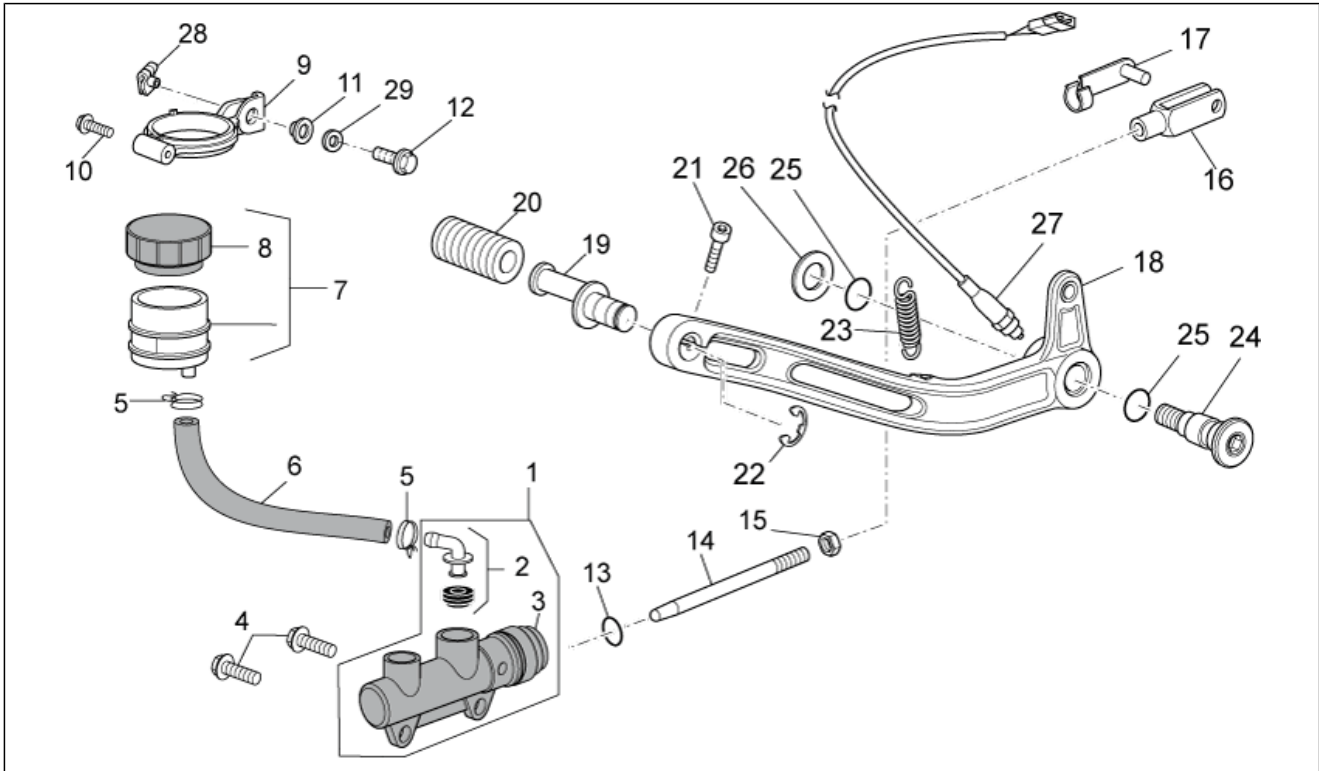
Pos.	Code	Beschrijving	Aant.	Varianten
1	883433	Achterwiel naked 4,25X17"	1	
2	978815	Spaak kort	36	
3	978816	Spaak lang	36	
4	978814	Klep tubeless	1	
5	978810	Nippels L=34	36	
6	978811	Elastische ring	36	
7	GU90706061	OR-ring OR2025	36	
8	886312	Pneumatico posteriore 150/70 R17	1	
9	GU05635730	Remschijf acht.	1	
10	GU14616150	Tegengewicht	1	
11	AP8152272	Zeskantbout geflenst	6	
12	GU05632730	Conische huls	4	
13	GU05681530	Geluidswiel	1	
14	978301	Dop	1	
15	977056	Stofkeerring	1	
16	GU97202665	Zeskantbout geflenst M12x65	4	
17	GU05683730	Sensor	1	
18	598839	Zeskantbout geflenst	1	
19	894704	Kabelgang	4	
20	GU49609601	Klemmetje 2,4x92	1	

Groep	FRAME
Code	33.36
Beschrijving	Rear master cylinder
Revisie	1



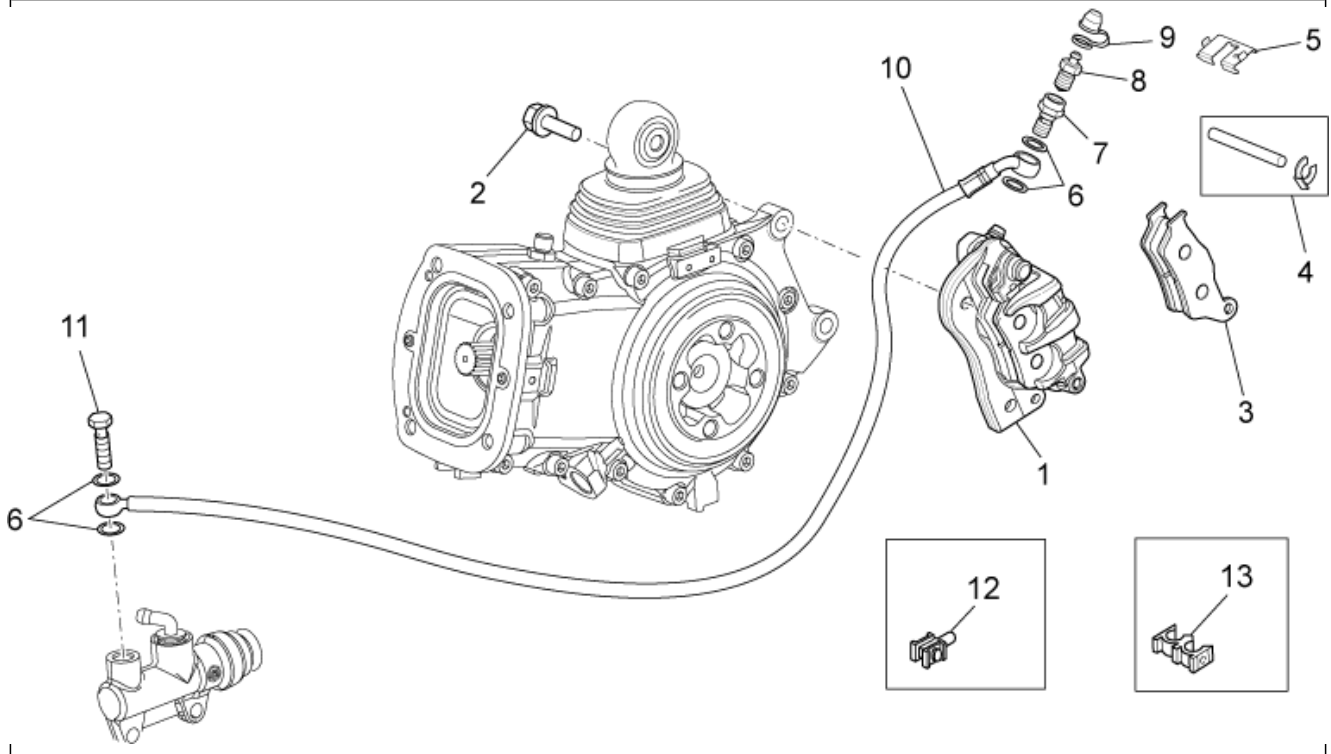
Pos.	Code	Beschrijving	Aant.	Varianten
1	GU0566930	Pomp achterrem	1	
2	AP8113594	Verbinding pomp acht.	1	
3	AP8113288	Blower van rubber	1	
4	AP8152279	Zeskantbout geflenst M6x20	2	
5	AP8101595	Klemmetje D10,1*	2	
6	AP8133779	Buis achterrem	1	
7	GU05663530	Olierservoir remmen cpl.	1	
8	GU17661052	Tankdop	1	
9	GU05666030	Steun tank	1	
10	AP8152329	Bout SWP kruiskop gefl. M5x20	1	
11	AP8221145	'T'-vormige huls *	1	
12	598839	Zeskantbout geflenst	1	
13	AP8120178	OR-ring OR112	1	
14	977041	Staaft pomp rem	1	
15	GU92606206	Moer	1	
16	AP8113081	Vork	1	
17	AP8113082	Clips voor vork versnellingsbak	1	
18	GU06677000	Hendel achterrem	1	
19	AP8121221	Pin remhendel	1	
20	AP8120912	Rubbetje voor hendel	1	
21	GU98682316	Binnenzeskantbout M6x16	1	
22	AP8150462	Seegerring d9	1	
23	GU30434000	Veer int.	1	
24	AP8121223	Pin hendel achterrem	1	
25	AP8144007	OR-ring 11,11x1,78	2	
26	GU95008310	Sluitring 10,5x22x2,5	1	
27	AP8112996	Stopschakelaar	1	
28	GU28576592	Kramv. moer M6	1	

Groep	FRAME
Code	33.36
Beschrijving	Rear master cylinder
Revisie	1



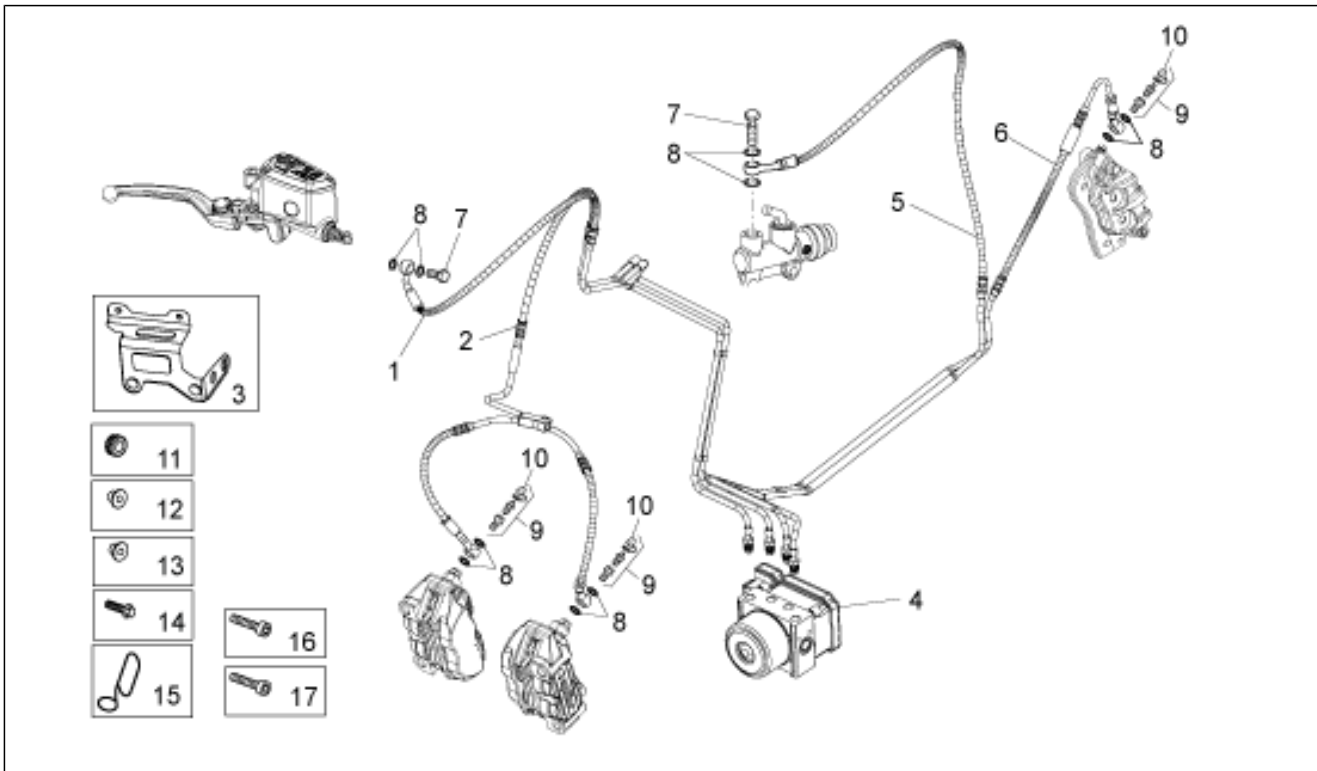
Pos.	Code	Beschrijving	Aant.	Varianten
29	GU95021206	Sluitring	1	

Groep	FRAME
Code	33.37
Beschrijving	Rear brake caliper
Revisie	1



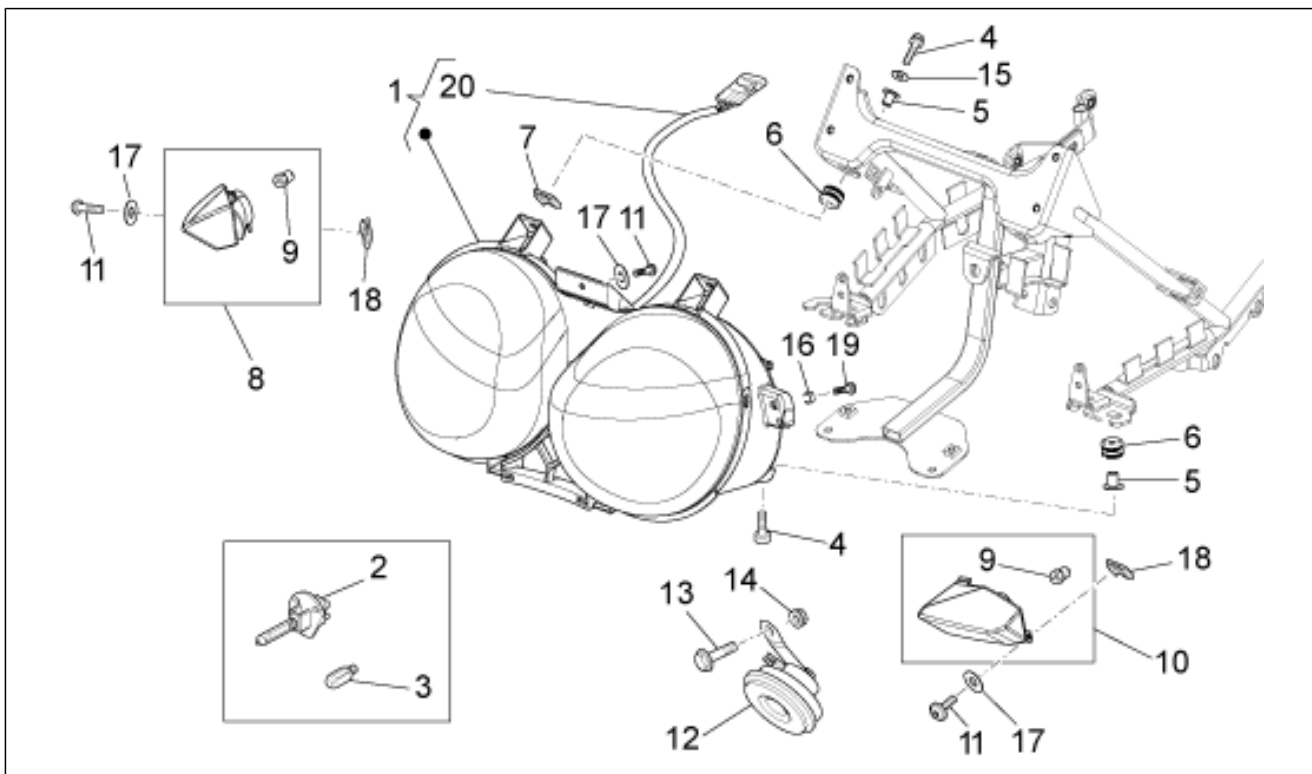
Pos.	Code	Beschrijving	Aant.	Varianten
1	978414	Tang achterrem zwart	1	
2	AP8152320	Zeskantbout geflenst	2	
3	GU05654630	Pastilles - koppel	1	
4	GU05659130	Pin+splitpen tang	1	
5	GU05659030	Veer	1	
6	AP8113004	Sluitring 10x14x1,6*	4	
7	AP8133597	Bout	1	
8	AP8133595	Ontluchting	1	
9	AP8113070	Kapje ontluchting	1	
10	883007	Buis achterrem	1	Technical specification: Version without ABS[No ABS]
11	AP8133962	Bout olieleiding *	1	Technical specification: Version without ABS[No ABS]
12	AP8202238	Verankering kabelgeleider	4	
13	AP8201808	Kabelgeleider D8	5	

Groep	FRAME
Code	33.39
Beschrijving	ABS Brake system 2010
Revisie	1



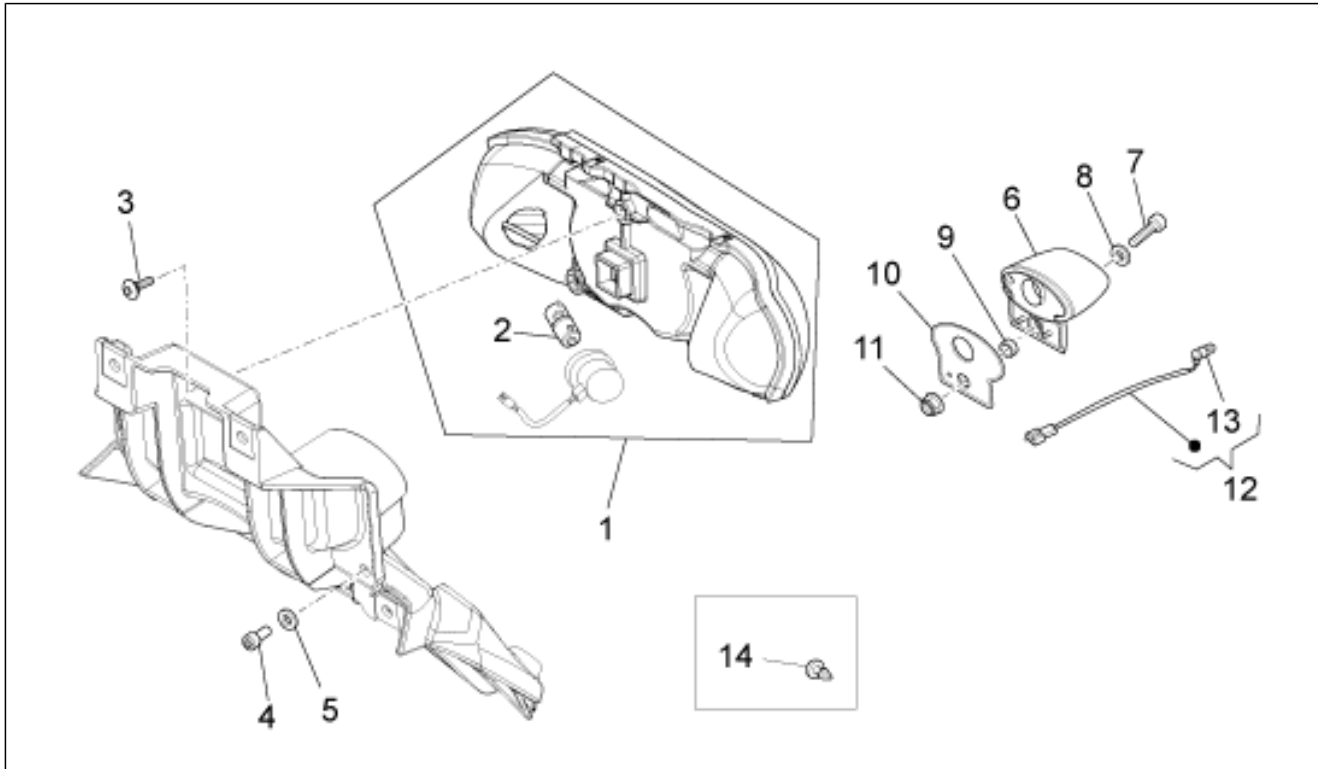
Pos.	Code	Beschrijving	Aant.	Varianten
1	886162	LEIDING ZIJDE POMP VOOR/CENT	1	Technical specification:ABS version[ABS]
2	886164	LEIDING ZIJDE TANGEN VOOR/CENT	1	Technical specification:ABS version[ABS]
3	886149	Steun	1	Technical specification:ABS version[ABS]
4	895351	Centrale ABS	1	Technical specification:ABS version[ABS]
5	886163	LEIDING ZIJDE POMP ACHT/CENT	1	Technical specification:ABS version[ABS]
6	886165	LEIDING ZIJDE TANG ACHT/CENT	1	Technical specification:ABS version[ABS]
7	AP8113003	Bout olieleiding *	2	Technical specification:ABS version[ABS]
8	AP8113004	Sluitring 10x14x1,6*	10	Technical specification:ABS version[ABS]
9	AP8133945	Kit ontluchting	3	Technical specification:ABS version[ABS]
10	AP8113070	Kapje ontluchting	3	Technical specification:ABS version[ABS]
11	AP8120030	Rubbertje *	3	Technical specification:ABS version[ABS]
12	AP8221023	'T'-vormige huls *	3	Technical specification:ABS version[ABS]
13	AP8121032	Huls	1	Technical specification:ABS version[ABS]
14	AP8152277	Zeskantbout geflenst	2	Technical specification:ABS version[ABS]
15	AP8201417	Kabelgeleider	1	Technical specification:ABS version[ABS]
16	GU98230625	Bolbout met binnenzeskant M6x25	1	
17	GU98350320	Bolbout met binnenzeskant M6x20	2	

Groep	FRAME
Code	33.40
Beschrijving	Headlight/Horn
Revisie	1



Pos.	Code	Beschrijving	Aant.	Varianten
1	887029	Voorlicht cpl.	1	
2	292723	Lamp H4 60/55W 12V	2	
3	292022	Lamp 12V-5W	2	
4	GU98680225	Binnenzeskantbout M5x25	2	
5	AP8221023	'T'-vormige huls *	4	
6	AP8120030	Rubbetje *	4	
7	248419	Spring plate m5	4	
8	978428	Richtingsaanw.voor.re	1	
9	584332	Lamp 12V-10W	2	
10	978427	Richtingaanw. voor. li	1	
11	GU98682116	Bout	3	
12	886325	Claxon	1	
13	AP8152279	Zeskantbout geflenst M6x20	1	
14	AP8152299	Zelfborg.bout gefl.	1	
15	GU95129100	Elastische sluitring 5,3X10X0,5	2	
16	GU91120507	Huls	2	
17	GU95008205	Sluitring 5,3x10x0,8	3	
18	AP8102381	Clip M4	2	
19	GU98680125	Bout M4x25	2	
20	899522	Bekabeling voorlicht	1	

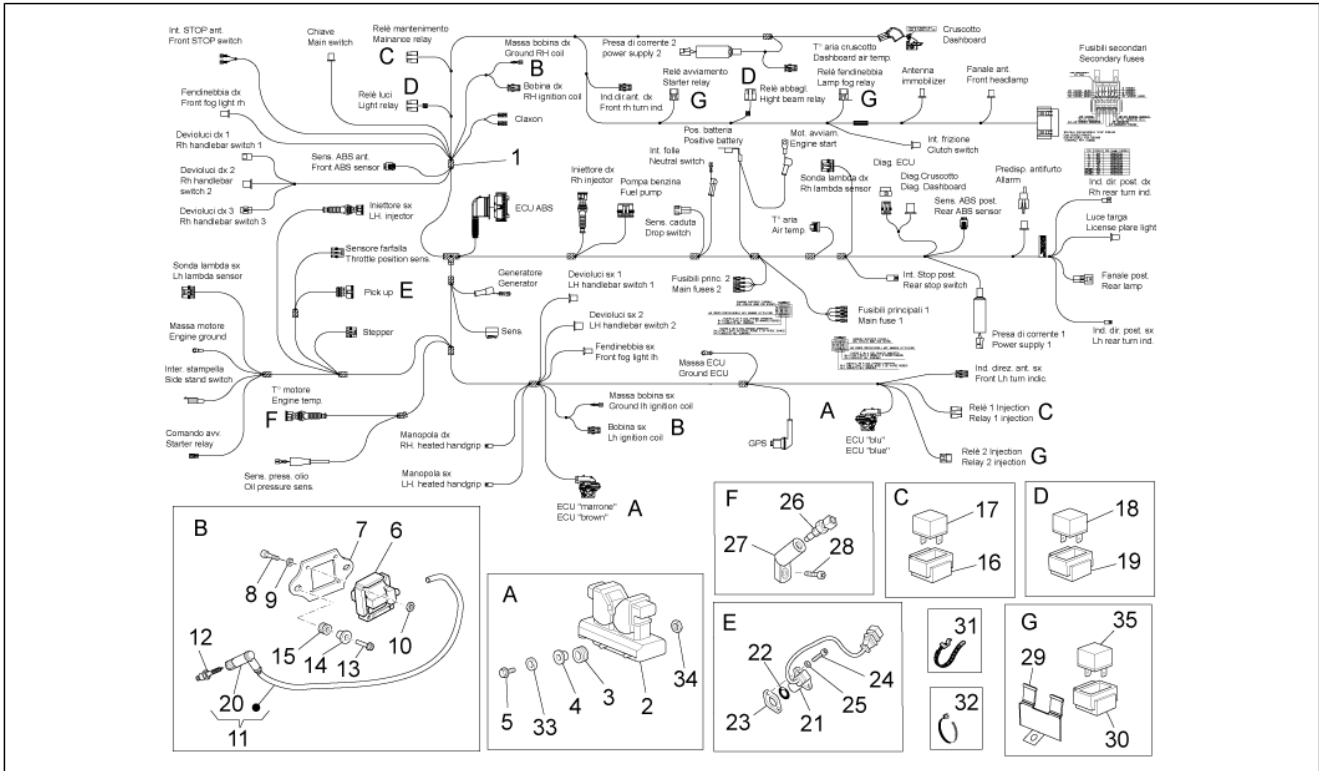
Groep	FRAME
Code	33.41
Beschrijving	Taillight
Revisie	1



Pos.	Code	Beschrijving	Aant.	Varianten
1	897886	Achterlicht	1	
2	584332	Lamp 12V-10W	2	
3	AP8152302	Bolbout met binnenzeskant, geflenst M5x12	1	
4	GU98692210	Binnenzeskantbout	2	
5	GU95100059	Sluitring 5,25x14x1,5	2	
6	AP8127098	Licht nummerplaat	1	
7	GU98680225	Binnenzeskantbout M5x25	1	
8	GU95008205	Sluitring 5,3x10x0,8	1	
9	GU91120507	Huls	1	
10	GU32474710	Rubber	1	
11	AP8152306	Zelfborg.bout gefl.	1	
12	977795	Bekabeling nummerplaatlicht	1	
13	292022	Lamp 12V-5W	1	
14	GU93180072	Rubbertje	2	



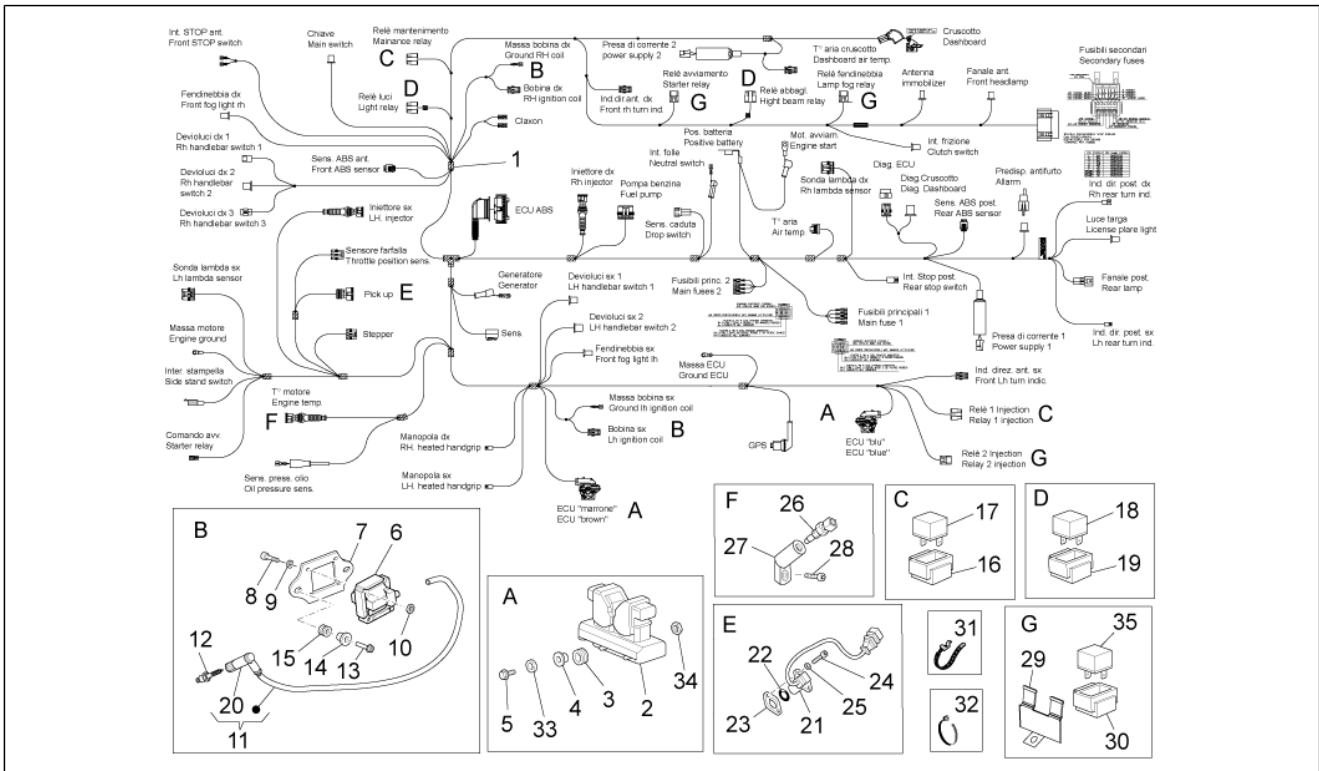
Groep	FRAME
Code	33.42
Beschrijving	Electrical system I
Revisie	1



Pos.	Code	Beschrijving	Aant.	Varianten
1	886923	Hoofdzakelijke bekabeling	1	Technical specification: Version without ABS[No ABS]
1	899505	Hoofdzakelijke bekabeling	1	Technical specification: ABS version[ABS]
2	897634	Elektronische centrale	1	Technical specification: ABS version[ABS]
2	CM2270055	Elektronische centrale	1	Technical specification: Version without ABS[No ABS]
3	978152	Rubbetje	2	
4	AP8121795	'T'-vormige huls *	2	
5	GU98690245	Binnenzeskantbout	2	
6	GU30716500	H.S. bobine	2	
7	GU05716730	Steun bobine	2	
8	GU98682125	Binnenzeskantbout	8	
9	GU95008204	Sluiring 4,3x8x0,5	8	
10	GU92630104	Moer M4x0,7	8	
11	642233	H.S. kabel	2	
12	639687	Bougie CR8EKB	2	
13	AP8152279	Zeskantbout geflenst M6x20	6	
14	AP8120030	Rubbetje *	6	
15	AP8221023	'T'-vormige huls *	6	
16	AP8220546	Rubbetje steun relais	2	
17	895481	Relais injectie	2	
18	GU29732550	Relais schakelaar 5 pin	2	
19	896715	Rubbetje steun relais	2	
20	642221	Bougiekapje	2	
21	GU01721600	Fasesensor	1	
22	847180	OR-ring	1	
23	GU01722700	Pakking 0,3mm	1	
23	GU01722701	Pakking 0,4 mm	1	
23	GU01722702	Pakking 0,6mm	1	
23	GU01722703	Pakking	1	



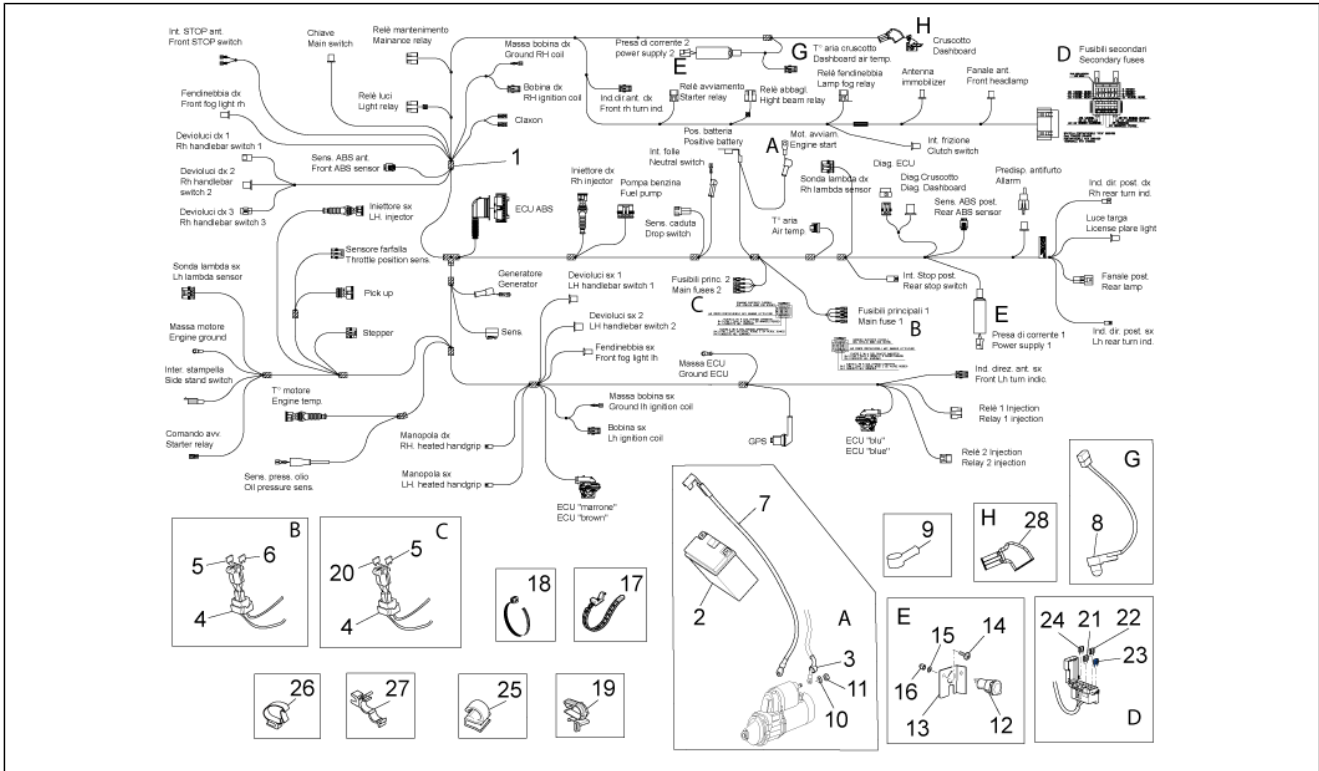
Groep	FRAME
Code	33.42
Beschrijving	Electrical system I
Revisie	1



Pos.	Code	Beschrijving	Aant.	Varianten
23	GU01722704	Pakking 1mm	1	
23	GU01722705	Pakking 1,5mm	1	
23	GU29722760	Pakking 0,5 mm	1	
24	GU98682212	Binnenzeskantbout M5x12	2	
25	GU95008205	Sluitring 5,3x10x0,8	2	
26	GU29729461	Temperatuursensor olie	1	
27	976556	Steun sensor	1	
28	GU98683520	Binnenzeskantbout M10x20	1	
29	883148	Plaat	1	
30	AP8220283	Rubbetje *	3	
31	GU06609600	Klemmetje	9	
32	GU14609650	Klemmetje 3,6x20,6	23	
32	GU49609601	Klemmetje 2,4x92	5	
32	GU93304360	Klemmetje 7,6x380	2	
32	GU93304390	Klemmetje 3,6x375	2	
33	GU95100059	Sluitring 5,25x14x1,5	2	
34	AP8152306	Zelfborg.bout gefl.	2	
35	AP8224462	Relais 12V/30A	3	



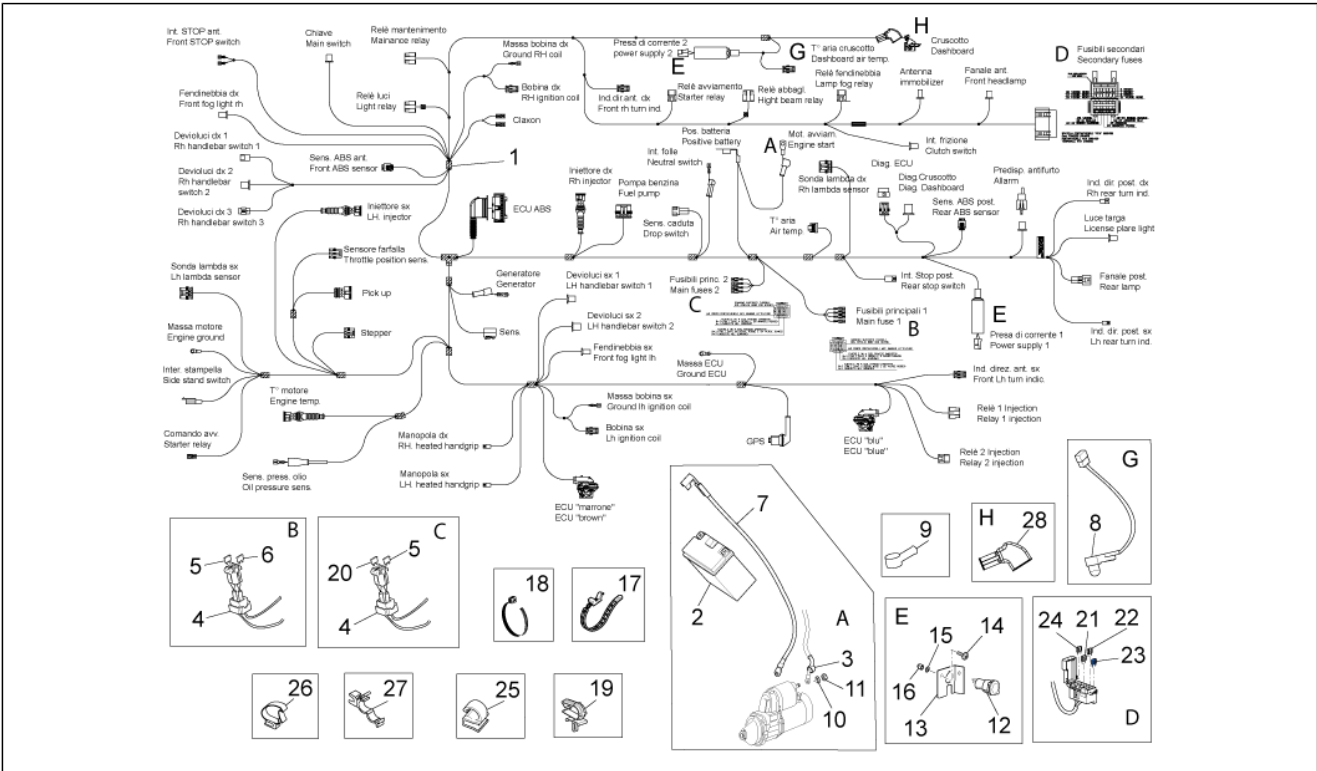
Groep	FRAME
Code	33.43
Beschrijving	Electrical system II
Revisie	1



Pos.	Code	Beschrijving	Aant.	Varianten
1	886923	Hoofdzakelijke bekabeling	1	Technical specification:Version without ABS[No ABS]
1	899505	Hoofdzakelijke bekabeling	1	Technical specification:ABS version[ABS]
2	GU05704531	Accu 12V-20Ah	1	
3	977916	Isolerend kapje	1	
4	AP8112811	Rubbertje zekeringhouder	2	
5	CM225730	Zekering 30A	2	
6	CM225740	Zekering 40A	2	
7	GU06747900	Bekabeling massa-accu	1	
8	AP8124936	Sensor luchttemperatuur	1	
9	581061	Kapje	1	
10	GU95129131	Sluitring gegolfd 8,4x15x1,7	1	
11	GU92609408	Moer M8x1,25	1	
12	AP8124768	Stopcontact cpl.	2	
13	886911	Steunplaat	1	
14	GU98350210	Bolbout met binnenzeskant	2	
15	GU95008205	Sluitring 5,3x10x0,8	2	
16	GU92787205	Moer blind	2	
17	GU06609600	Klemmetje	9	
18	640879	Klemmetje 2,7x132	2	
18	GU14609650	Klemmetje 3,6x20,6	23	
18	GU49609601	Klemmetje 2,4x92	5	
18	GU93304390	Klemmetje 3,6x375	2	
19	AP8221310	Kabelgeleider	4	
20	CM225720	Zekering 20A	2	
21	CM225610	Zekering 10A	4	
22	CM225615	Zekering 15A	3	
23	CM225603	Zekering 3A	2	
24	CM225605	Zekering 5A	2	

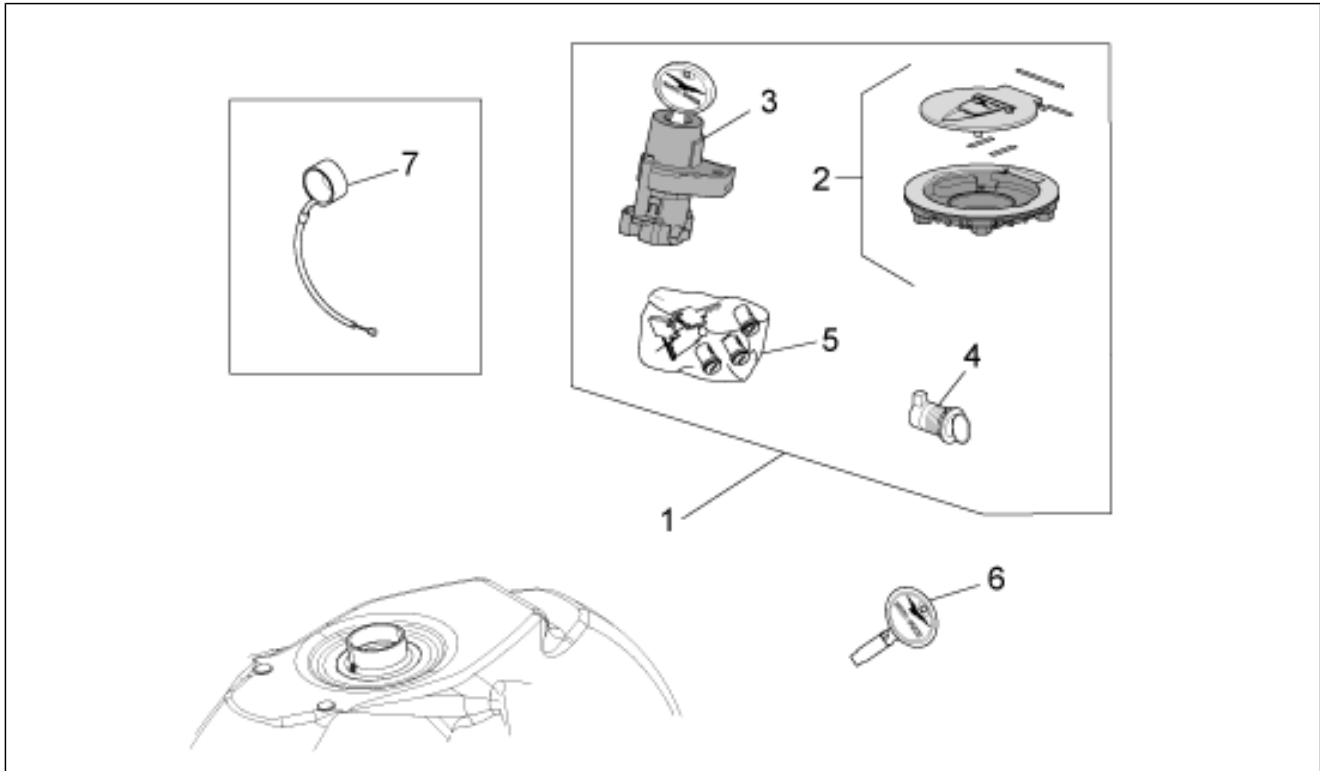


Groep	FRAME
Code	33.43
Beschrijving	Electrical system II
Revisie	1



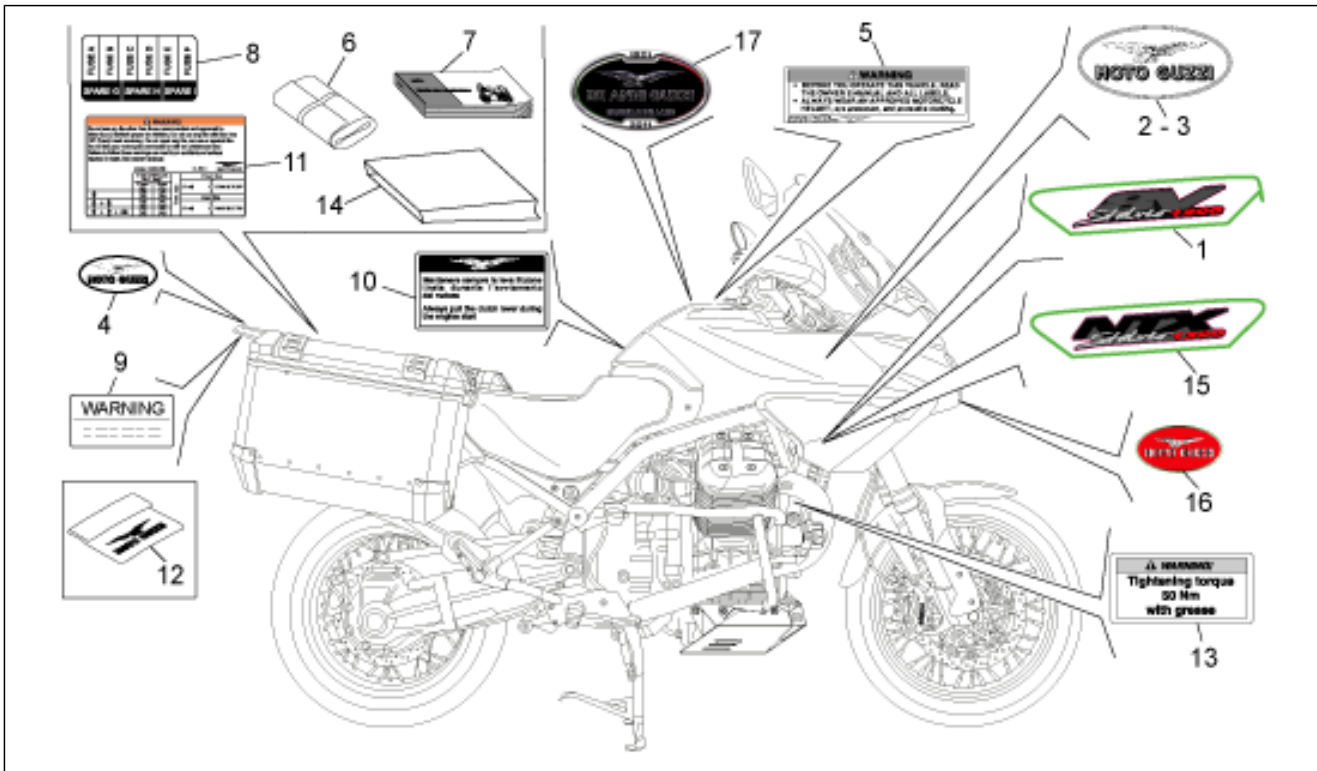
Pos.	Code	Beschrijving	Aant.	Varianten
25	AP8201727	Kabelgeleider zwart	1	
26	CM013202	Molletta ritegno tubi/cavi	1	
27	AP9100765	Veertje	1	
28	856152	Isolerend kapje	1	

Groep	FRAME
Code	33.44
Beschrijving	Lock hardware kit
Revisie	1



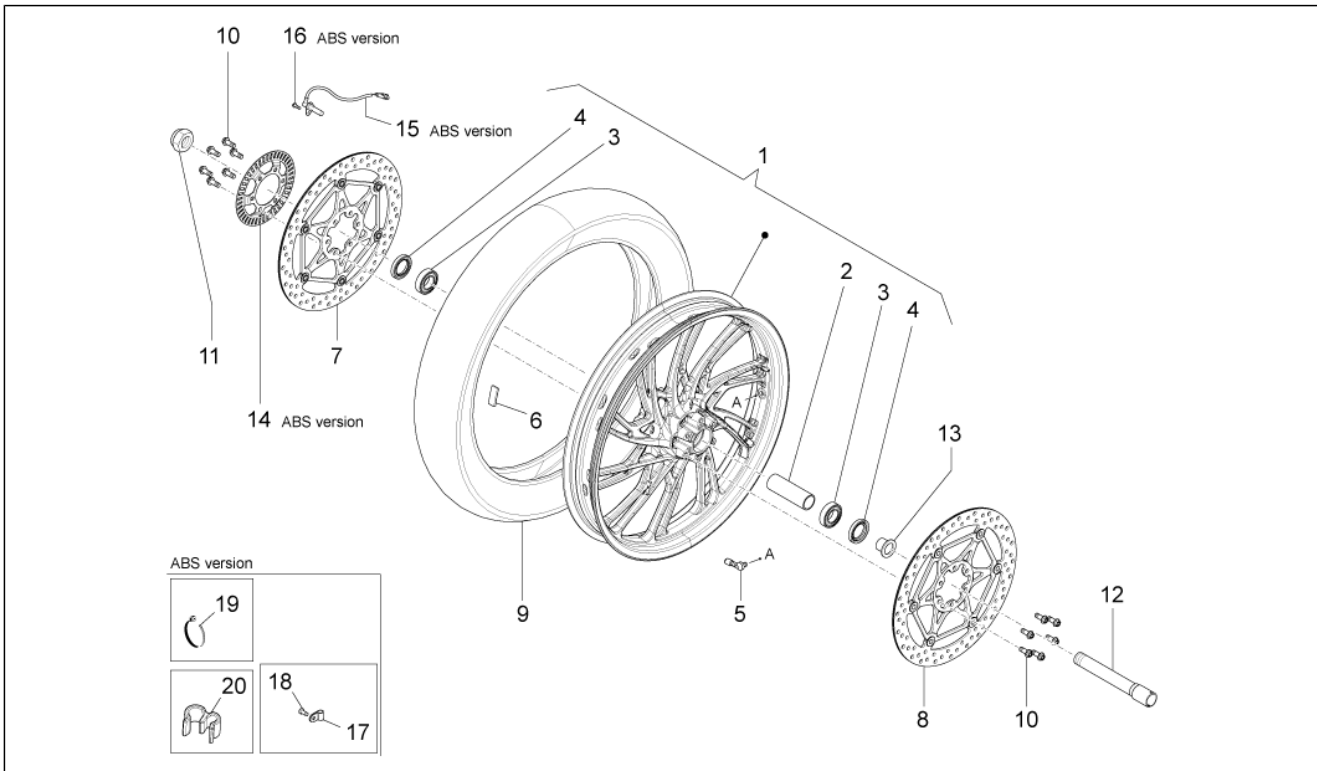
Pos.	Code	Beschrijving	Aant.	Varianten
1	977666	Kit sloten	1	
2	GU05103930	Tankdop	1	
3	GU05782530	Starblokje-blokk.	1	
4	GU05466830	Zadelslot	1	
5	978220	Kit rotoren+standaard sleutels	1	
6	977918	Sleutel glad onafgew.	1	
7	981087	Antenne van de immobilizer	1	

Groep	FRAME
Code	33.45
Beschrijving	Plate set-decal-op.handbooks
Revisie	1



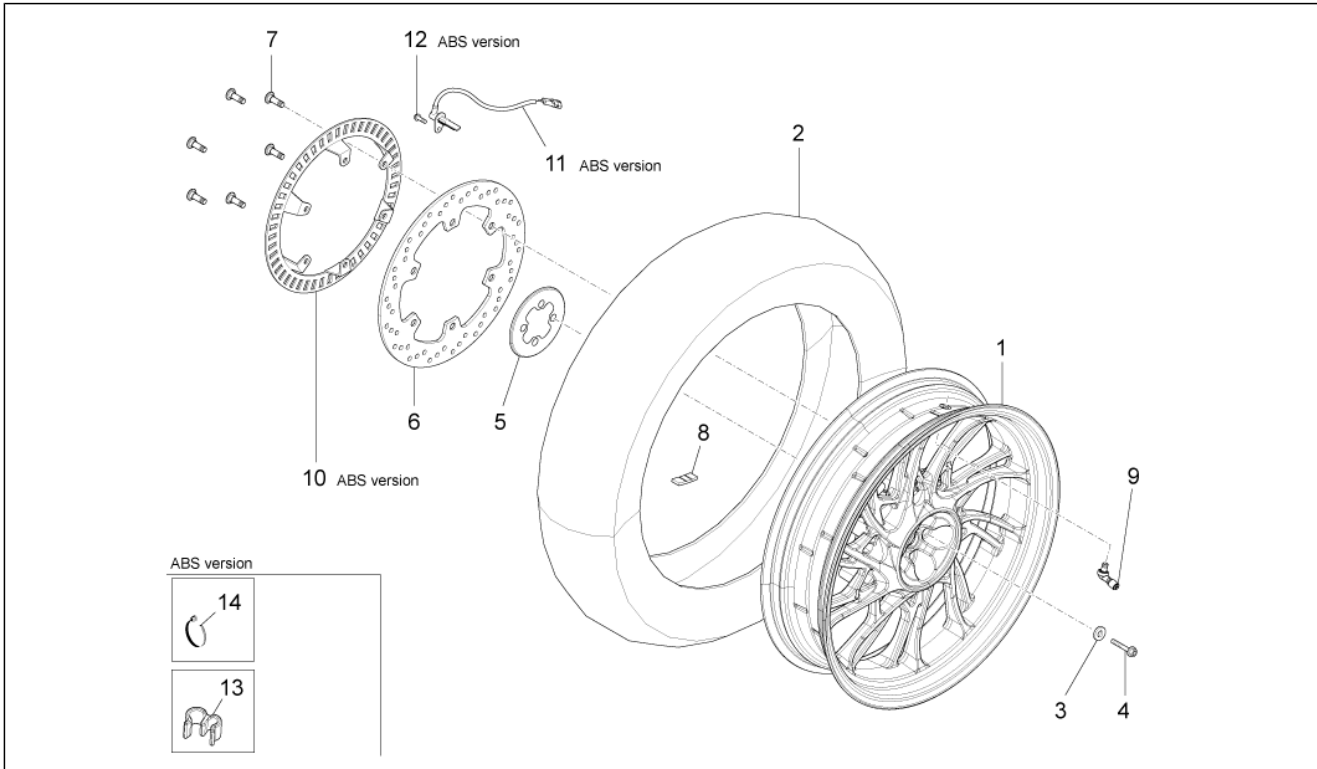
Pos.	Code	Beschrijving	Aant.	Varianten
1	886907	Plaat "Stelvio 1200 8V"	2	Technical specification:Versione Standard[Std]
2	GU06917400	Plaatje li rood/goud AL	1	
3	GU06917300	Plaatje re rood/goud AL	1	
4	977303	Plaatje "Moto Guzzi"	1	
5	GU30944300	Plaat "Attention"	1	
6	978882	Gereedschapstas	1	
7	897241	Boekje gebruik/ond. I-F-D-E-NL-UK	1	
8	978647	Decalco zekeringen	1	
9	AP8157631	Plaatje	1	
10	GU05944930	Plaat Engine Start	1	
11	883776	Decalco bandenspanning	1	
12	GU30970200	Doek voert.bedekk.	1	
13	GU05944530	Plaat Warning	1	
14	GU05900130	Zakje voor documenten	1	
15	886906	Plaat "Stelvio 1200 NTX"	2	Technical specification:NTX version[NTX]
16	886905	Plaatje "Moto Guzzi"	1	
17	886944	Plaat "90 Anni Guzzi"	1	

Groep	FRAME
Code	33.46
Beschrijving	Front wheel II
Revisie	1



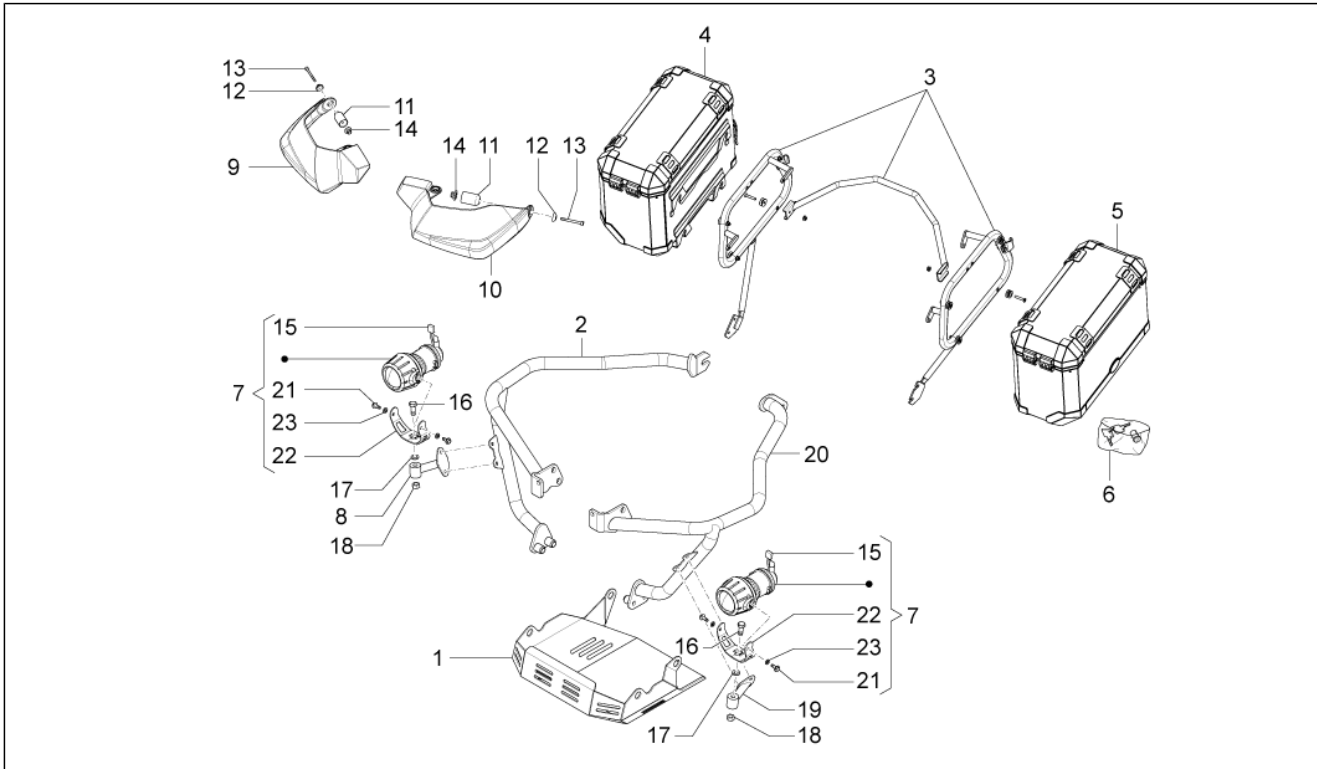
Pos.	Code	Beschrijving	Aant.	Varianten
1	897629	Wheel	1	
2	978516	Afstandhouder lagere	1	
3	AP8125777	Kogellager 25x47x12	2	
4	AP8125773	Dichtingsring 30x47x7	2	
5	GU03617710	Klep tubeless	1	
6	GU14616150	Tegengewicht	1	
7	896011	Remschijf voor	1	
8	896012	Remschijf voor	1	
9	886311	Voorband 110/80 R19	1	
10	AP8152286	Zeskantbout geflenst M8x20	12	
11	GU01612190	Moer	1	
12	978030	Pin voorwiel	1	
13	GU06616300	Afstandhouder	1	
14	AP8128189	Geluidswiel	1	Technical specification:ABS version[ABS]
15	859792	Sensor ABS	1	Technical specification:ABS version[ABS]
16	AP8152273	Geflenste bout	1	Technical specification:ABS version[ABS]
17	859777	Kabelgang	1	Technical specification:ABS version[ABS]
18	AP8201749	Bolbout M4x6	1	Technical specification:ABS version[ABS]
19	GU49609601	Klemmetje 2,4x92	1	Technical specification:ABS version[ABS]
20	894704	Kabelgang	3	Technical specification:ABS version[ABS]

Groep	FRAME
Code	33.47
Beschrijving	Rear wheel II
Revisie	1



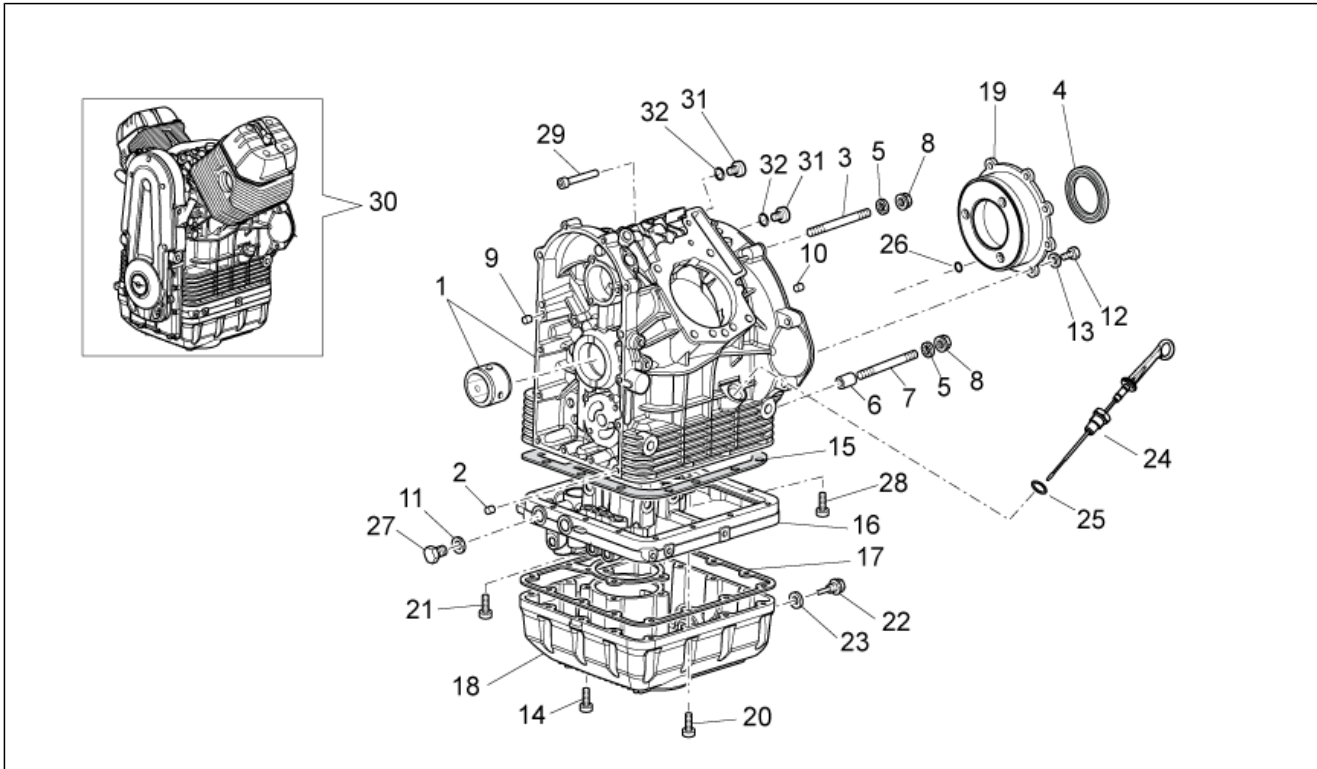
Pos.	Code	Beschrijving	Aant.	Varianten
1	897631	Wheel rim	1	
2	886312	Pneumatico posteriore 150/70 R17	1	
3	GU05632730	Conische huls	4	
4	GU97202665	Zeskantbout geflenst M12x65	4	
5	977056	Stofkeerring	1	
6	GU05635730	Remschijf acht.	1	
7	AP8152272	Zeskantbout geflenst	6	Technical specification: ABS version[ABS]
7	GU30611460	Bout	6	Technical specification: Version without ABS[No ABS]
8	GU14616150	Tegengewicht	1	
9	GU03617710	Klep tubeless	1	
10	GU05681530	Geluidswiel	1	Technical specification: ABS version[ABS]
11	GU05683730	Sensor	1	Technical specification: ABS version[ABS]
12	598839	Zeskantbout geflenst	1	Technical specification: ABS version[ABS]
13	894704	Kabelgang	4	Technical specification: ABS version[ABS]
14	GU49609601	Klemmetje 2,4x92	1	Technical specification: ABS version[ABS]

Groep	FRAME
Code	33.66
Beschrijving	Special parts
Revisie	1



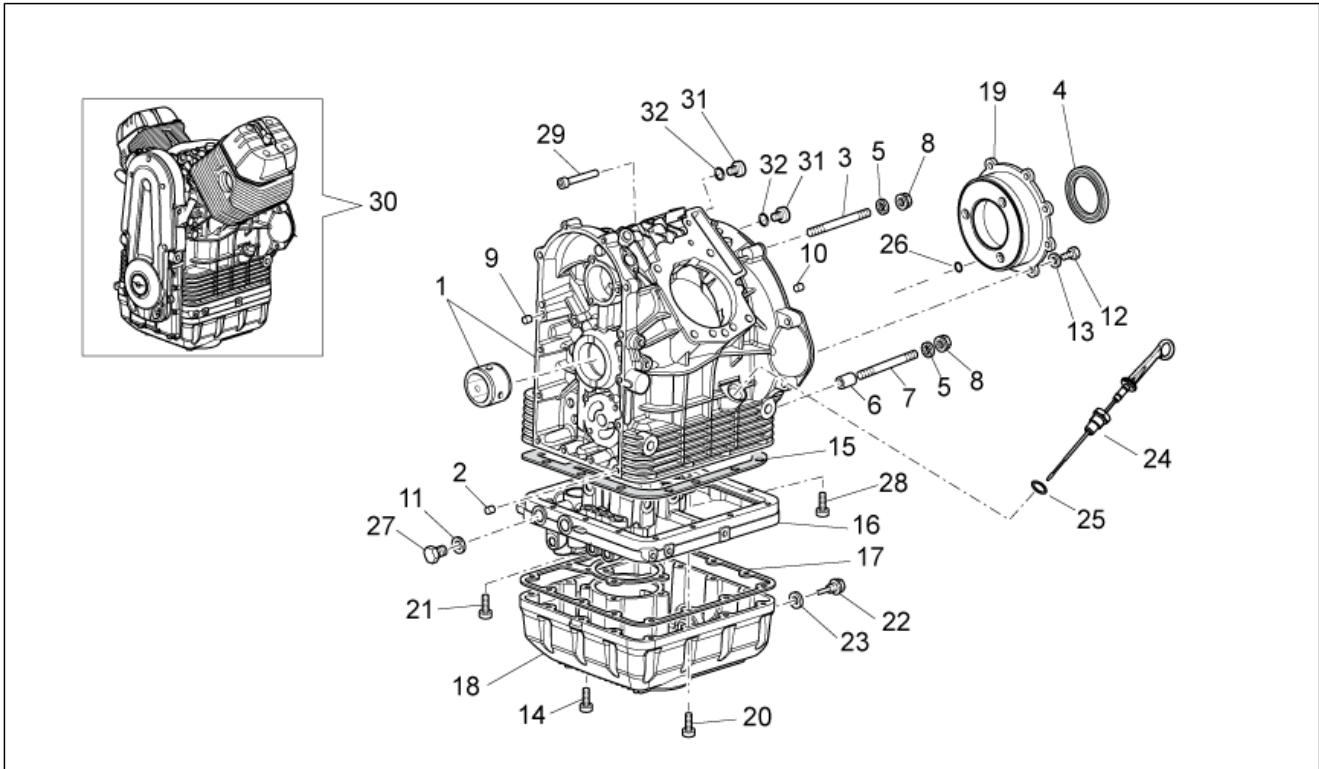
Pos.	Code	Beschrijving	Aant.	Varianten
1	883969	Carter	1	Technical specification:
2	886740	Paracilindri DX	1	Technical specification:
3	981073	Kit koppelingen koffers.	1	Technical specification:
4	886929	Koffer re	1	Technical specification:
5	886930	Koffer li	1	Technical specification:
6	981074	Kit sloten koffers	1	Technical specification:
7	883657	Mistlamp	2	Technical specification:
8	886738	Supporto faretto DX	1	Technical specification:
9	883254	Handbesch. re	1	Technical specification:
10	883253	Handbesch. li	1	Technical specification:
11	AP8104627	Antitrikgewicht v.zwart	2	Technical specification:
12	AP8121819	Sluitring 6,5x12,5*	2	Technical specification:
13	AP8150342	Binnenzeskantbout M6x70	2	Technical specification:
14	883134	Terminal	2	Technical specification:
15	883655	Bekabeling voorlicht	1	Technical specification:NTX version[NTX]
16	GU98692420	Bout	1	Technical specification:NTX version[NTX]
17	GU95005308	Sluitring 8,4x14,57x1,6	1	Technical specification:NTX version[NTX]
18	GU92630708	Moer	1	Technical specification:NTX version[NTX]
19	886739	Supporto faretto SX	1	Technical specification:NTX version[NTX]
20	886741	Paracilindri SX	1	Technical specification:NTX version[NTX]
21	319165	Bout	4	Technical specification:
22	883991	Staffa fissaggio fendinebbia	2	Technical specification:
23	GU950053130	[...]	4	Technical specification:

Groep	ENGINE
Code	34.46
Beschrijving	Crank-case I
Revisie	1



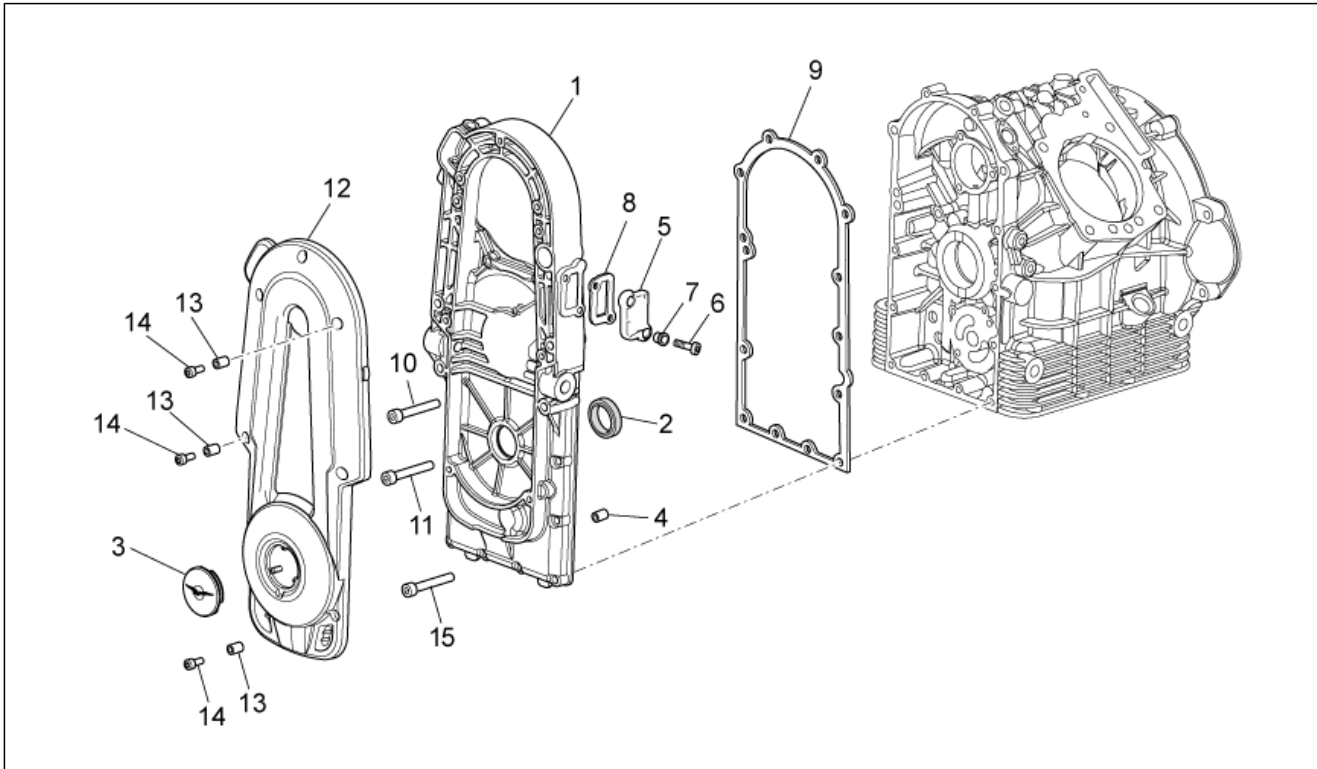
Pos.	Code	Beschrijving	Aant.	Varianten
1	880398	Carter	1	
2	411209	Plug	2	
3	GU96508066	Stiftbout M8X66	3	
4	GU90405367	Dichtingsring	1	
5	GU14615901	Sluistring 8,4X13X0,8	5	
6	GU12018900	Geleiderhuls	2	
7	GU96508075	Stiftbout M8x75	2	
8	GU92660021	Moer geflenst M8	5	
9	GU95512081	Plug	2	
10	560110	Plug	1	
11	GU01154230	Pakking in aluminium	2	
12	GU98084425	Zeskantbout M8x25	8	
13	GU61270300	Elastische sluitring 8x15x0,3	8	
14	GU98620335	Bout M6x35	4	
15	GU01003651	Pakking flens	1	
16	879872	Flens	1	
17	GU05003630	Pakking	1	
18	879874	Pan oil	1	
19	976703	Flens cpl.	1	
20	AP4ADN000007	Binnenzeskantbout	14	
21	GU98680360	Binnenzeskantbout M6x60	2	
22	GU31003766	Afvoerdop olie M10x1	1	
23	GU01528930	Pakking 10x18x1,5	1	
24	883144	Staafliepeil cpl.	1	
25	GU90706178	OR-ring 17,86X2,62	1	
26	874980	OR-ring 7,5X2	1	
27	GU95980216	Dop	2	
28	GU98680340	Binnenzeskantbout	2	

Groep	ENGINE
Code	34.46
Beschrijving	Crank-case I
Revisie	1



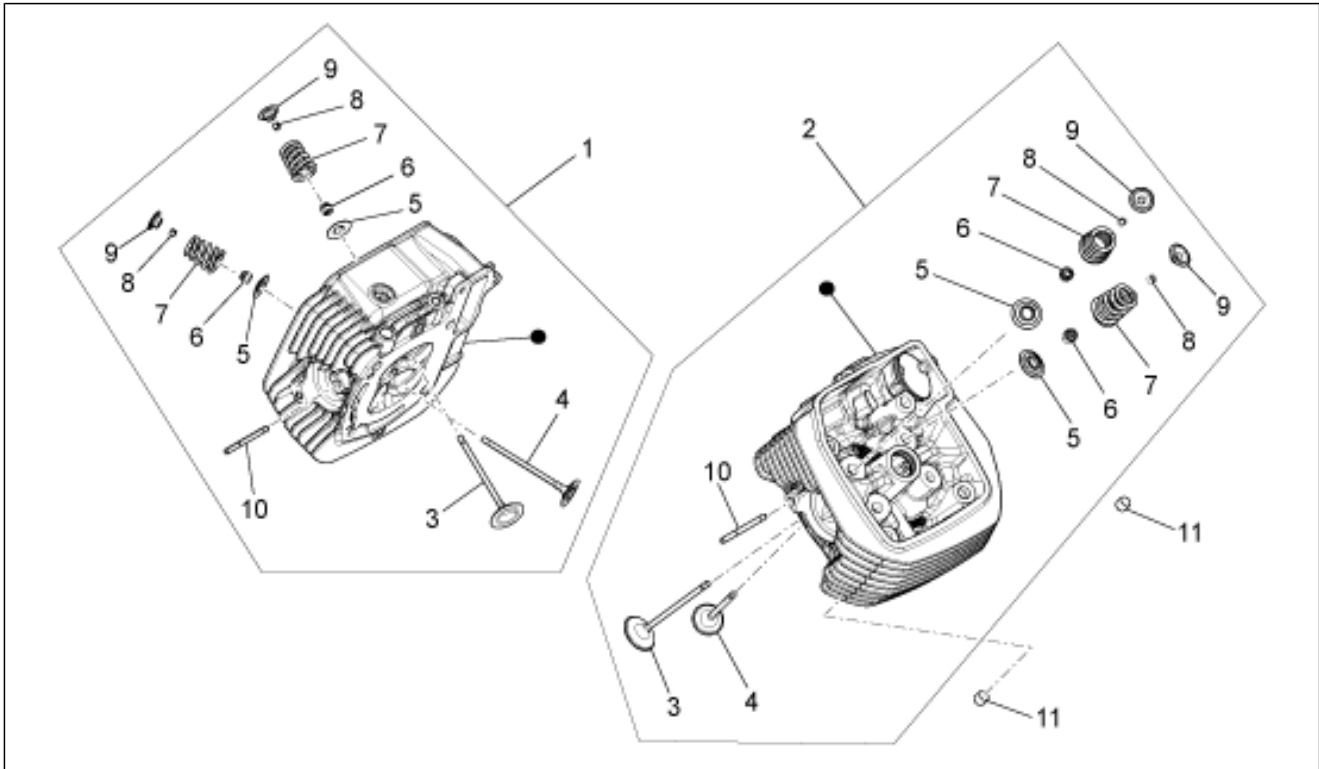
Pos.	Code	Beschrijving	Aant.	Varianten
29	AP8152291	Zeskantbout geflenst	1	
30	9769865	Motor cpl.	1	
31	GU12022600	Oliedop	2	
32	GU90706203	OR-ring 20,24X2,62	2	

Groep	ENGINE
Code	34.47
Beschrijving	Crank-case II
Revisie	1



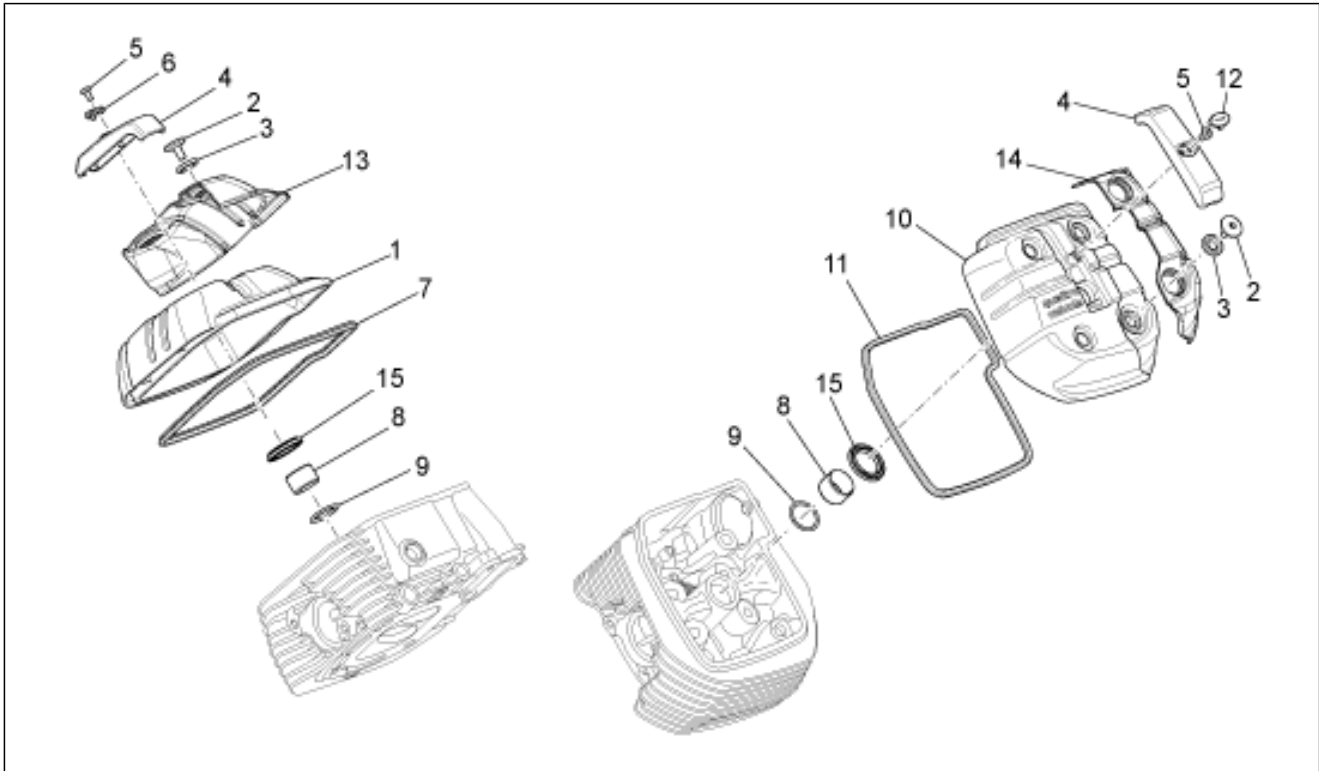
Pos.	Code	Beschrijving	Aant.	Varianten
1	879876	Bedekking distrib.	1	
2	GU90412237	Dichtingsring 22x35x7viton	1	
3	GU05002130	Dop	1	
4	825597	Plug 11,8X10	2	
5	976554	Dop	1	
6	GU98682320	Binnenzeskantbout M6x20	2	
7	GU91120607	Beslagring 6,4x8,4x10,5	2	
8	GU90706347	OR-ring 34,65x1,78viton	1	
9	976478	Pakking bedekking	1	
10	AP8150046	Binnenzeskantbout M8x55	4	
11	GU98682330	Binnenzeskantbout	9	
12	GU05001630	Bedekking generator grijs	1	
13	GU91120606	Beslagring 6,8x8,8x5,8	6	
14	GU98682316	Binnenzeskantbout M6x16	5	
15	GU98620335	Bout M6x35	1	

Groep	ENGINE
Code	34.48
Beschrijving	Cylinder head - valves
Revisie	1



Pos.	Code	Beschrijving	Aant.	Varianten
1	B013808	Kop cilinder re	1	
2	B013807	Kop cilinder li	1	
3	872695	Klep aanz.	4	
4	872696	Klep uitl.	4	
5	874127	Plaatje ond.	8	
6	436438	Dichtingsring klep	8	
7	B013517	Veer klep	8	
8	285846	Halfconus klep	8	
9	874126	Plaatje bov.	8	
10	827018	Stiftbout M8X3X46	4	
11	825597	Plug 11,8X10	8	

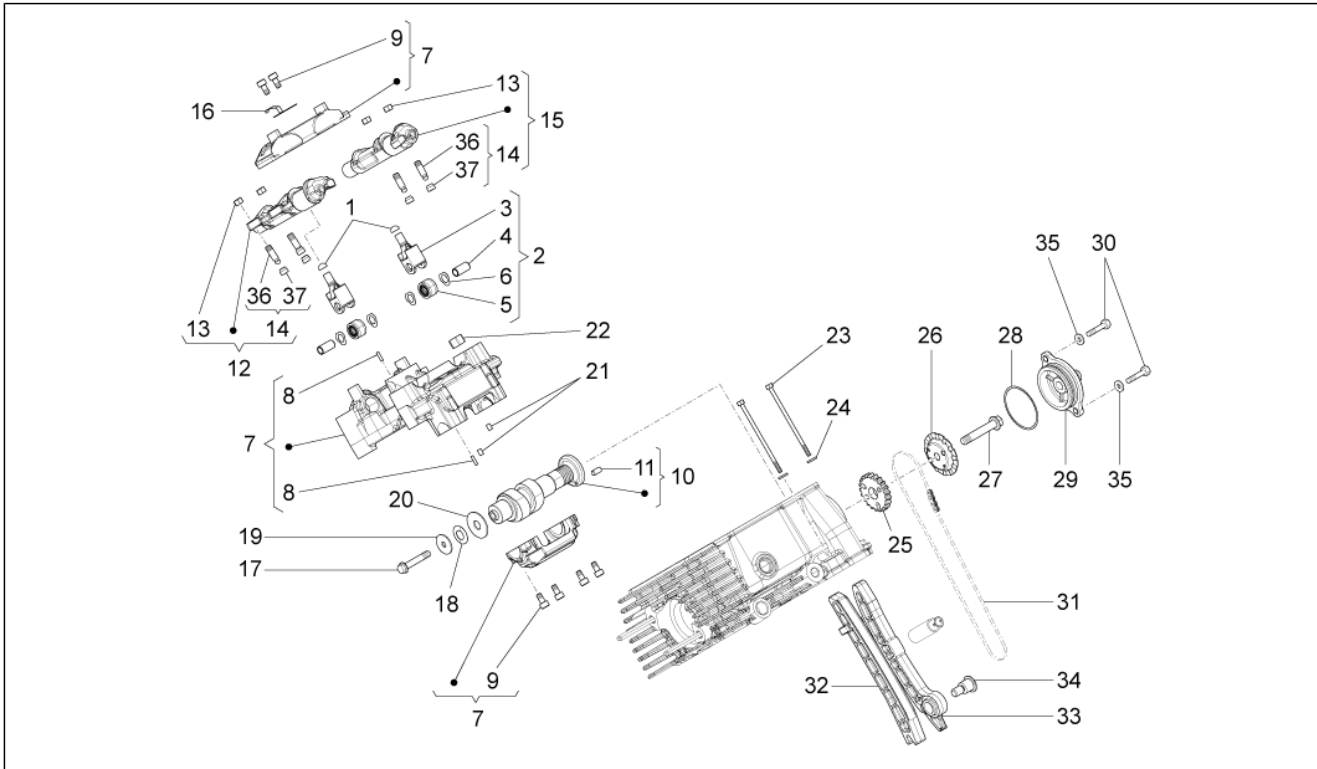
Groep	ENGINE
Code	34.49
Beschrijving	Head cover
Revisie	1



Pos.	Code	Beschrijving	Aant.	Varianten
1	880124	Bedekking kop re	1	
2	976591	Speciale bout	8	
3	879975	Buffer demper	8	
4	883493	Bedekking bougie	2	
5	GU98230510	Bolbout met binnenzeskant	2	
6	976560	Plaatje re "Moto Guzzi"	1	
7	872742	Pakking re	1	
8	879987	Buis bougie	2	
9	873626	OR-ring 26X2,5	2	
10	880123	Bedekking kop li	1	
11	872741	Pakking li	1	
12	976559	Plaatje li "Moto Guzzi"	1	
13	873654	Bedekking re	1	
14	872740	Bedekking li	1	
15	880127	Pakking	2	

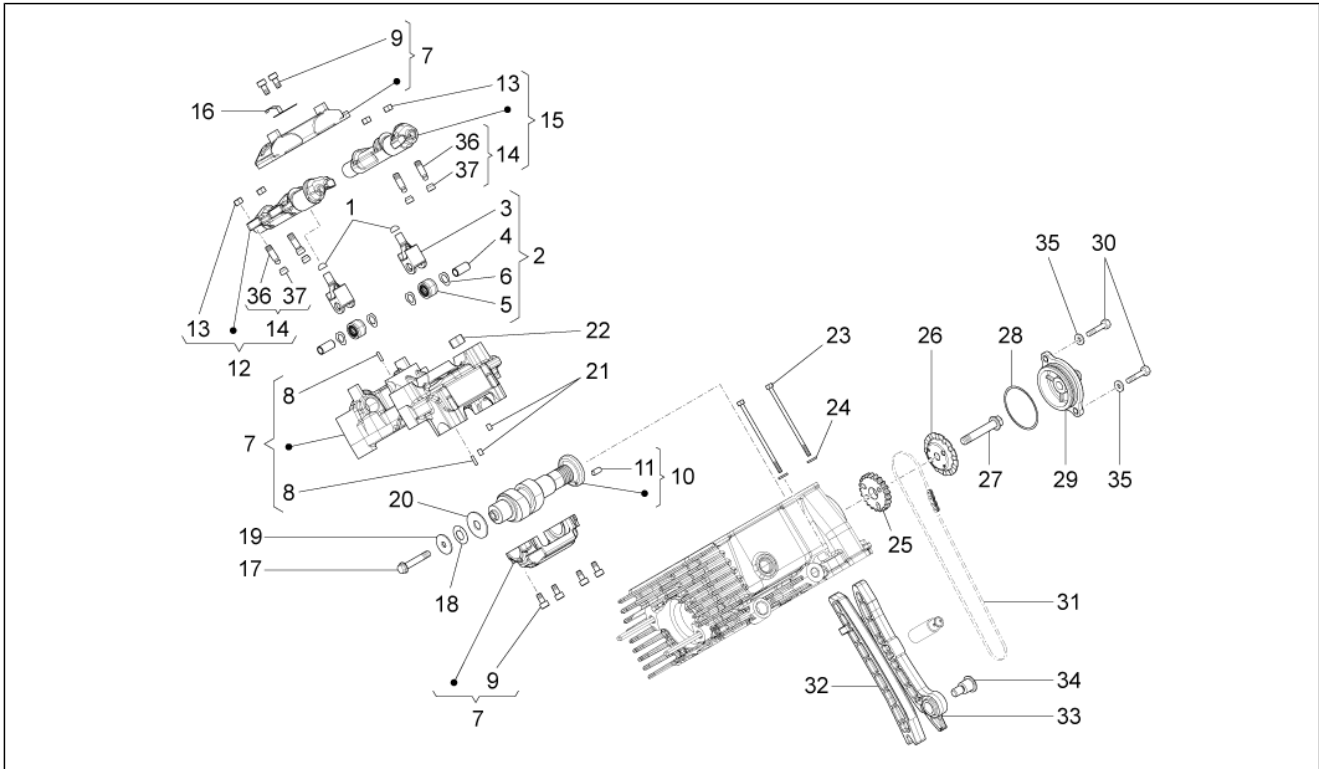


Groep	ENGINE
Code	34.50
Beschrijving	RH cylinder timing system
Revisie	1



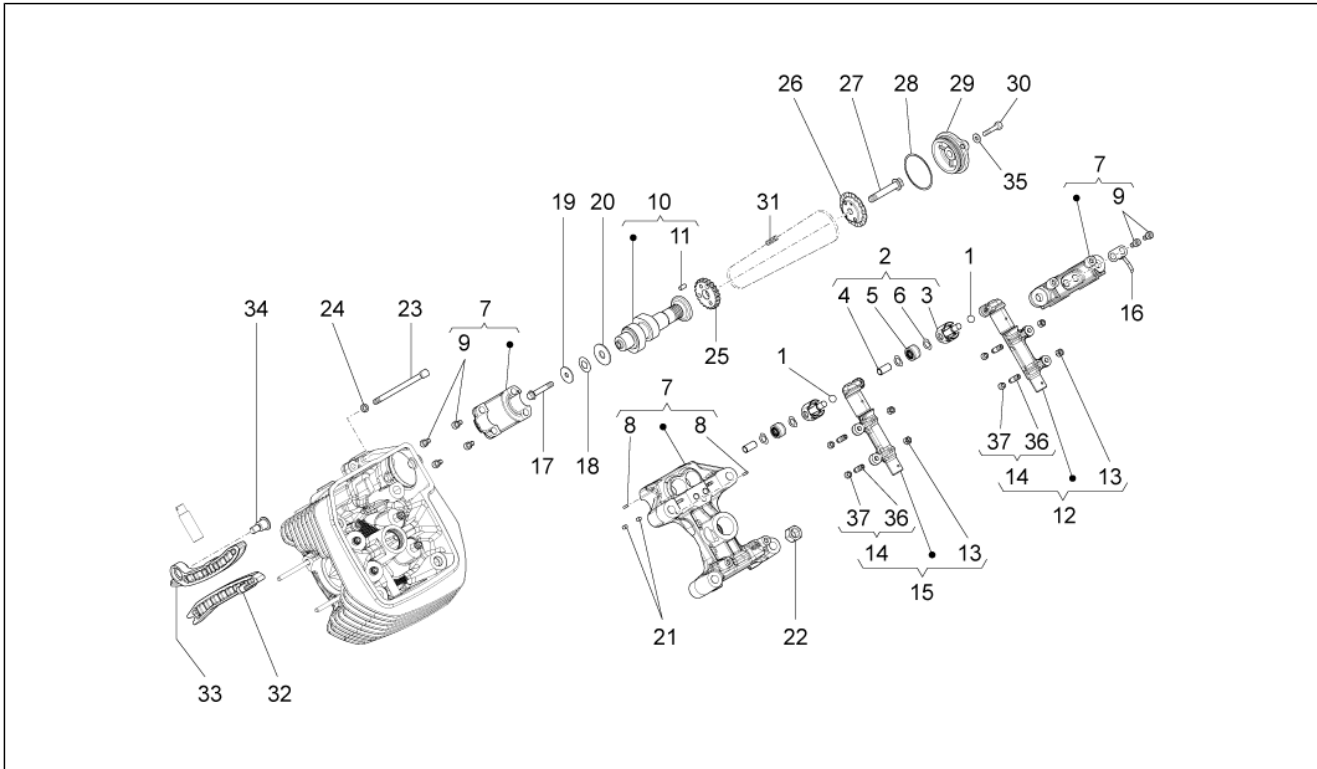
Pos.	Code	Beschrijving	Aant.	Varianten
1	878574	Pastille	2	
2	B014596	Kleplicht.	2	
3	B014597	Supporto rullo	2	
4	B014059	Pin	2	
5	B014058	Rollager	2	
6	B014205	Rondeel	4	
7	B013847	Houder re	1	
8	872759	Plug D. 2,5	4	
9	015792	Bout	6	
10	B014576	Cam axle	1	
11	976589	Plug	1	
12	B013603	Balanceringsen	1	
13	879916	Moer regeling balanceringsen	4	
14	879707	Regelbout	4	
15	B013605	Balanceringsen	1	
16	B013661	Staalplaatje	1	
17	414837	Zeskantbout geflenst	1	
18	879938	Bekerveer	1	
19	879936	Shim	1	
20	879937	Shim	1	
21	B013552	Roller	2	
22	833520	Moer M10X1,25 6H	8	
23	487444	Geflenste bout M6x120	2	
24	976674	Sluitring vlak 12x6,1x2	2	
25	976350	Raderw. distr.	1	
26	874601	Staalplaatje ontluchting	1	
27	843060	Zeskantbout geflenst	1	
28	880965	Dichtingsring 2,62x46,52	1	

Groep	ENGINE
Code	34.50
Beschrijving	RH cylinder timing system
Revisie	1



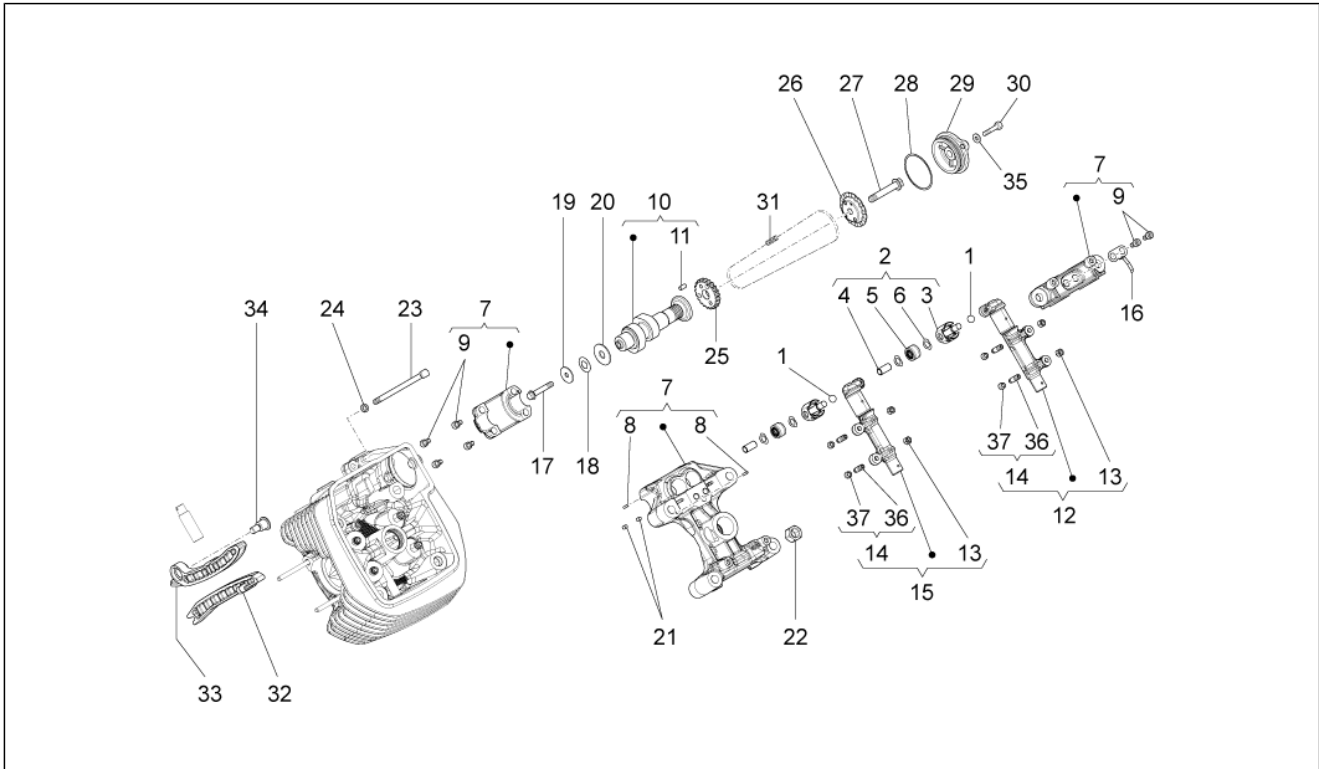
Pos.	Code	Beschrijving	Aant.	Varianten
29	B013479	Bedekking ontluchting cpl.	1	
30	GU98622214	Bout	2	
31	976341	Distributieketting	1	
32	976338	Glijvlak van de ketting	1	
33	976337	Glijvlak kettingspanner	1	
34	878868	Bout afstandhouder M8	1	
35	GU95129100	Elastische sluitring 5,3X10X0,5	2	
36	879708	Bout register kleppen	4	
37	879709	Pastille	4	

Groep	ENGINE
Code	34.51
Beschrijving	LH cylinder timing system
Revisie	1



Pos.	Code	Beschrijving	Aant.	Varianten
1	878574	Pastille	2	
2	B014596	Kleplicht.	2	
3	B014597	Supporto rullo	2	
4	B014059	Pin	2	
5	B014058	Rollager	2	
6	B014205	Rondeel	4	
7	B013845	Supporto asse bilancieri	1	
8	872759	Plug D. 2,5	4	
9	015792	Bout	6	
10	B014576	Cam axle	1	
11	976589	Plug	1	
12	B013603	Balanceringsen	1	
13	879916	Moer regeling balanceringsen	4	
14	879707	Regelbout	4	
15	B013605	Balanceringsen	1	
16	B013661	Staalplaatje	1	
17	414837	Zeskantbout geflenst	1	
18	879938	Bekerveer	1	
19	879936	Shim	1	
20	879937	Shim	1	
21	B013552	Roller	2	
22	833520	Moer M10X1,25 6H	8	
23	487444	Geflenste bout M6x120	2	
24	976674	Sluitring vlak 12x6,1x2	2	
25	976350	Raderw. distr.	1	
26	874601	Staalplaatje ontluchting	1	
27	843060	Zeskantbout geflenst	1	
28	880965	Dichtingsring 2,62x46,52	1	

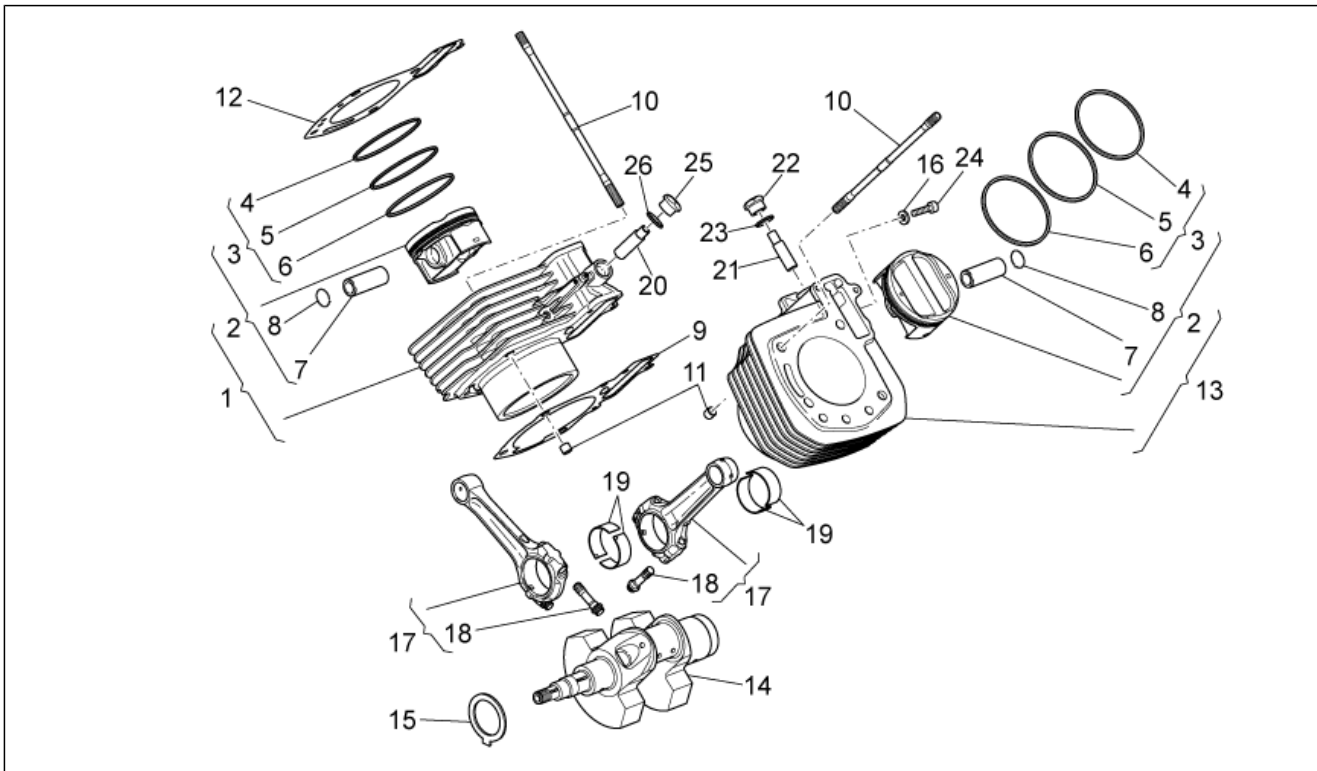
Groep	ENGINE
Code	34.51
Beschrijving	LH cylinder timing system
Revisie	1



Pos.	Code	Beschrijving	Aant.	Varianten
29	B013479	Bedekking ontluchting cpl.	1	
30	GU98622214	Bout	2	
31	976341	Distributieketting	1	
32	976338	Glijvlak van de ketting	1	
33	976337	Glijvlak kettingspanner	1	
34	878868	Bout afstandhouder M8	1	
35	GU95129100	Elastische sluitring 5,3X10X0,5	2	
36	879708	Bout register kleppen	4	
37	879709	Pastille	4	



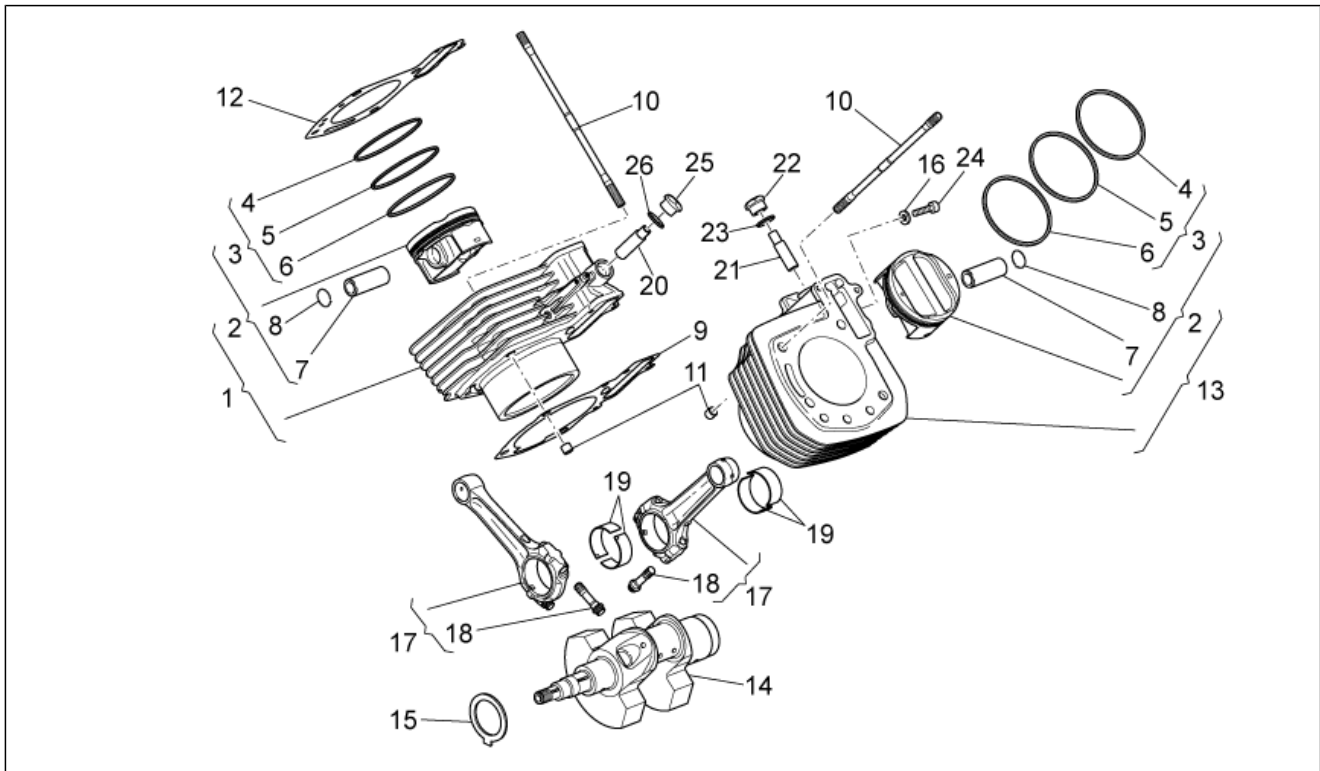
Groep	ENGINE
Code	34.52
Beschrijving	Drive shaft - Cylinder
Revisie	1



Pos.	Code	Beschrijving	Aant.	Varianten
1	981008	Cilinder met zuiger cpl.re	1	
2	873667	Zuiger D95 cpl	2	
3	981009	Kit elastische banden	2	
4	874287	Elast. band bov.	2	
5	874288	Elastische tussenband	2	
6	874289	Elast. band olieschraap	2	
7	874286	Zuigerpen	2	
8	874567	Blokkeerring	4	
9	976312	Pakking basis cilinder	2	
10	878275	Stiftbout	8	
11	825597	Plug 11,8X10	4	
12	874621	Pakking kop 0,65 mm	2	
12	874622	Pakking kop 0,85 mm	2	
12	976311	Pakking kop 1,05 mm	2	
13	981007	Cilinder met zuiger cpl.li	1	
14	B0133785	Crankshaft assembly	1	
15	874293	Schraapring	1	
16	GU95100116	Sluitring 6,25x10x1,5	1	
17	878339	Drijfstang cpl.	2	
18	849131	Bout drijfstang	4	
19	875243	Halfdop kussenblok 1,535-1,540	4	Technical specification:Segno rosso[RS]
19	875244	Halfdop kussenblok 1,539-1,544	4	Technical specification:Segno blu[BS]
20	873689	Kettingspanner re	1	
21	873690	Kettingspanner li	1	
22	976342	Dop kettingspanner	2	
23	849866	Sluitring	2	
24	GU98350310	Bolbout met binnenzeskant M6x20	1	
25	879404	Dop kettingspanner	2	

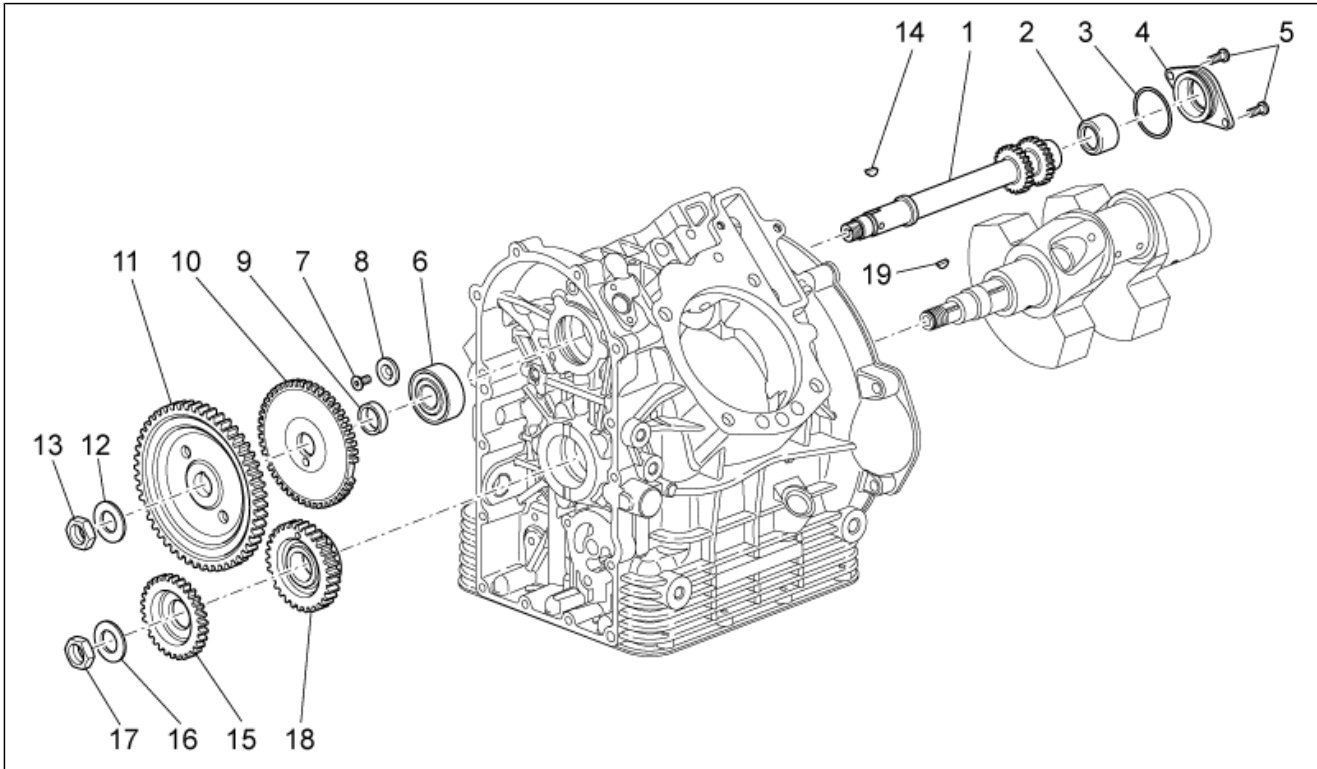


Groep	ENGINE
Code	34.52
Beschrijving	Drive shaft - Cylinder
Revisie	1



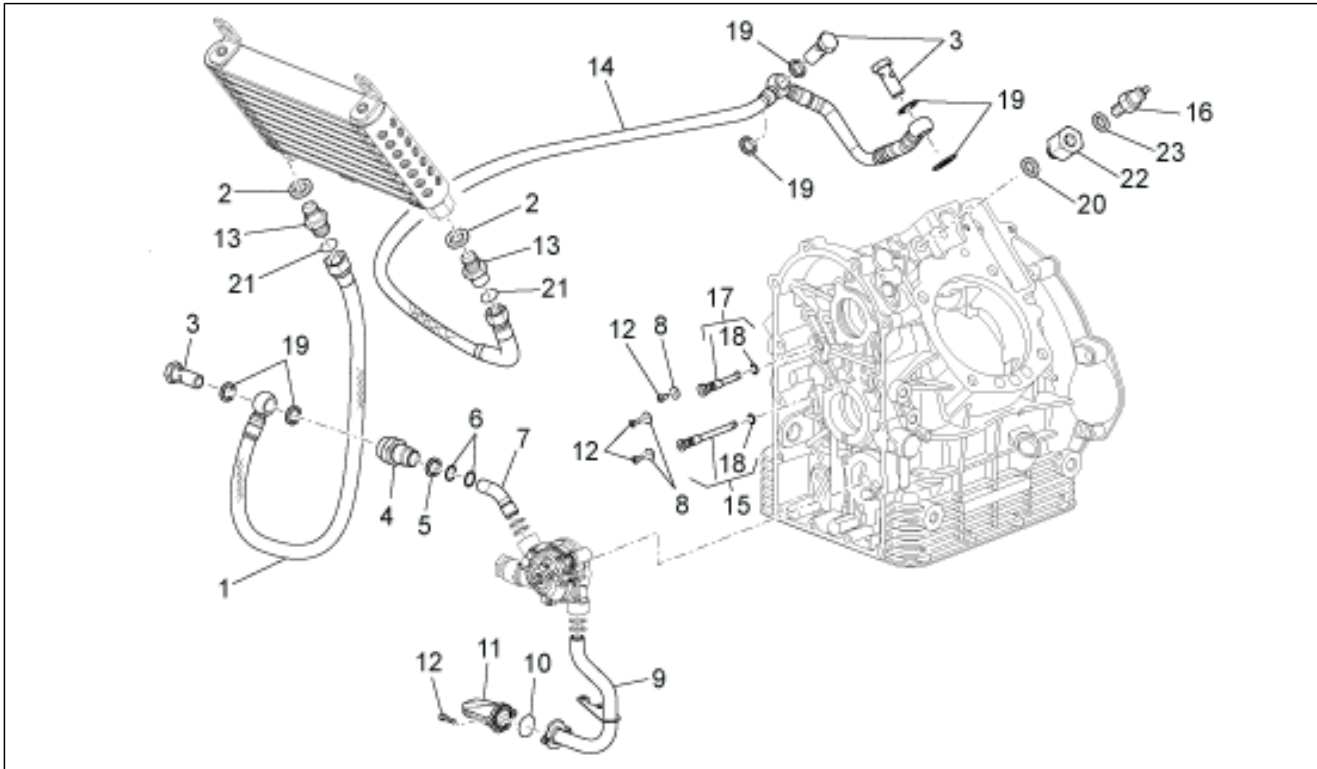
Pos.	Code	Beschrijving	Aant.	Varianten
26	879405	Rondeel	1	

Groep	ENGINE
Code	34.53
Beschrijving	Timing system
Revisie	1



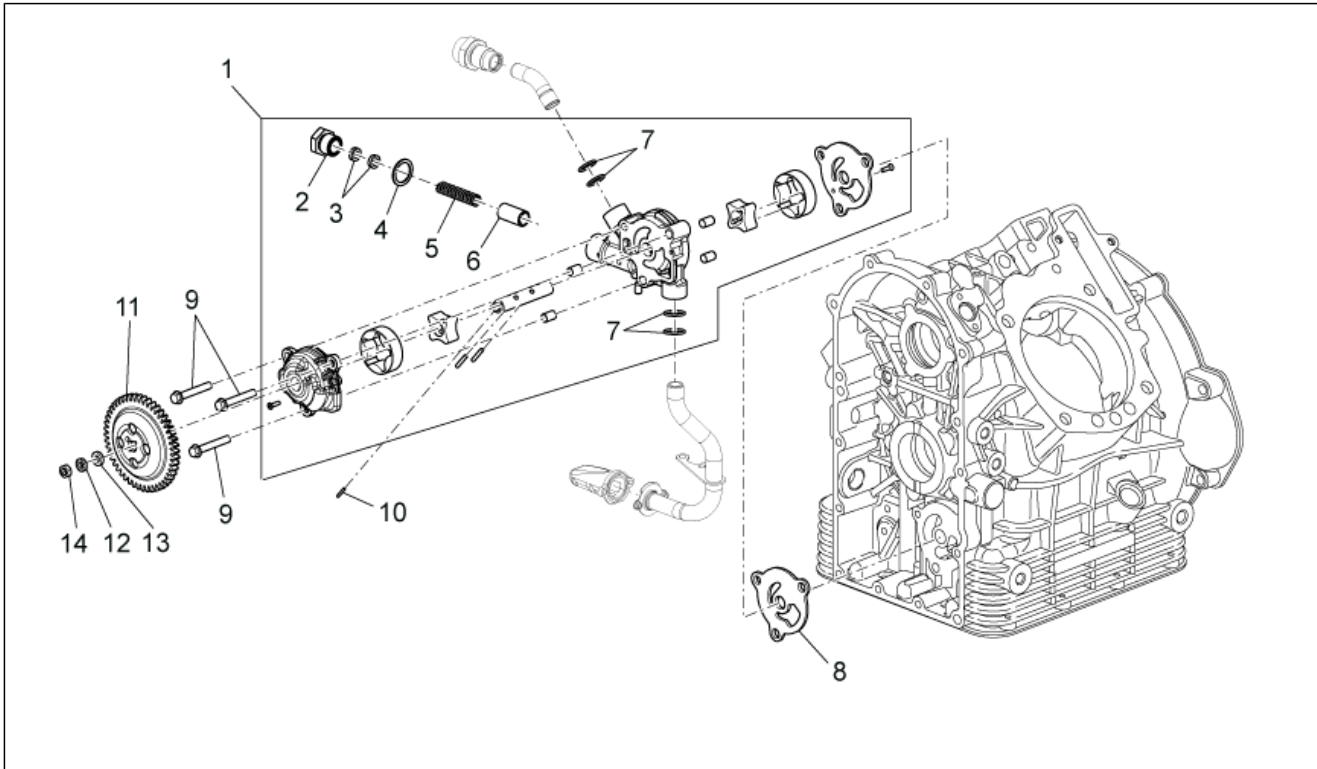
Pos.	Code	Beschrijving	Aant.	Varianten
1	976330	Distrib.as	1	
2	976381	Rollenkooi 25x32x12	1	
3	976488	OR-ring 37,82x1,78	1	
4	976331	Flens	1	
5	GU98350315	Bolbout met binnenzeskant	2	
6	976355	Kogellager 20x47x18	1	
7	AP8152166	Bout M6x16	1	
8	873928	Rondeel	1	
9	976334	Afstandhouder	1	
10	976538	Geluidswiel	1	
11	874281	Raderw.distrib.	1	
12	GU14433400	Elastische sluitring 19x34x1,5	1	
13	829232	Moer M18x1,5	1	
14	GU91600450	Sluitwig	1	
15	8787074	Raderw.aandr.oliepomp	1	
16	976665	Bekerveer	1	
17	976649	Moer M25x1,5	1	
18	874280	Raderw. geleidend	1	
19	GU91600365	Sluitwig 3x6,5	1	

Groep	ENGINE
Code	34.54
Beschrijving	Lubrication
Revisie	1



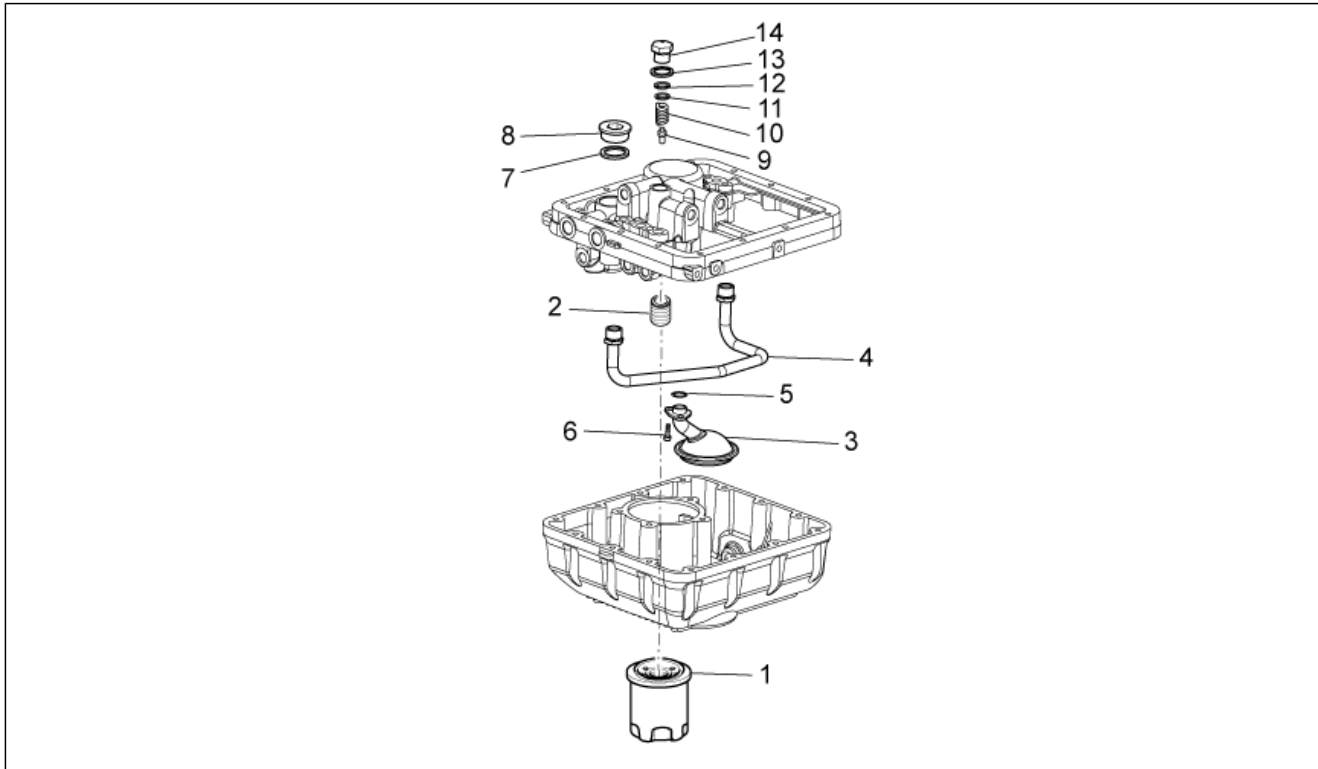
Pos.	Code	Beschrijving	Aant.	Varianten
1	978895	Leiding olietoevoer	1	
2	GU01154230	Pakking in aluminium	2	
3	874223	Geperfor. bout	3	
4	874669	Nippel	1	
5	976592	Pakking	1	
6	434947	OR-ring 12,42x1	2	
7	874646	Olieleiding	1	
8	013763	Vlakke rondeel 4,2x12x1	3	
9	874645	Buis aanzuiging	1	
10	969323	OR-ring	1	
11	874655	Oliefilter aanzuiging	1	
12	581957	Bout	5	
13	GU01161331	Reductie	2	
14	976625	Leiding olietoevoer	1	
15	976680	Straalpijp li	1	
16	641541	Oil pressure sensor	1	
17	976681	Straalpijp re	1	
18	874238	OR-ring	4	
19	976597	Pakking in koper	6	
20	GU12006400	Pakking in aluminium 12,25	1	
21	899064	O-ring	4	
22	887123	Verbinding M12x1,5	1	
23	AP9150472	Pakking in aluminium 10,5x17x1,5	1	

Groep	ENGINE
Code	34.55
Beschrijving	Oil pump
Revisie	1



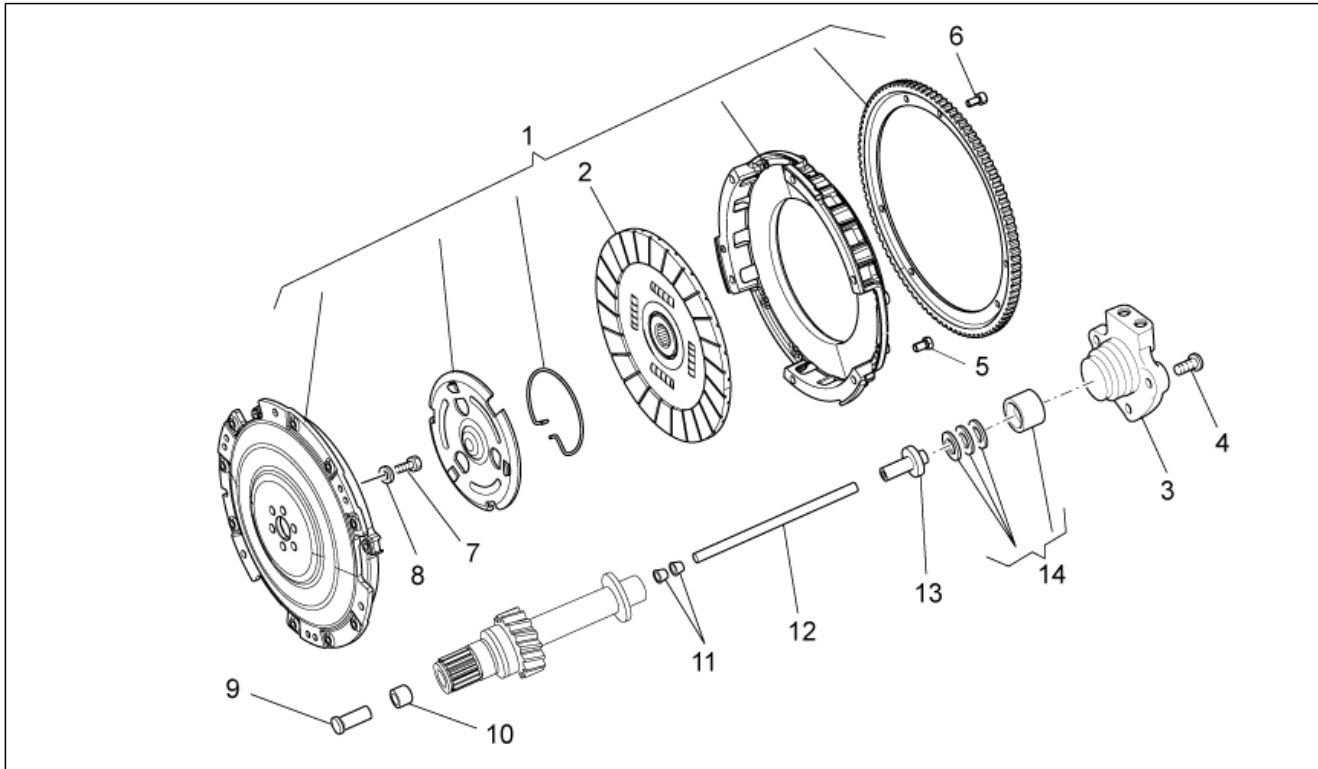
Pos.	Code	Beschrijving	Aant.	Varianten
1	8746505	Oliepomp cpl.	1	
2	GU31159050	Dop	1	
3	GU30158900	Sluitring	2	
4	GU18144350	Sluitring 18,25x24x1	1	
5	829486	Veer	1	
6	829661	Klep oliedruk	1	
7	237553	OR-ring	4	
8	874482	Pakking	1	
9	414835	Bout	3	
10	874801	Plug 2x13,8	1	
11	877101	Raderwerk oliepom	1	
12	GU03013800	Sluitring 6,4x12	1	
13	GU95005306	Sluitring 6,4x13x1,5	1	
14	873906	Moer laag	1	

Groep	ENGINE
Code	34.56
Beschrijving	Oil filters
Revisie	1



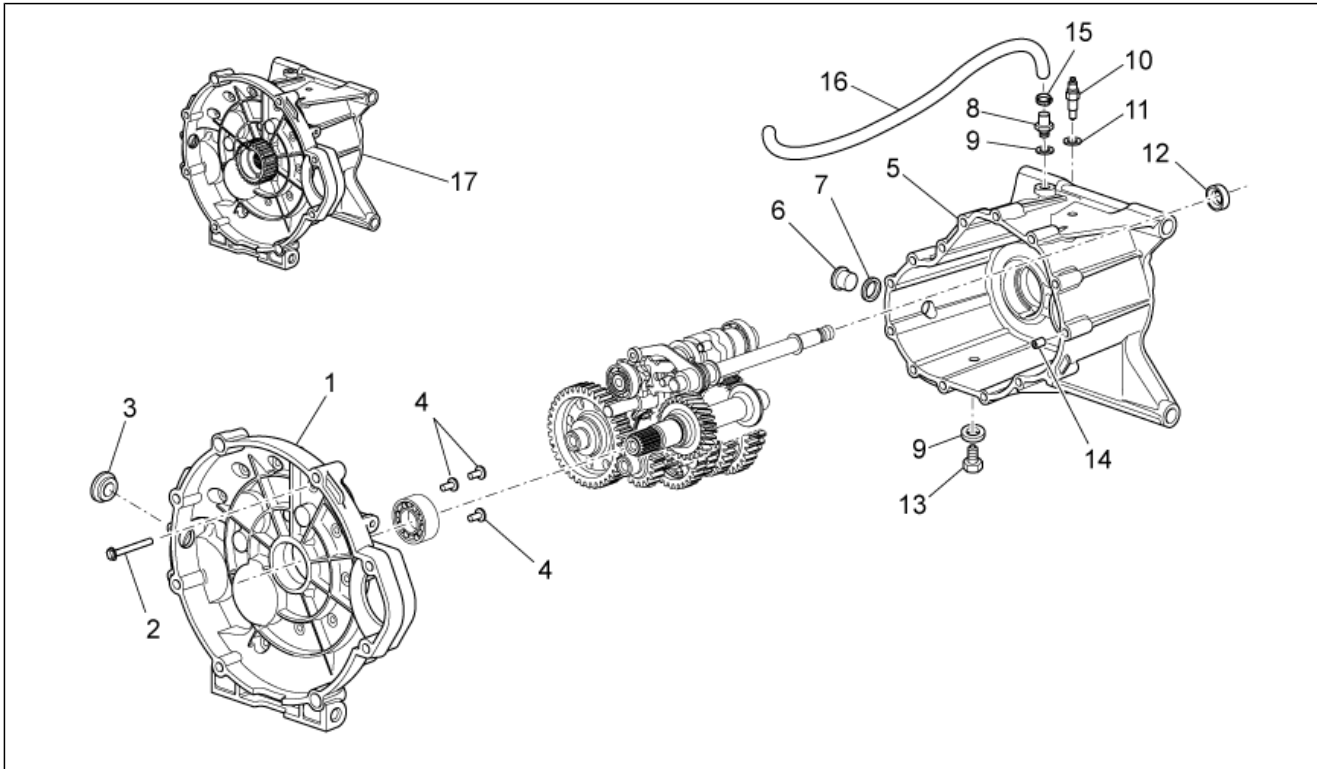
Pos.	Code	Beschrijving	Aant.	Varianten
1	GU30153000	Oliefilter	1	
2	829122	Verbinding oliefilter	1	
3	GU05152230	Oliefilter	1	
4	GU05005730	Buis	1	
5	GU90706151	O-ring 15,08x2,62viton	1	
6	877820	Binnenzeskantbout M6x18	2	
7	976636	Pakking in koper	1	
8	976635	Dop	1	
9	GU30150900	Zuigertje	1	
10	GU94321077	Veer	1	
11	GU95008206	Sluitring 6,15x11x0,8	2	
12	GU30158900	Sluitring	1	
13	GU18144350	Sluitring 18,25x24x1	1	
14	GU31159050	Dop	1	

Groep	ENGINE
Code	34.57
Beschrijving	Clutch
Revisie	1



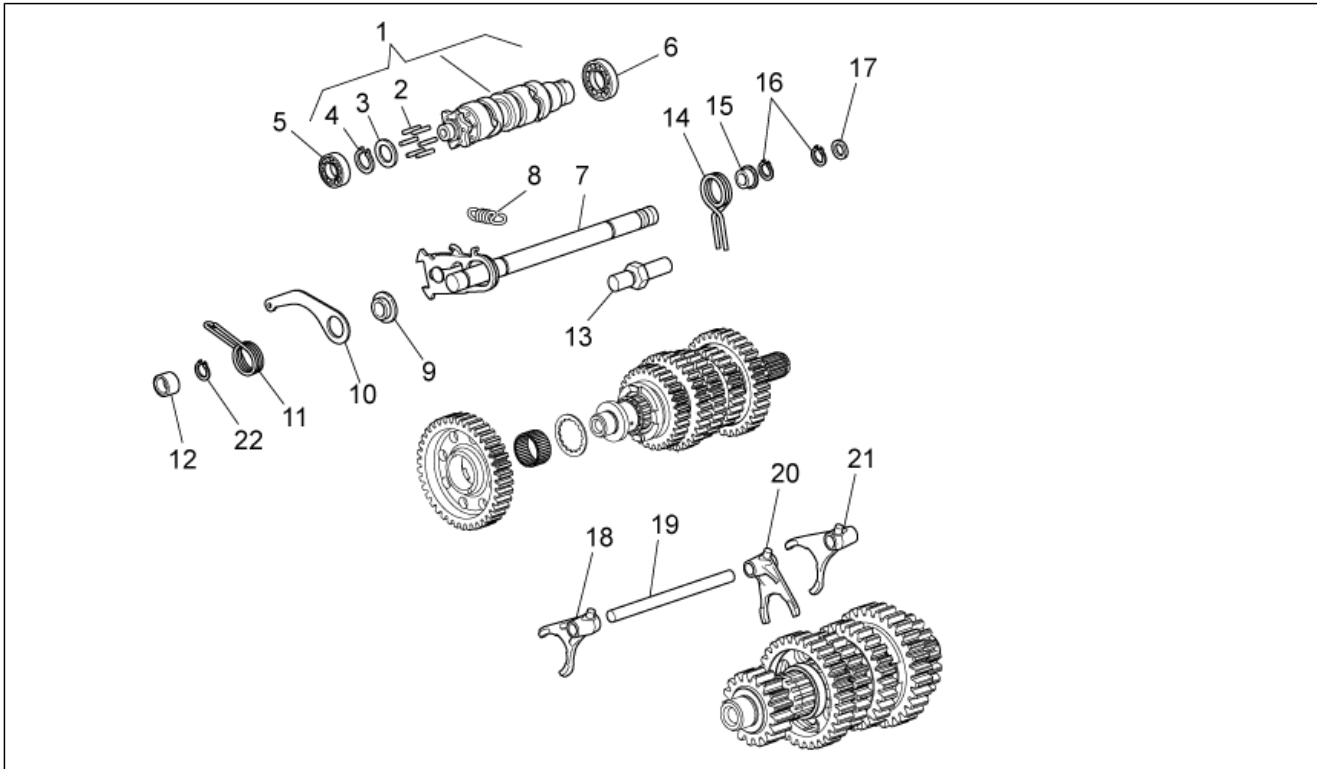
Pos.	Code	Beschrijving	Aant.	Varianten
1	976695	Koppeling cpl.	1	
2	976053	Koppelingsschijf	1	
3	978739	Cilinder commando koppeling	1	
4	598839	Zeskantbout geflenst	3	
5	976535	Binnenzeskantbout M7x16	6	
6	GU98230612	Bout	6	
7	976481	Zeskantbout geflenst	6	
8	976484	Elastische conische sluitring 8,2X15	6	
9	B013036	Bekertje commando koppeling	1	
10	976564	Beslagring	1	
11	GU14085900	Huls	2	
12	976593	StAAF L=mm183	1	Technical specification:
12	976594	StAAF L=mm184,5	1	Technical specification:
12	976595	StAAF L=mm186	1	Technical specification:
12	976596	StAAF L=mm187,5	1	Technical specification:
13	GU14086000	Tussenromp	1	
14	976696	Kit lager drukst.	1	

Groep	ENGINE
Code	34.58
Beschrijving	Transmission cage
Revisie	1



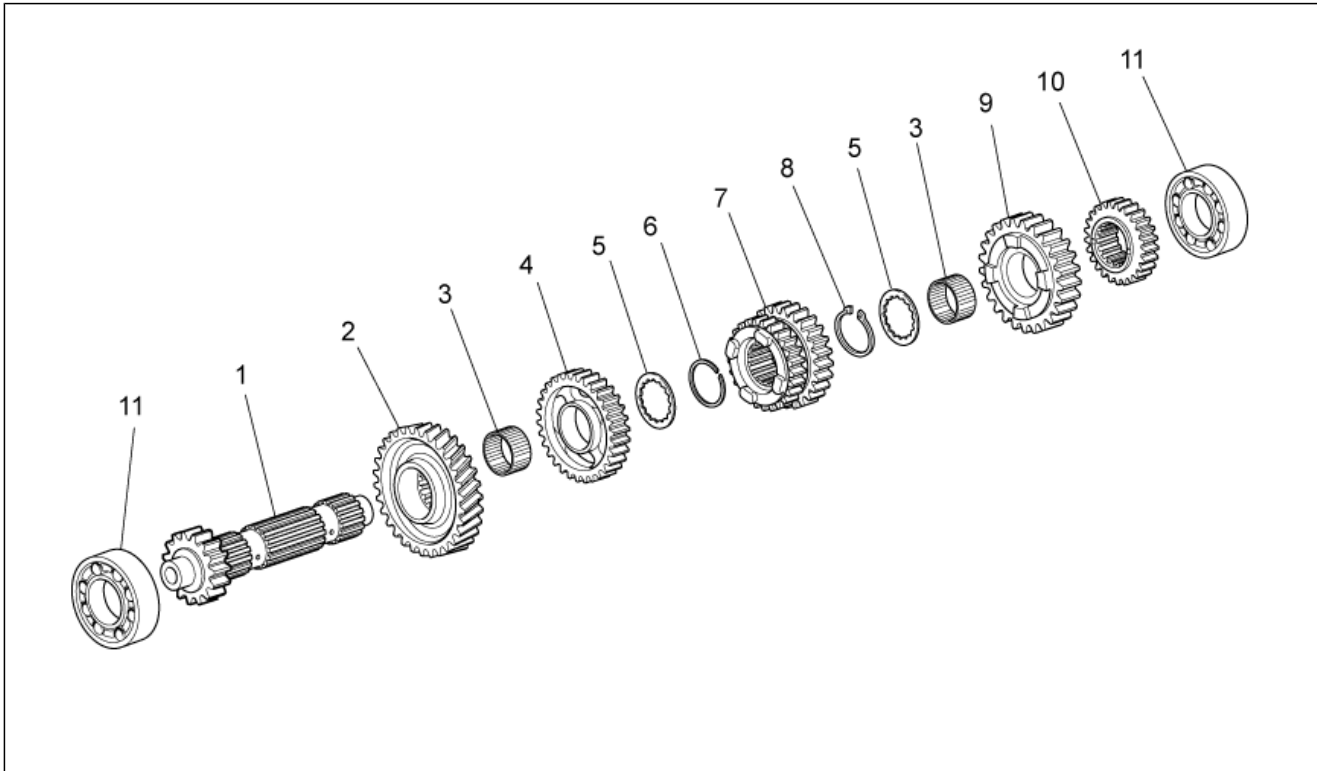
Pos.	Code	Beschrijving	Aant.	Varianten
1	879871	Koppelingsblok	1	
2	GU97202355	Zeskantbout geflenst M6x55	14	
3	GU93180220	Dop	1	
4	GU98370616	Bolbout met binnenzeskant	3	
5	879869	Doos versn.bak	1	
6	GU95980319	Oliedop M18x1,5	1	
7	GU18144350	Sluitring 18,25x24x1	1	
8	GU05204930	Dop ontluchting	1	
9	GU01528930	Pakking 10x18x1,5	2	
10	GU19207220	Sensor vrij	1	
11	GU12154200	Pakking 8,25x15x1	1	
12	GU90401424	Dichtingsring 14x24x7	1	
13	GU31003766	Afvoerdop olie M10x1	1	
14	GU19002020	Beslagring 6,6x9x13	2	
15	AP8101595	Klemmetje D10,1*	1	
16	AP8120952	Benzineleiding 5,5x10	1	
17	976985	Versnellingsbak cpl.	1	

Groep	ENGINE
Code	34.59
Beschrijving	Gear box selector
Revisie	1



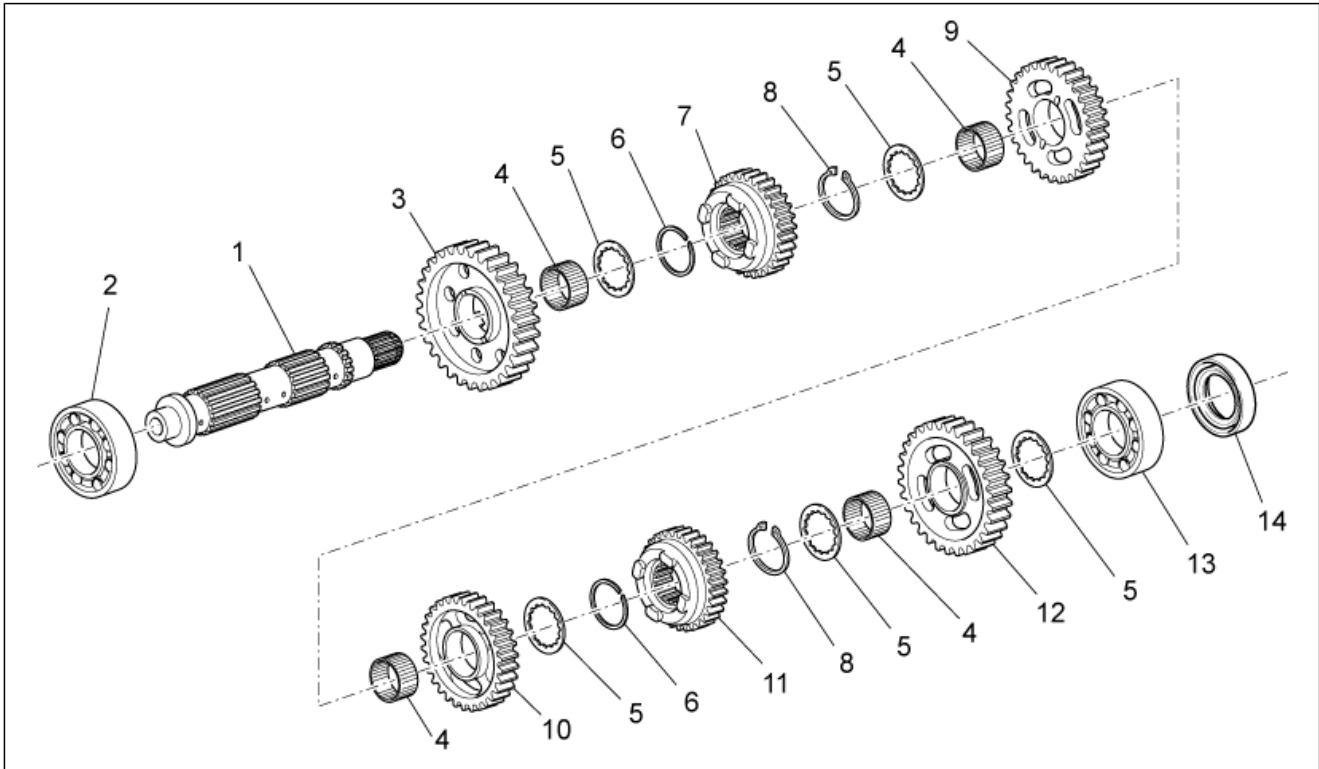
Pos.	Code	Beschrijving	Aant.	Varianten
1	GU05234431	Shift cam cpl.	1	
2	GU05234631	Pin	6	
3	GU05235531	Dikte	1	
4	GU90271022	Seegerring	1	
5	GU92201117	Kogellager 17x35x10	1	
6	GU92201025	Kogellager 25x42x9	1	
7	GU05236231	Voorschakelaar cpl.	1	
8	GU05238231	Veer	1	
9	GU05238431	Beslagring	1	
10	GU05234731	Hendel Index	1	
11	GU05234130	Veer	1	
12	GU05234230	Afstandhouder	1	
13	GU05234931	Pin koppeling	1	
14	GU05238331	Veer	1	
15	GU05238131	Afstandhouder	1	
16	GU90271014	Seegerring	2	
17	GU05239330	Koppelschotel	1	
18	GU05230531	Vork 1a-3a	1	
19	GU05232431	As vork	1	
20	GU05232631	Vork 5a-6a	1	
21	GU05230831	Vork 2a-4a	1	
22	GU90353014	Seegerring	1	

Groep	ENGINE
Code	34.60
Beschrijving	Primary gear shaft
Revisie	1



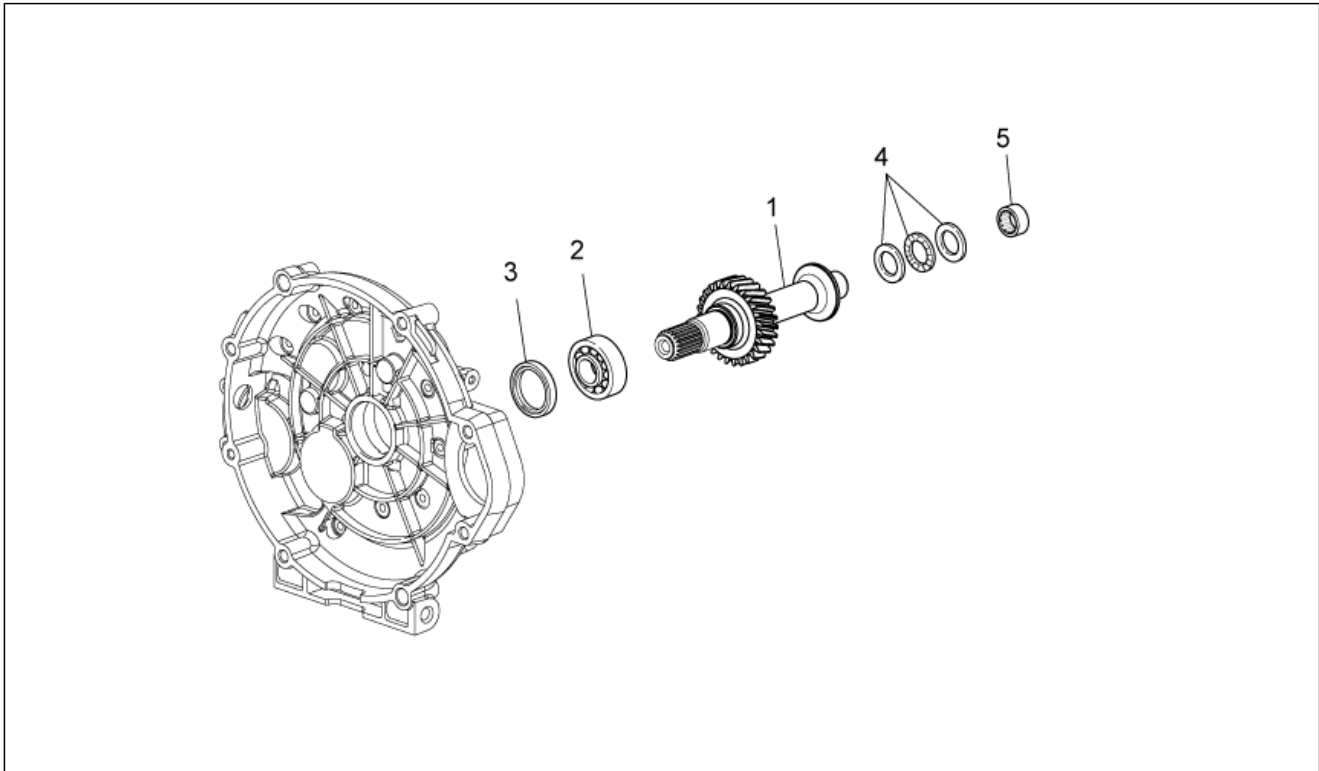
Pos.	Code	Beschrijving	Aant.	Varianten
1	GU05210631	Primaire as Z=17	1	
2	GU05215631	Raderw.transmissie Z=35	1	
3	GU92252029	Rollenkooi 26x30x15,6	2	
4	GU05212031	Raderwerk 5a Z=31	1	
5	GU05214630	Steunende sluitring	2	
6	GU90271230	Elastische ring 30x1,2SW	1	
7	GU05211431	Raderwerk 3a-4a Z=23-26	1	
8	GU90271030	Elastische ring 30x27,9	1	
9	GU05212631	Raderwerk 6a Z=29	1	
10	GU05211331	Raderwerk 2a Z=20	1	
11	GU92201822	Kogellager 20x52x15	2	

Groep	ENGINE
Code	34.61
Beschrijving	Driven shaft
Revisie	1



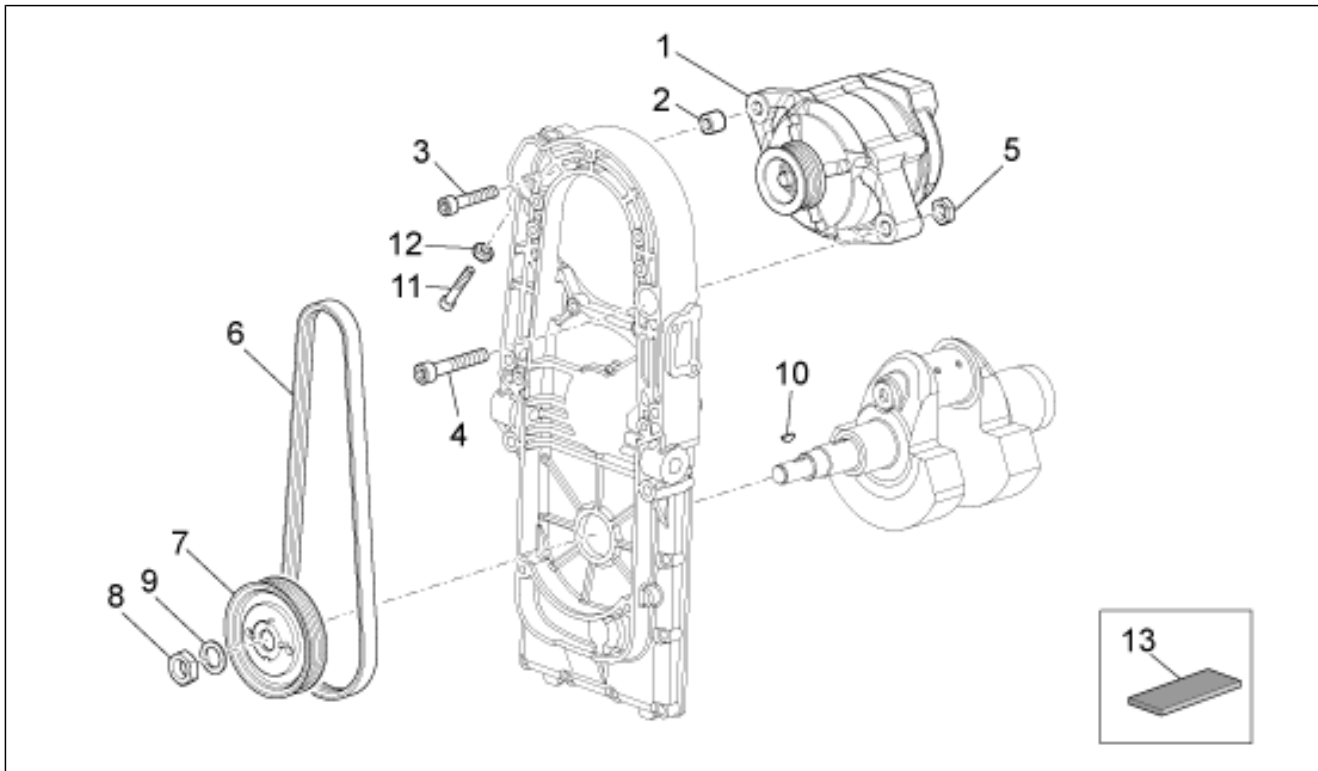
Pos.	Code	Beschrijving	Aant.	Varianten
1	GU05213631	Secundaire as	1	
2	GU92201822	Kogellager 20x52x15	1	
3	GU05214231	Raderwerk 1a Z=38	1	
4	GU92252029	Rollenkooi 26x30x15,6	4	
5	GU05214630	Steunende sluitring	5	
6	GU90271230	Elastische ring 30x1,2SW	2	
7	GU05214031	Raderwerk 5a Z=30	1	
8	GU90271030	Elastische ring 30x27,9	2	
9	GU05214731	Raderwerk 3a Z=31	1	
10	GU05215031	Raderwerk 4a Z=29	1	
11	GU05220531	Raderwerk 6a Z=25	1	
12	GU05214431	Raderwerk 2a Z=34	1	
13	GU92201226	Kogellager 25x52x15	1	
14	GU90412541	Dichtingsring 25X40X7	1	

Groep	ENGINE
Code	34.62
Beschrijving	Clutch shaft
Revisie	1



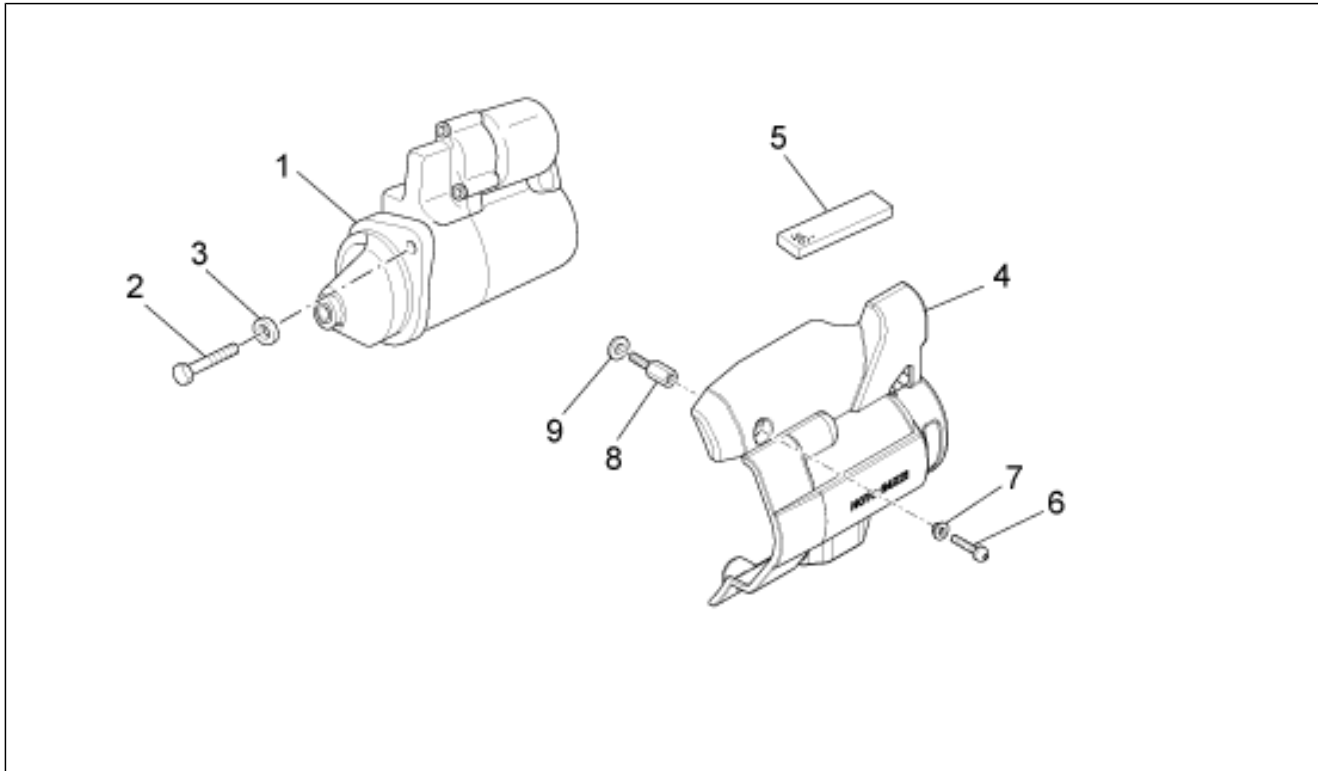
Pos.	Code	Beschrijving	Aant.	Varianten
1	976351	Koppelingsas Z=24	1	
2	GU92201226	Kogellager 25x52x15	1	
3	976533	Dichtingsring 25x47x7	1	
4	976532	Lager drukt.	1	
5	GU92232028	Rollager 20x28x13	1	

Groep	ENGINE
Code	34.63
Beschrijving	Current generator
Revisie	1



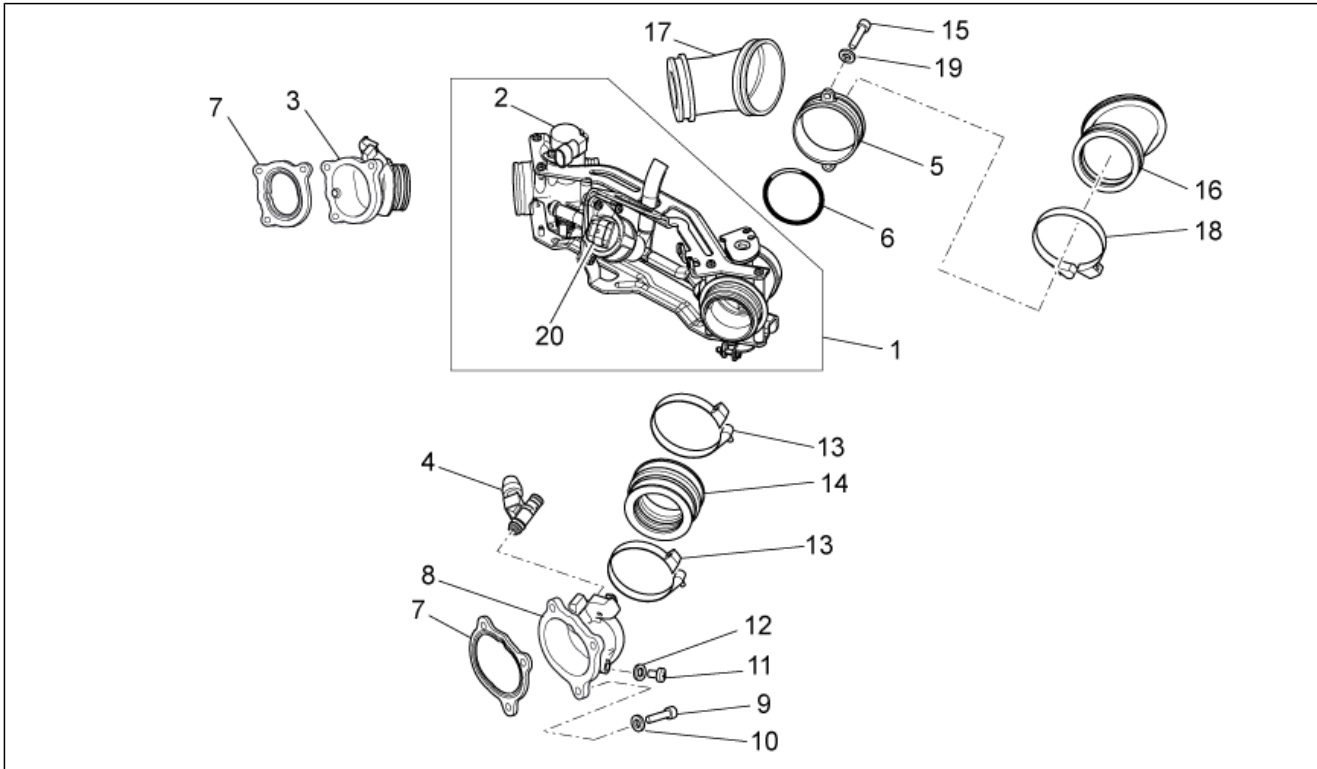
Pos.	Code	Beschrijving	Aant.	Varianten
1	886255	Alternator	1	
2	GU91180823	Afstandhouder 8,5x17x13	1	
3	GU98620445	Binnenzeskantbout M8x45	1	
4	GU98620560	Binnenzeskantbout M10x60	1	
5	GU92660012	Moer M10X1,5	1	
6	GU05702530	Riem	1	
7	GU05701430	Poelie comando alternator	1	
8	GU92606516	Moer M16	1	
9	GU30714201	Sluitring 16,25x24,5x5	1	
10	GU4FAN000030	Sluitwig vliegwielmagneet	1	
11	GU98230850	Bolbout met binnenzeskant M8x50	1	
12	GU92605408	Moer M8x1,25	1	
13	883127	Rubber 5mm	1	

Groep	ENGINE
Code	34.64
Beschrijving	Starter motor
Revisie	1



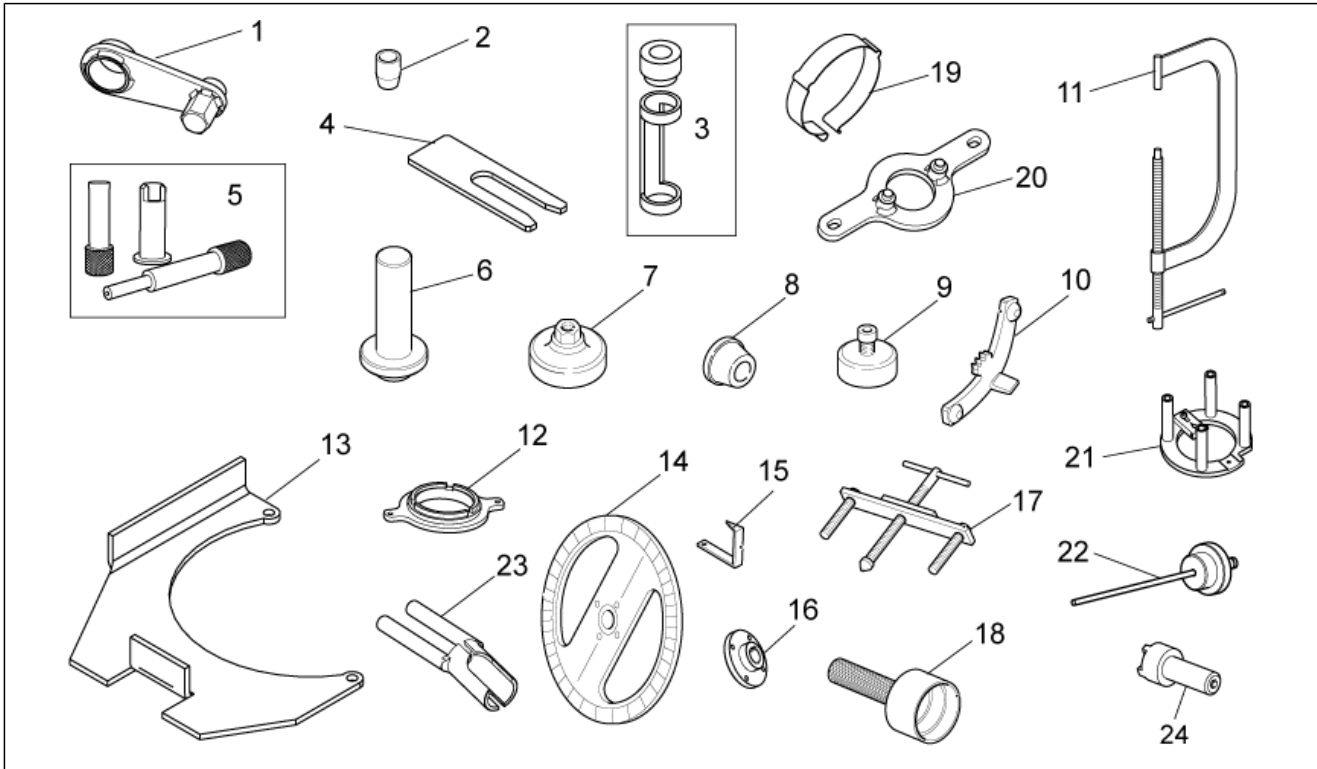
Pos.	Code	Beschrijving	Aant.	Varianten
1	GU05730730	Startmotor Bosch	1	
2	GU98082475	Zeskantbout M8x75	2	
3	GU95008208	Sluitring 8,4X15X1,5	2	
4	886857	Engine cover	1	
5	AP8117200	Kleefpons	1	
6	GU98370609	Bolbout met binnenzeskant M6x10	2	
7	AP8121032	Huls	2	
8	GU03469201	Kolommetje	2	
9	GU03013800	Sluitring 6,4x12	1	

Groep	ENGINE
Code	34.65
Beschrijving	Throttle body
Revisie	1



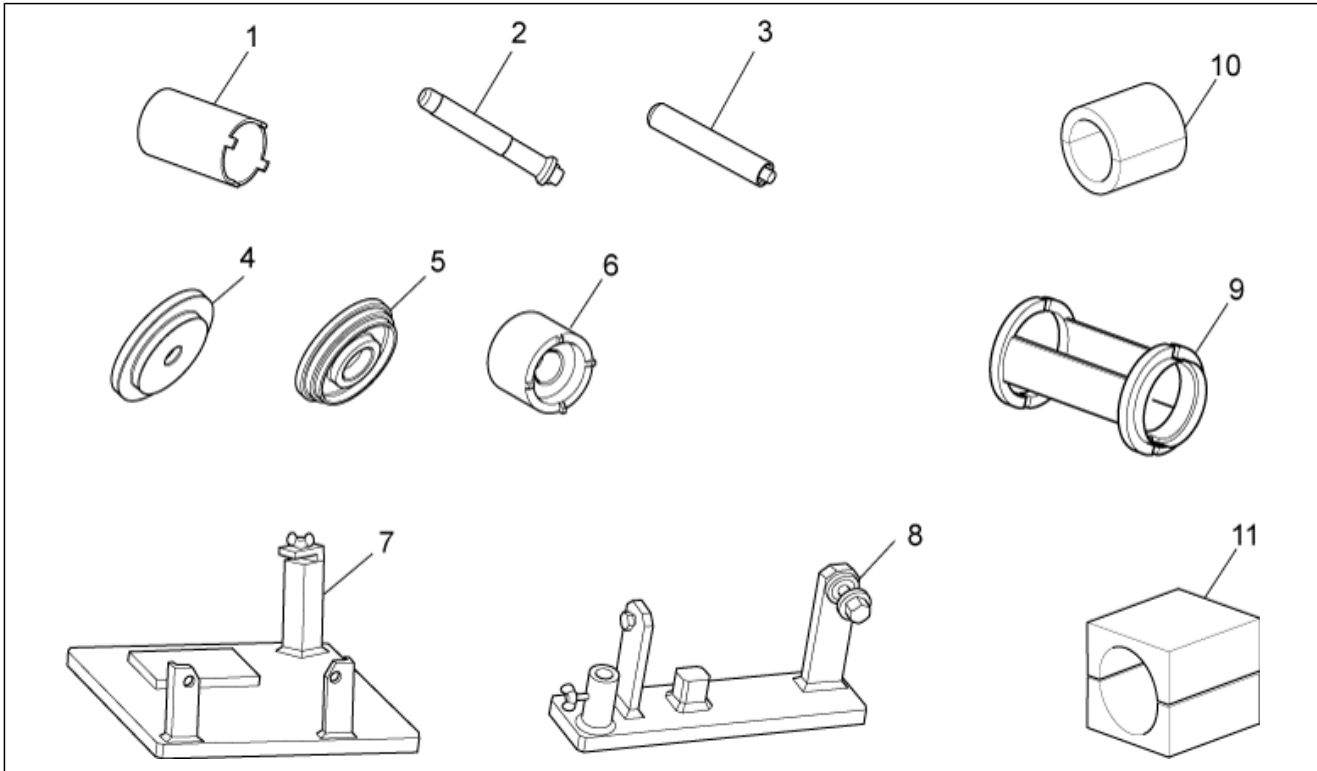
Pos.	Code	Beschrijving	Aant.	Varianten
1	880270	Vlinderromp	1	
2	981010	Potentiometer	1	
3	879878	Pijp aanz. re	1	
4	CM074706	Injector cpl.	2	
5	976498	Flens	2	
6	976566	OR-ring 53,7x1,78	2	
7	873879	Inl. manifold gasket	2	
8	879877	Pijp aanz. li	1	
9	GU98882325	Binnenzeskantbout verl. M6x25 M6x25	6	
10	GU95008206	Sluitring 6,15x11x0,8	6	
11	GU98350310	Bolbout met binnenzeskant M6x20	2	
12	GU95100116	Sluitring 6,25x10x1,5	2	
13	GU93305061	Klemmetje 61/65,5	4	
14	873861	Mof	2	
15	GU98682212	Binnenzeskantbout M5x12	2	
16	877057	Aanzuigmof re	1	
17	877056	Aanzuigmof li	1	
18	GU93306050	Klein bandje 50x90x9	2	
19	GU95008305	Sluitring 5,3X10X1	2	
20	896540	Motortje regeling minimum	1	

Groep	SPECIAL TOOLS
Code	36.67
Beschrijving	Specific tools I
Revisie	1



Pos.	Code	Beschrijving	Aant.	Varianten
1	020677Y	Gereedschap spanning riem	1	
2	GU05911730	Conus invoer bedekking voor.	1	
3	AP9100838	Gereedschap veerdrukker klep	1	
4	020716Y	Blokking drijfslag	1	
5	020470Y	Gereedschap Mont. blokk. zuigerpennen	1	
6	GU05927230	Drevel oliekeerring bedekking	1	
7	GU01929100	Bedekking carter en filter	1	
8	GU12912000	Flens op drijfvas	1	
9	GU14927100	Dichting flens zijde vliegwiel	1	
10	GU12911801	Blockk.vliegwiel/startkroon.	1	
11	AP8140179	Boogje mont./demont.kleppen	1	
12	020672Y	Cent.veerdrukker koppeling	1	
13	GU05902530	Steun voor doos versn.bak	1	
14	GU19929600	Schijf fase distrib.ontst.	1	
15	GU17947560	Pijl fase distrib.ontst.	1	
16	020673Y	Naaf voor gegrad.schijf	1	
17	GU12913600	Demont./mont.flens zijde vliegwiel	1	
18	GU19927100	Dichtingsring flens vliegwiel	1	
19	020674Y	Bandklem	1	
20	020675Y	Blokk.ing.dienstas	1	
21	020676Y	Houder comparator pos.zuiger	1	
22	020678Y	Gereedschap controle koppelingsstaaf	1	
23	020689Y	Tang extractie kapje bougie	1	
24	GU14912603	Sleutel	1	

Groep	SPECIAL TOOLS
Code	36.68
Beschrijving	Specific tools II
Revisie	1



Pos.	Code	Beschrijving	Aant.	Varianten
1	AP8140190	Gereedschap voor sluiting stuur	1	
2	GU05902732	Greep voor buffers	1	
3	GU05902733	Buffer dichting sfeerv.buigpunt	1	
4	GU05902731	Buffer oliekeerring transm.doos 85	1	
5	GU05902735	Buffer oliekeerring rondsel 45x58	1	
6	GU05902734	Sleutel voor moer rondsel	1	
7	GU05902730	Houder transm.doos	1	
8	GU05902736	Houder conisch koppel	1	
9	AP8140758	Montage oliekeerring vork	1	
10	AP8140146	Gewicht voor gereedschap AP8140189	1	
11	AP8140149	Besch.handelingen demont.	1	